

# KIT | MOBILE OIL TESTER (MOT)

Product No.: OQ-MOT-I-G2



## PRODUCT DESCRIPTION

The Mobile Oil Tester (MOT) kit enables field testing of oil condition and is ideal for workshops, maintenance depots and mobile maintenance crews.

The kit is built around the OQSx-G2 oil condition monitoring sensor which connects to any PC or Lap Top operating the Tan Delta CADS application (included).

Any oil sample can be instantly tested and its precise condition determined.

## KEY FEATURES

### • ALL YOU NEED

Everything your service engineers need to undertake instant oil analysis in one place.

### • PORTABLE

The MOT Kit is fully portable - ideal for the workshop and for field maintenance crews.

### • ROBUST & RUGGED

Housed within a rugged industrial quality IP67 rated case, ideal for throwing in the back of your service vehicle and carrying on site.

### • INSTANT RESULTS

Instant diagnosis of potential issues with the ability to store trend data.

### • FULLY CONFIGURABLE

Suitable for use in any commercial or industrial environment, the MOT Kit allows accurate testing of any oil or fuel oil.

### • INDEPENDENTLY TESTED

Has undertaken rigorous independent testing to verify the outstanding performance in a wide variety of applications.

## BENEFITS

Every equipment operator knows that machine monitoring enables effective management and thus increased reliability, efficiencies and profits. Oil condition monitoring with Tan Delta takes this to a new level through much greater insight into the real condition of your equipment. Delivering significantly enhanced financial and operating benefits.

### • IMPROVE SAFETY

Ensures your equipment is in optimal condition making a safer working environment.

### • REDUCE LAB ANALYSIS

Immediate real-time data allows you to make on-site maintenance decisions instead of waiting for costly and time-consuming lab analysis results.

### • ROBUST ENVIRONMENTAL SPECIFICATION

The OQSx-G2 oil condition sensor is proven around the world for use in even the most extreme industrial and commercial applications.

## TECHNICAL DATA

### PRODUCT INFORMATION

Name	Mobile Oil Tester (MOT) Kit
Product Number	OQ-MOT-1-G2

### PHYSICAL

Buoyancy Maximum	9.1kg
Security	Stainless steel padlock hasps
Weight	3kg
Handle	Single, fold down, rubber over-moulded handle.
Features	Automatic pressure equalisation valve, rubber 'O-Ring' seal, solid wall design, scratch resistant.

### OIL QUALITY DETECTION PARAMETERS

Frequency	15 per second
Sensitivity	10ppm / 0.001%
Accuracy	+/-0.5%
Elements	All wear and contamination

### SYSTEM REQUIREMENTS

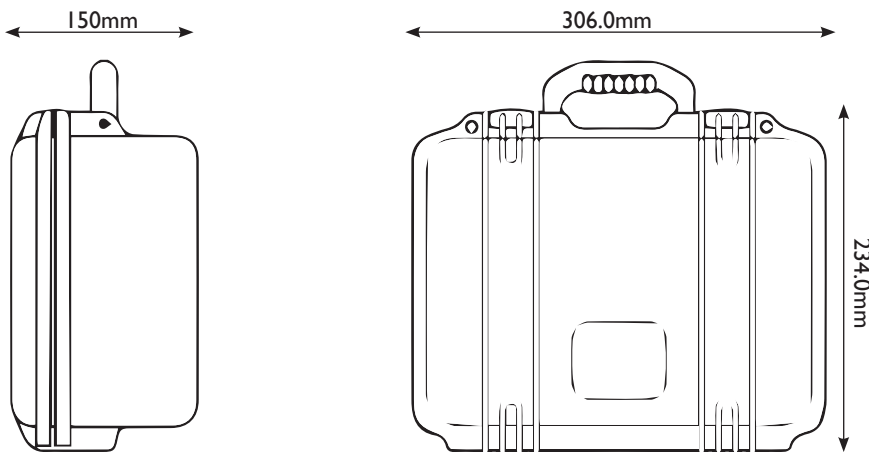
Operating System	Windows 7, Windows 8, Windows 10
Minimum Space	100Mb
Internet Connection	Optional for application and database updates

### STANDARDS & CERTIFICATION

Water & Dust	IP67 when connected
Shock & Vibration	BS EN 60068-2-30 (Test Db - Cyc.Hum.) BS EN 60068-2-6 (Test Fc - Sine Vib.) BS EN 60068-2-27 (Test Ea - Mech. Shock)
EMC	EN 61000-6-4:2007 (Generic Emissions Standard for Industrial Environments) EN 61000-6-2:2005 (Generic Immunity Standard for Industrial Environments) EN 61000-6-2:2007 (Generic Immunity Standard for Industrial Environments) Case Protection: Waterproof, Crush-proof, Dustproof, Corrosion-proof Case Certification: IP67, Stanag 4280 / Defstan 81-41, MIL C-1450-J, ATA

Kit Contents	Oil Quality Sensor (OQSx-G2) Bottle Adapter 5 x Sample Bottles Sampling Software & Oil Database Cleaning Solvent Pelicase Configuration Cable Instructions
--------------	---

## DIMENSIONS



## WHY TAN DELTA

Tan Delta's advanced real-time oil condition monitoring is used by equipment owners around the world to improve reliability and reduce costs. Our core FSH technology delivers exceptional real-time oil analysis and condition insight. From wind turbines and ships to mining trucks and railways, Tan Delta real-time oil condition monitoring solutions are proven to deliver substantial operational and financial benefits. Our products are easy to install and use on any equipment and are fully supported by our dedicated support team.



Tan Delta provide OEM equipment manufacturers with fully customised integrated and cost optimised solutions. Please contact us directly to discuss your oil condition requirements.