

# TORQUE SENSORS



LOAD CELL  
MANUFACTURER



This page was intentionally left blank



## 6100-6105

## REACTION TORQUE METERS (HIGH CAPACITIES)

Universal non-rotating torque meters combining accuracy and sturdiness.



### Features

- o Easy to install, compact design
- o Protection class: IP65
- o Material: stainless steel (6100), nickel-plated steel (6105)
- o Cable length: 3 m (other lengths available on request)
- o Also available as standard reference torque meters

### Most popular options (see more in ANNEX)



Ex i



Model 6105 - 10 000 N · m



### Application(s)

SENSY's torque meters 6100-6105 are perfectly designed for the following applications:

- Torque measurement on machines,
- Servo control or torque limitation industrial process,
- Torque wrench calibration,
- Torque measurement in laboratories.

### Capacities

6100 - 6105: 300 - 500 - 1000 - 2000 - 5000 - 10 000 N · m

Higher capacity on request

Specifications	0.25 %	
Combined error (non-linearity + hysteresis)	<± 0.25	% F.S.*
Repeatability error	<± 0.1	% F.S.*
Creep error over 30 min.	<± 0.1	% F.S.*
Zero shift after loading	<± 0.025	% F.S.*
Reference temperature	23	°C
Compensated temperature range	-10...+45	°C
Service temperature range	-25...+70	°C
Storage temperature range	-50...+85	°C
Temperature coefficient of the sensitivity	<± 0.05	% F.S./10°C
Temperature coefficient of zero signal	<± 0.035	% F.S./10°C
Zero balance	± 0.02	mV/V
Nominal sensitivity	1.5	mV/V
Sensitivity tolerance	<± 0.3	%
Input resistance	350 ± 2	ohm(s)
Output resistance	350 ± 2	ohm(s)
Insulation resistance (50 V)	> 5000	Mohm(s)
Reference excitation voltage	10	VDC
Permissible nominal range of excitation voltage	3...12	VDC
Safe load limit	130	% F.S.*
Breaking load	>300	% F.S.*
Permissible dynamic loading	50	% F.S.*

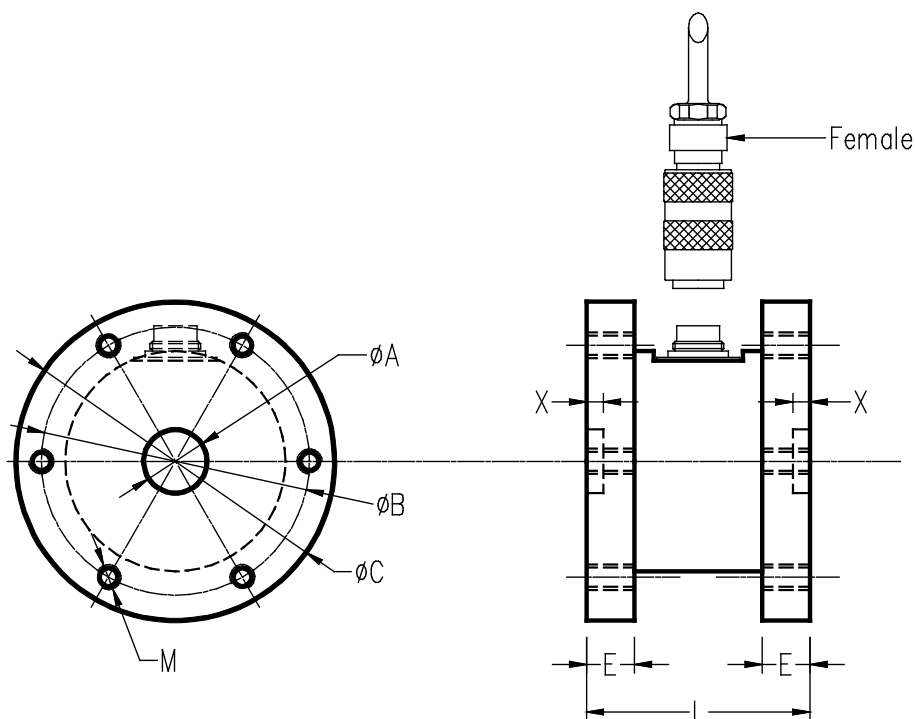
\* F.S. : Full Scale.

Specifications subject to change without notice..



ISO 9001 certified

6100-6105 > STANDARD DIMENSIONS



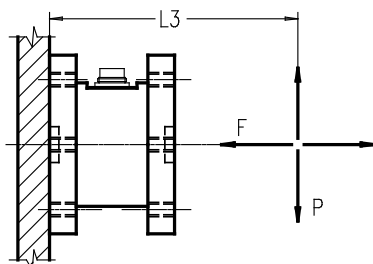
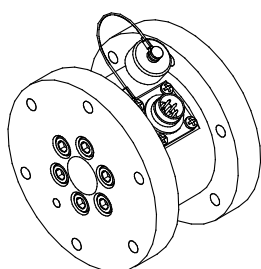
Ref. Item*	Capacities	ØA	ØB	ØC	E	L	M	X	F max (kN)	L3xP max (N x m)	Torsional stiffness (kN·m/rad)	Weight (kg)
610x-A	300 - 500 N·m	20 H7	84	99	15	70	M8 (6x60°)	10	7 - 12	80 - 170	170 - 215	2.2
610x-B	1 - 2 - 5 kN·m	20 H7	127	149	18	100	M12 (8x45°)	15	18 - 35 - 55	330 - 700 - 1300	220 - 600 - 1300	7.5
610x-C	10 kN·m	20 H7	150	179	25	120	M16 (8x45°)	15	84	2000	3400	12.8

\*x=Material: 6100 - stainless steel; 6105 - nickel-plated steel

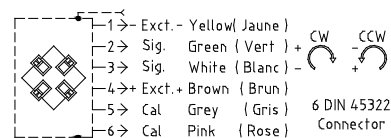
Other capacities and dimensions available on request

Dimensions in mm

Other views

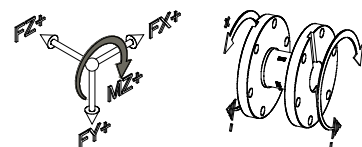


Wiring



Standard : Cable screen not connected to transducer / Faradisation non connectée au capteur

Load direction



Universal non-rotating torque meters combining accuracy and sturdiness.



Features

- Easy to install, compact design
- Protection class: see drawing table (IP)
- Materials: stainless steel (6200), nickel-plated steel (6205)
- Cable length: 3 m (other lengths available on request)
- Also available as standard reference torque meters

Most popular options (see more in ANNEX)



Ex i



Model 6200 - 10 N·m



Application(s)

SENSY's torque meters 6200-6205 are perfectly designed for the following applications:

- Torque measurement on machines,
- Servo control or torque limitation on industrial process,
- Calibration of torque wrench,
- Torque measurement in laboratories.

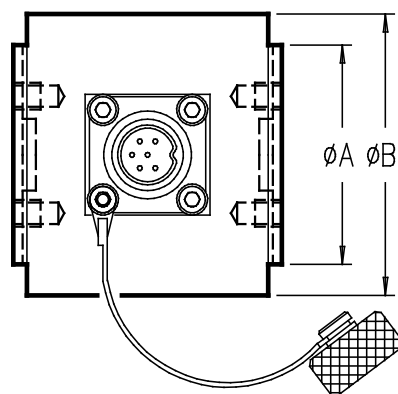
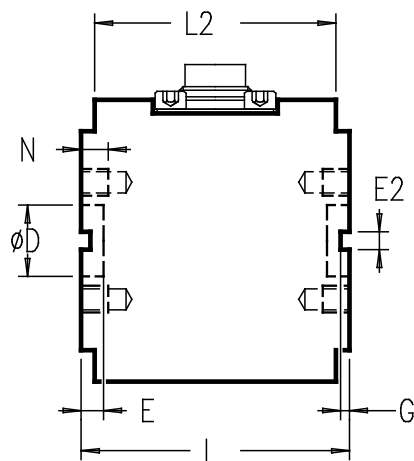
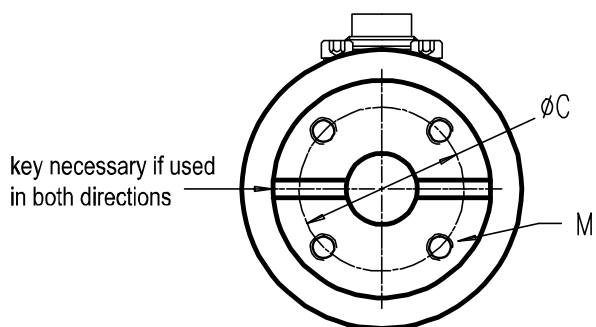
Capacities

6200: 10 - 20 - 50 - 100 - 200 - 500 - 1000 - 2000 N·m  
 6205: (10) - (20) - (50) - (100) - (200) - (500) - 1000 - 2000 N·m  
 Higher capacity on request

Specifications	0.25 %	
Repeatability error	<± 0.1	% F.S.*
Creep error over 30 min.	<± 0.1	% F.S.*
Zero shift after loading	<± 0.025	% F.S.*
Reference temperature	23	°C
Compensated temperature range	-10...+45	°C
Service temperature range	-30...+70	°C
Storage temperature range	-50...+85	°C
Temperature coefficient of the sensitivity	<± 0.05	% F.S.*10°C
Temperature coefficient of zero signal	<± 0.035	% F.S.*10°C
Zero balance	± 0.02	mV/V
Nominal sensitivity	1.5	mV/V
Sensitivity tolerance	<± 0.3	%
Input resistance	350 ± 2	ohm(s)
Output resistance	350 ± 2	ohm(s)
Insulation resistance (50 V)	> 5000	Mohm(s)
Reference excitation voltage	10	VDC
Permissible nominal range of excitation voltage	3...12	VDC
Safe load limit	130	% F.S.*
Breaking load	>300	% F.S.*
Permissible dynamic loading	50	% F.S.*

\* F.S. : Full Scale.  
 Specifications subject to change without notice..

6200-6205 > STANDARD DIMENSIONS



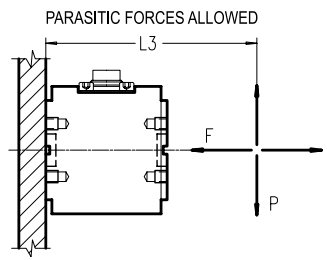
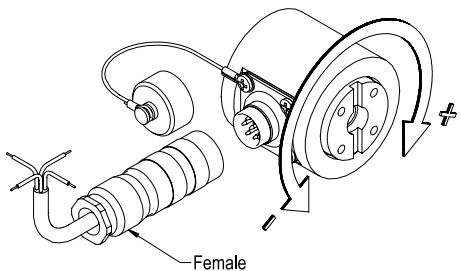
Ref. Item*	Capacities	ØA	ØB	ØC	ØD H7	E	E2	G	L	L2	M	N	IP	F max (N)	L3xP max (N x m)	Torsional stiffness (kN·m / rad)
6200-A	10 - 20 N·m	30	45	22	10	5	4	2	45	40	4x M4	4	IP54	100 - 160	8 - 10	2300 - 3500
6200-B	50 - 100 N·m	49	63	37	16	5	4	2	60	54	4x M6	6	IP67	2000 - 4000	16 - 32	4000 - 10200
6200-C	200 - 500 N·m	79	95	59	25	5	5	2.5	80	73	4x M10	10	IP67	6000 - 10000	64 - 163	20200 - 70000
620x-D	1 kN·m	99	112	78	40	5	6	3	125	115	4x M12	12	IP67	18000	323	105000
620x-E	2 kN·m	99	112	69	40	5	6	3	125	115	4x M16	16	IP67	30000	647	260000

\*x=Material: 6200 - stainless steel; 6205 - nickel-plated steel

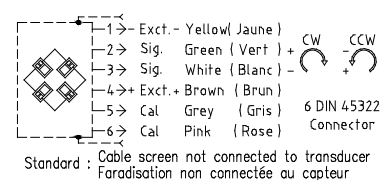
Other capacities and dimensions available on request

Dimensions in mm

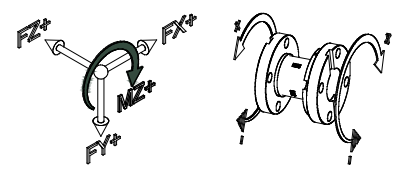
Other views



Wiring



Load direction





6305

## REACTION TORQUE METERS FOR RATCHET WRENCH

Non-rotating torque meters designed to be placed between ratchet and wrench.



### Features

- o Wide range of capacities: from 50 N·m to 20 kN·m
- o Easy to install (standardised wrenches)
- o Compact design
- o Protection class: IP54
- o Material: alloy steel
- o Cable length: 3 m (other lengths available on request)

### Most popular options (see more in ANNEX)



Model 6305 - 2000 N·m



**Application(s)** SENSY's torque meters 6305 are perfectly designed for the following applications:

- Tightening torque control on torque wrenches,
- Tightening torque control on machines.

### Capacities

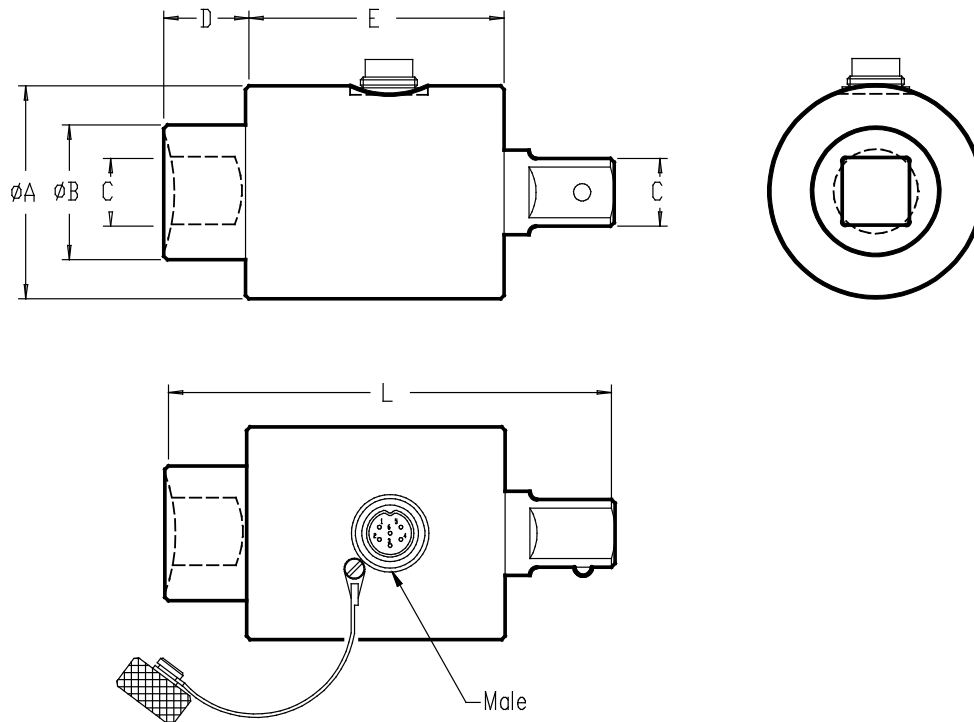
6305: 50 - 100 - 300 - 750 - 1000 - 2000 - (2500) - (5000) - (10 000) - (20 000) N·m

Specifications	0.25 %	
Combined error (non-linearity + hysteresis)	<± 0.25	% F.S.*
Repeatability error	<± 0.1	% F.S.*
Creep error over 30 min.	<± 0.1	% F.S.*
Zero shift after loading	<± 0.025	% F.S.*
Reference temperature	23	°C
Compensated temperature range	-10...+45	°C
Service temperature range	-25...+70	°C
Storage temperature range	-50...+85	°C
Temperature coefficient of the sensitivity	<± 0.05	% F.S./10°C
Temperature coefficient of zero signal	<± 0.035	% F.S./10°C
Zero balance	± 0.02	mV/V
Nominal sensitivity	1.5	mV/V
Sensitivity tolerance	<± 0.3	%
Input resistance	350 ± 2	ohm(s)
Output resistance	350 ± 2	ohm(s)
Insulation resistance (50 V)	> 5000	Mohm(s)
Reference excitation voltage	10	VDC
Permissible nominal range of excitation voltage	3...12	VDC
Safe load limit	120	% F.S.*
Breaking load	>300	% F.S.*
Permissible dynamic loading	40	% F.S.*
Static lateral force limit	10	% F.S.*

\* F.S. : Full Scale.

Specifications subject to change without notice..

6305 > STANDARD DIMENSIONS

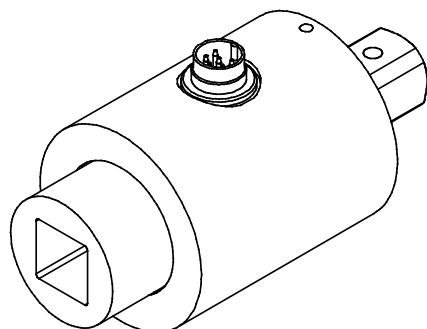


Ref. Item	Capacities	ØA	ØB	C (inch)	D	E	L		
							(mm)	(inch)	
6305-A	50 N·m	45	17.6	3/8"	10	47.5	75	2.95"	
6305-B	100 N·m	50	25	1/2"	16.5	73	127	5"	
6305-C	300 N·m	60	38	3/4"	22	73	127	5"	
6305-D	750 N·m	70	54	1"	30	82	155	6.1"	
6305-E	1 - 2 kN·m	85	69	1 1/2"	38	95	185	7.3"	
-	2.5 - 20 kN·m	According to customer design specifications							

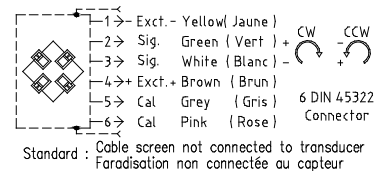
Other capacities and dimensions available on request

Dimensions in mm

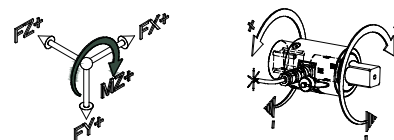
Other view



Wiring



Load direction



## 6300V-6305V

## HIGH-RANGE REACTION TORQUE METERS

High-range reaction torque transducers with square ends.



Model 6305V - 1:1 MN·m



### Features

- o Wide range of capacities: from 20 kN·m to 1.1 MN·m
- o Protection class: IP67
- o Material:
  - 6300V: stainless steel
  - 6305V: alloy steel
- o Cable length: 3 m (other lengths available on request)

### Most popular options (see more in ANNEX)



**Application(s)** SENSY's torque meters 6300V-6305V are perfectly designed for the following applications:

- Tightening torque control on machines,
- Calibration of hydraulic torque wrenches / Iron roughneck, running casing tool calibration.

### Capacities

6300V: 20 - 110 - 250 - (300) - (500) - (1100) kN·m

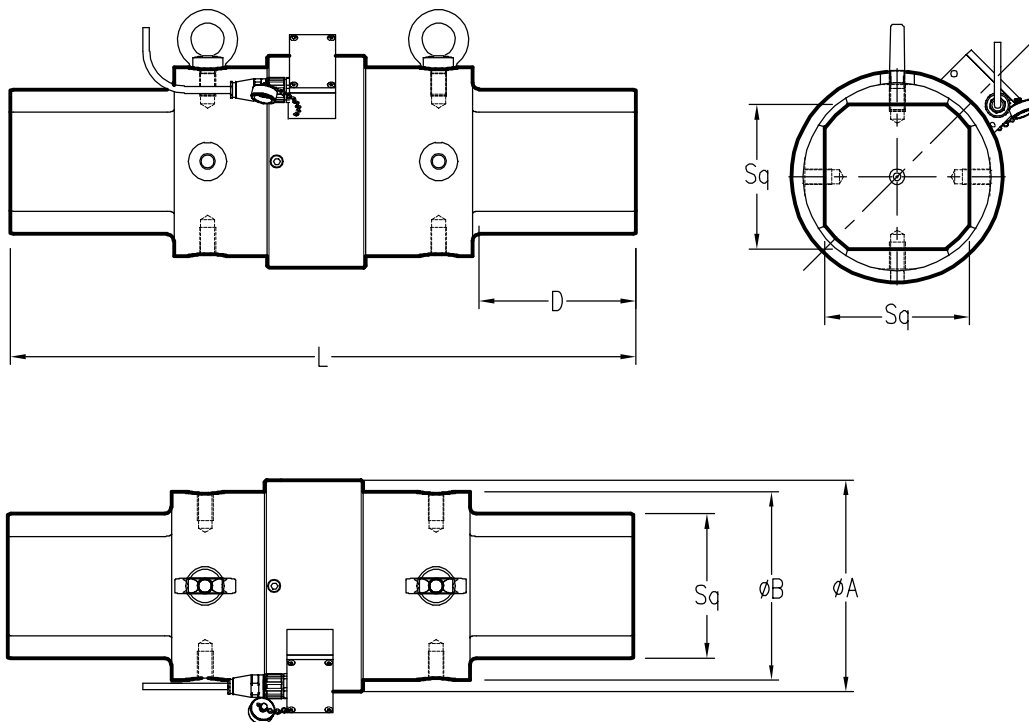
6305V: (20) - (110) - (250) - (300) - (500) - (1100) kN·m

Specifications	0.5 %	
Combined error (non-linearity + hysteresis)	< ± 0.5	% F.S.*
Repeatability error	< ± 0.25	% F.S.*
Creep error over 30 min.	< ± 0.2	% F.S.*
Reference temperature	23	°C
Compensated temperature range	-10...+45	°C
Service temperature range	-25...+70	°C
Storage temperature range	-50...+85	°C
Temperature coefficient of the sensitivity	< ± 0.1	% F.S./10°C
Temperature coefficient of zero signal	< ± 0.1	% F.S./10°C
Zero balance	± 0.02	mV/V
Nominal sensitivity	1.5	mV/V
Sensitivity tolerance	< ± 0.5	%
Input resistance	350±2 or 700±2	ohm(s)
Output resistance	350±2 or 700±2	ohm(s)
Insulation resistance (50 V)	> 5000	Mohm(s)
Reference excitation voltage	10	VDC
Permissible nominal range of excitation voltage	3...12	VDC
Safe load limit	150	% F.S.*
Breaking load	> 300	% F.S.*
Permissible dynamic loading	40	% F.S.*

\* F.S. : Full Scale.

Specifications subject to change without notice..

6300V-6305V > STANDARD DIMENSIONS



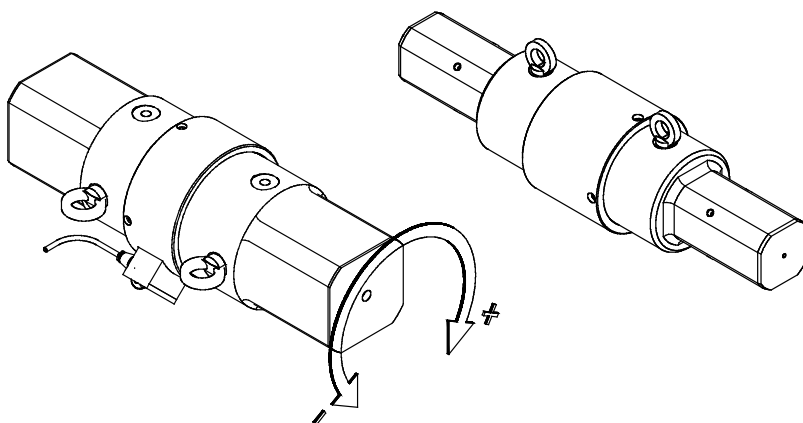
Ref. Item*	Capacities	ØA	ØB	D	L	Sq	Weight (kg)
630xV-A	20 kN·m	136	116	126	530	70	35
630xV-B	110 kN·m	220	196	163	650	150	140
630xV-C	250 kN·m	314	286	195	1000	200	440
-	300 kN·m - 1.1 MN·m	According to customer's design specifications					

\*x=Material: 6300V - stainless steel; 6305V - alloy steel

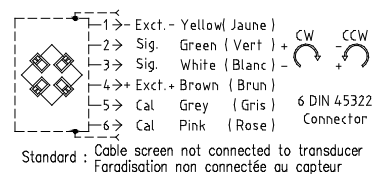
→ Other capacities and dimensions available on request

Dimensions in mm

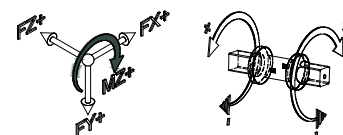
Other views



Wiring



Load direction



6500-6502  
6500A-6502A

## REACTION TORQUE METERS

Non-rotating torque meters with hexagonal head.



Model 6500 - 20 N·m / 6500A - 300 N·m



### Features

- o 6500-6502: cable output with radial cable gland
- o 6500A-6502A: cable output with axial cable gland
- o Compact design, easy to install
- o 6500(A)-6502(A): mechanical fastening with threaded holes (see drawing)
- o Protection class: IP54
- o Material: - stainless steel (6500 / 6500A)  
- anodised aluminium alloy (6502 / 6502A)
- o Cable length: see drawing table - CL (other lengths available on request)

Most popular options (see more in ANNEX)



Ex i



**Application(s)** SENSY's torque meters 6500-6502 / 6500A-6502A are perfectly designed for the following applications:

- Calibration of industrial torque wrench with torque control,
- Servo control or torque limitation in industrial process.

### Capacities

6502 / 6502A: 2 - 5 N·m

6500 / 6500A: 2 - 5 - 10 - 20 - 50 - 100 - 200 - 300 - 500 - 750 N·m

Specifications	0.25 %	
Combined error (non-linearity + hysteresis)	<± 0.25	% F.S.*
Repeatability error	<± 0.1	% F.S.*
Creep error over 30 min.	<± 0.1	% F.S.*
Reference temperature	23	°C
Compensated temperature range	-10...+45	°C
Service temperature range	-30...+70	°C
Storage temperature range	-50...+85	°C
Temperature coefficient of the sensitivity	<± 0.05	% F.S.*10°C
Temperature coefficient of zero signal	<± 0.035	% F.S.*10°C
Zero balance	± 0.02	mV/V
Nominal sensitivity	1.5	mV/V
Sensitivity tolerance	<± 0.3	%
Input resistance	350 ± 2	ohm(s)
Output resistance	350 ± 2	ohm(s)
Insulation resistance (50 V)	> 5000	Mohm(s)
Reference excitation voltage	10	VDC
Permissible nominal range of excitation voltage	3...12	VDC
Safe load limit	120	% F.S.*
Breaking load	>300	% F.S.*
Permissible dynamic loading	40	% F.S.*
Static lateral force limit	10	% F.S.*

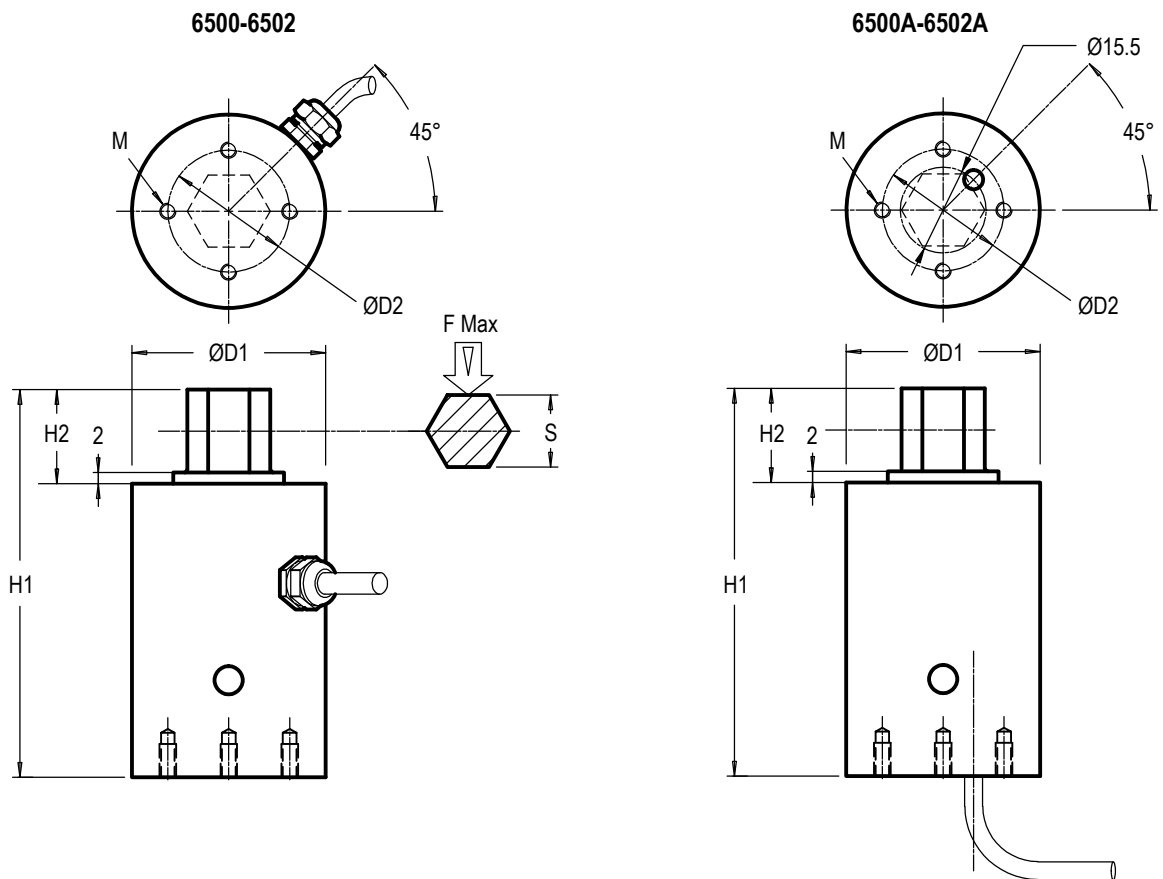
\* F.S. : Full Scale.

Specifications subject to change without notice.



ISO 9001 certified

6500-6502 / 6500A-6502A > STANDARD DIMENSIONS



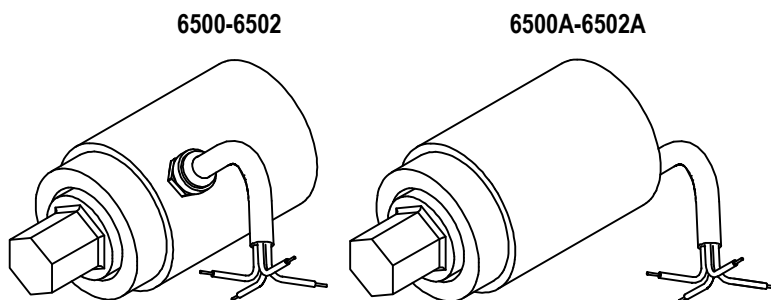
Ref. Item*	Capacities	H1	H2	ØD1	M	ØD2	S	F (N)	CL (m)
650x-A / 650xA-A	2 - 20 N·m	70	15	35	4 x M3	22	13	40 - 80	0.5
6500-C / 6500A-B	50 - 300 N·m	70	15	54	4 x M6	38	24	200 - 1300	1.5
6500-G / 6500A-C	500 - 750 N·m	85	17	62	6 x M8	48	24	1600 - 2200	3

\*Material : 6500 / 6500A : stainless steel; 6502 / 6502A : aluminium

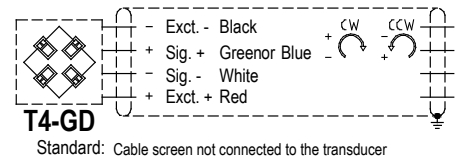
→ Other capacities and dimensions available on request

Dimensions in mm

Other views



Wiring



Load direction



# 6500B

# REACTION TORQUE METERS

Non-rotating torque meters with hexagonal head.



Model 6500B - 500 N·m



### Features

- o Wide range of capacities: from 2 to 1000 N·m
- o Cable output with radial connector (see drawing)
- o Mechanical fastening by collar (see drawing)
- o Protection class: IP54
- o Material: stainless steel

### Most popular options (see more in ANNEX)



Ex i



### Application(s)

SENSY's torque meters 6500B are perfectly designed for the following applications:

- Calibration of industrial torque wrench with torque control,
- Servo control or torque limitation in industrial process.

### Capacities

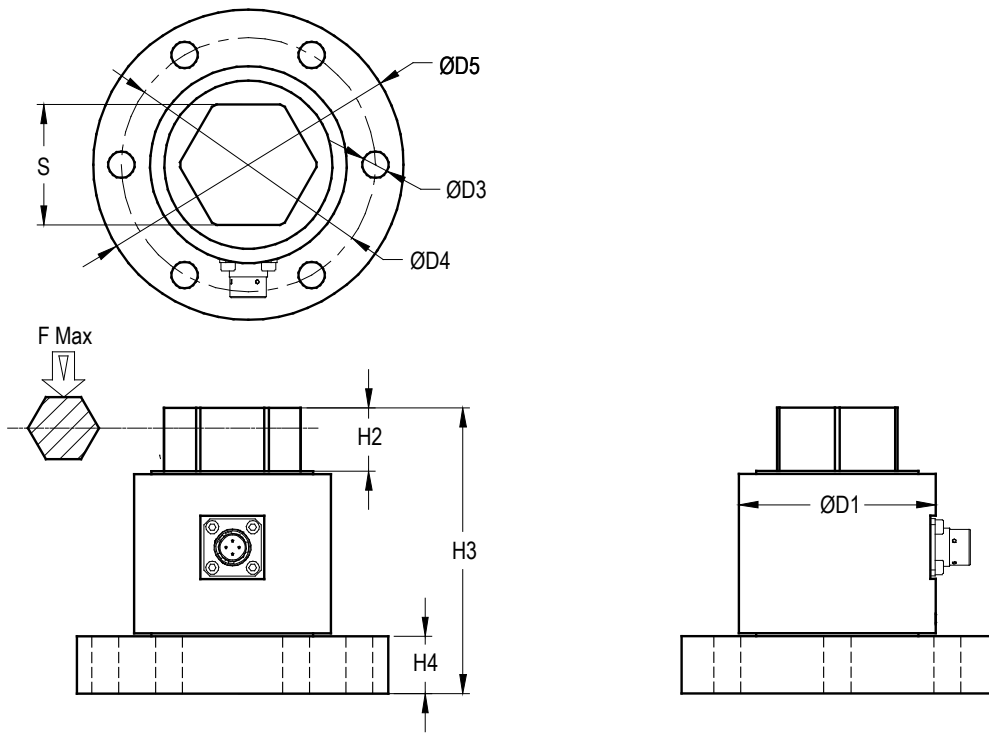
6500B: 2 - 5 - 10 - 20 - 50 - 100 - 200 - 300 - 500 - 750 - 1000 N·m

Specifications	0.25 %	
Combined error (non-linearity + hysteresis)	<± 0.25	% F.S.*
Repeatability error	<± 0.1	% F.S.*
Creep error over 30 min.	<± 0.1	% F.S.*
Zero shift after loading	<± 0.025	% F.S.*
Reference temperature	23	°C
Compensated temperature range	-10...+45	°C
Service temperature range	-30...+70	°C
Storage temperature range	-50...+85	°C
Temperature coefficient of the sensitivity	<± 0.05	% F.S./10°C
Temperature coefficient of zero signal	<± 0.035	% F.S./10°C
Zero balance	± 0.02	mV/V
Nominal sensitivity	1.5	mV/V
Sensitivity tolerance	<± 0.3	%
Input resistance	350 ± 2	ohm(s)
Output resistance	350 ± 2	ohm(s)
Insulation resistance (50 V)	> 5000	Mohm(s)
Reference excitation voltage	10	VDC
Permissible nominal range of excitation voltage	3...12	VDC
Safe load limit	120	% F.S.*
Breaking load	>300	% F.S.*
Permissible dynamic loading	40	% F.S.*
Static lateral force limit	10	% F.S.*

\* F.S. : Full Scale.

Specifications subject to change without notice.

6500B > STANDARD DIMENSIONS

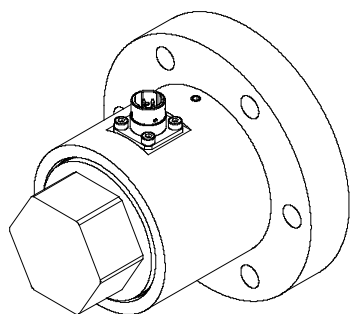


Ref. Item	Capacities	H2	H3	H4	ØD1	ØD3	ØD4	ØD5	S	F (N)	CL (m)
6500B-A	2 - 20 N·m	15	78	8	35	4x4.2	45	54	13	40	3
6500B-B	50 - 300 N·m	15	81	11	54	4x6.5	68	79	24	200	3
6500B-C	500 - 750 N·m	17	85	16	62	6x8.5	80	98	24	1600	3
6500B-D	1000 N·m	20	90	18	62	6x8.5	80	98	38	3000	6

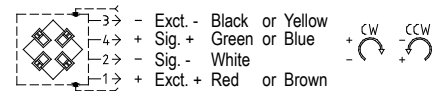
Other capacities and dimensions available on request

Dimensions in mm

Other view



Wiring



JAEM-GD

Standard: Cable screen not connected to the transducer

Load direction





## 62100-62200

## NON-CONTACT ROTARY TORQUE SENSORS

General purpose, low-cost, non-contact rotary torque sensors with square or round shaft.



### Features

- o Bidirectional
- o Cost effective solution
- o Measurement range up to 500 N·m
- o Rotating speed up to 5000 rpm
- o Round or square shafts (see drawing)
- o Integrated signal conditioning
- o Analogue output signal (see Wiring table)
- o Cable length: 5 m (other lengths available on request)

Model 62100 - 500 N·m



**Application(s)** SENSY's torque sensors 62100 and 62200 are perfectly designed for the following applications:

- Torque measurement on test benches,
- Torque measurement on production lines,
- Torque measurement on rotating machines.

### Capacities

62100-62200: 2.5 - 5 - 7.5 - 17.5 - 75 - 175 - 250 - 500 N·m

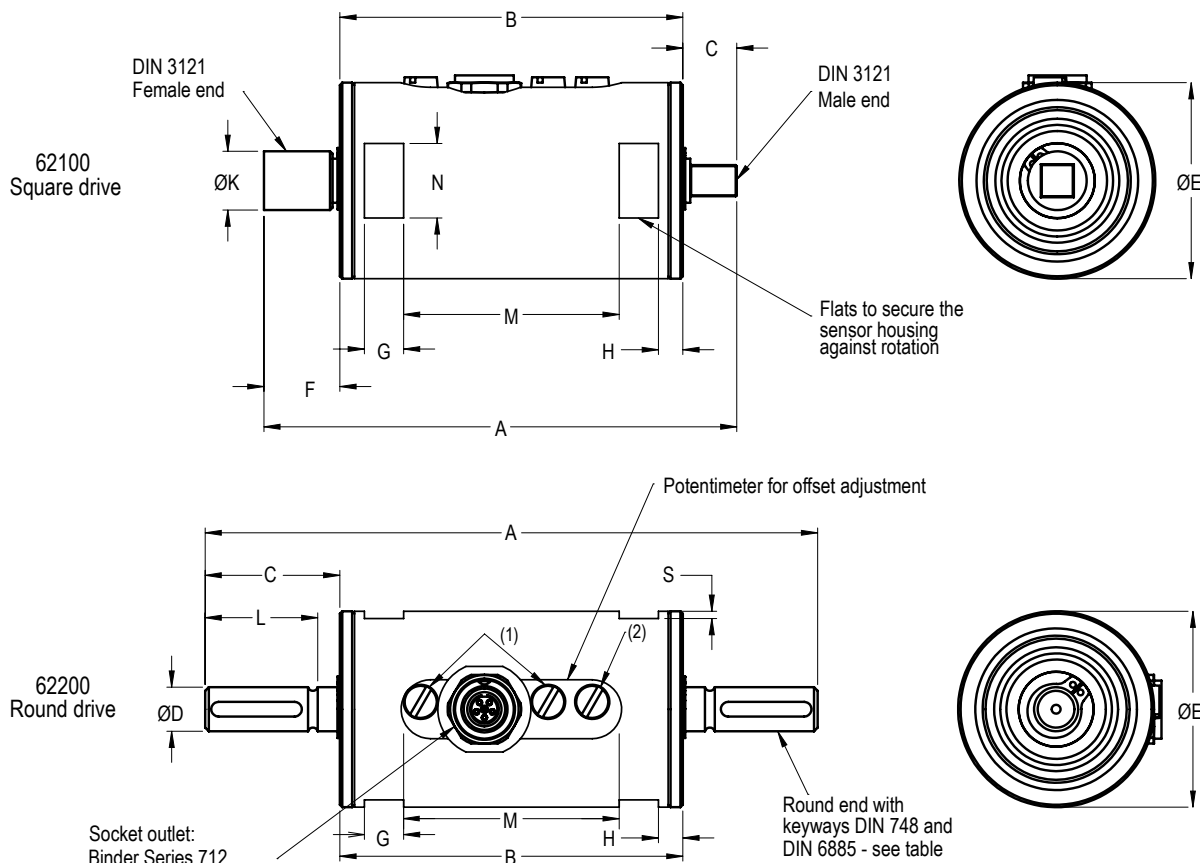
Specifications	62100	62200	
Shaft	Square	Round with key stone	-
Combined error (non-linearity + hysteresis)	<± 1**	<± 1**	% F.S.*
Repeatability error	<± 0.05	<± 0.05	% F.S.*
Rotational signal uniformity	<± 1	<± 1	% F.S.*
Compensated temperature range	+15...+35	+15...+35	°C
Service temperature range	-40...+85	-40 ... +85	°C
Storage temperature range	-40 ... +85	-40 ... +85	°C
Temperature coefficient of the sensitivity	< 0.5	< 0.5	% F.S./10°C
Temperature coefficient of zero signal	< 0.5	< 0.5	% F.S./10°C
Nominal sensitivity	± 2**	± 2**	V
Zero signal	2.5	2.5	V
Power supply	6...15 VDC	6...15 VDC	-
Consumption (max.)	10	10	mA
Start-up current	< 40	< 40	mA
Maximum rotational speed	1000	5000	rpm
Safe load limit	130	130	% F.S.*
IP rating	IP50	IP50	-

\*F.S. : Full Scale.

\*\* : See individual calibration sheet.

Specification subject to change without notice..

62100-62200 > STANDARD DIMENSIONS



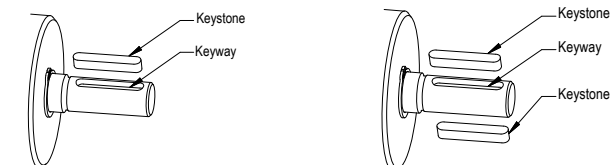
(1) (2) Do not loosen or tighten the assembly screws

Ref. Item	Capacities	Dimensions														
		Square drive shaft (inch)	A	B	C	ØD	ØE	F	G	H	ØK	L	M	N	P	S
<b>(62100)</b>																
62100-A	2.5 / 5.0 / 7.5 / 17.5 N·m	1/4"	95.5	70	9.5	/	40	16	8	5	12	/	43.9	15	37	1.5
62100-B	75 N·m	3/8"	107	70	13	/	50	24	8	5	18	/	43.9	18	47	1.5
62100-C	175 / 250 N·m	1/2"	123.5	70	18.5	/	50	35	8	5	24	/	43.9	18	47	1.5
62100-D	500 N·m	3/4"	146	87	29.6	/	60	29.6	10.5	2	33.5	/	61.4	19	57	1.5
<b>(62200)</b>																
62200-A	2.5 / 5.0 / 7.5 / 17.5 N·m	Ø 9	125	70	27.5	9	40	/	8	5	/	23	43.9	15	37	1.5
62200-B	75 N·m	Ø 14	139	70	34.5	14	50	/	8	5	/	30	43.9	18	47	1.5
62200-C	175 / 250 N·m	Ø 19	179	70	54.5	19	50	/	8	5	/	50	43.9	18	47	1.5
62200-D	500 N·m	Ø 25	220	87	66.6	25	60	/	10.5	2	/	/	61.4	19	57	1.5

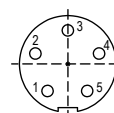
Other capacities and dimensions available on request

Dimensions in mm

Accessories

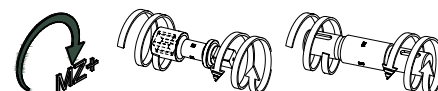


Wiring



Pin	Colour	Description	Value
1	White	Supply Voltage V <sub>cc</sub>	6 - 15 V
2	Brown	Analogue output signal	
3	Black	Ground GND	
4	Blue	Not used	
5	Grey	Reference Voltage V <sub>ref</sub>	2.5 V

Load direction



Dimensions Keyway (mm)				Keystones		
Round drive	Width	Depth	Length	Height	Length	Quantity
Ø 9 mm	3	1.8	18.5	3	18	1
Ø 14 mm	5	3	25.5	5	25	1
Ø 19 mm	6	3.5	45.5	6	45	1
Ø 25 mm	8	4	50.5	8	50	2

# 62300

# NON-CONTACT ROTARY TORQUE SENSORS

General purpose, high rotating speed, non-contact rotary torque sensors with round shaft.



### Features

- o Bidirectional
- o Maintenance free
- o Round shafts (see drawing)
- o Measurement range up to 100 N·m
- o Max. rotating speed:
  - Round shaft: 10 000 rpm
- o Integrated signal conditioning
- o Analogue output signal (see Wiring table)
- o Cable length: 5 m (other lengths available on request)

Most popular options (see more in ANNEX)



Model 62300 - 20 N·m



**Application(s)** SENSY's torque sensors 62300 are perfectly designed for the following applications:

- Torque measurement on test benches,
- Torque measurement on production lines,
- Torque measurement on rotating machines.

### Capacities

62300: 1 - 2.5 - 5 - 10 - 20 - 50 - 100 N·m

Specifications	62300	
Combined error (non-linearity + hysteresis)	<± 0.5	% F.S.*
Repeatability error	<± 0.05	% F.S.*
Rotational signal uniformity	<± 0.5	% F.S.*
Compensated temperature range	+15...+35	°C
Service temperature range	-30 ... +85	°C
Storage temperature range	-30 ... +85	°C
Temperature coefficient of the sensitivity	< 0.1	% F.S./10°C
Temperature coefficient of zero signal	< 0.1	% F.S./10°C
Nominal sensitivity	± 4**	V
Zero signal	5	V
Power supply	5...28 VDC	-
Consumption (max.)	37...45	mA
Start-up current	< 100	mA
Safe load limit	130	% F.S.*
IP rating	IP50	-

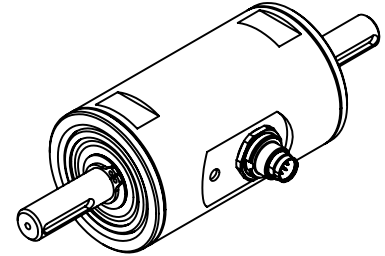
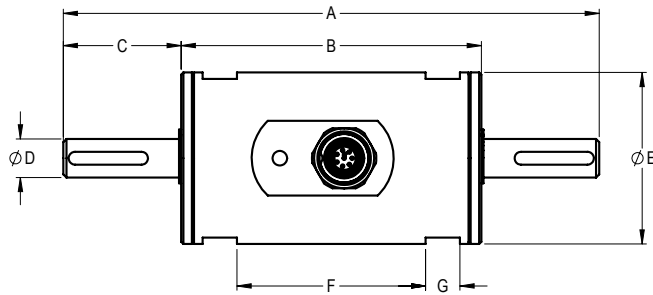
\*F.S.: Full Scale.

\*\* : See individual calibration sheet

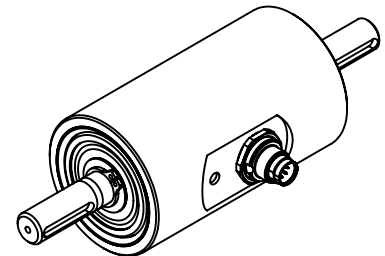
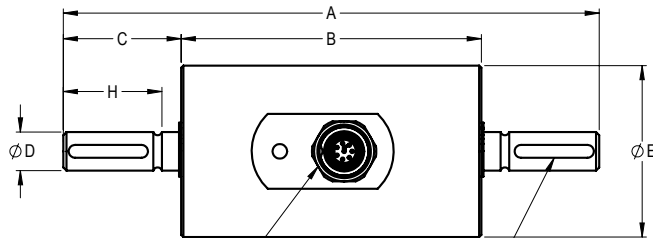
Specification subject to change without notice..

62300 > STANDARD DIMENSIONS

62300-A



62300-B to C



Socket outlet: Binder 09-0427-30-08  
Round end with feather key DIN 748 and DIN 6885

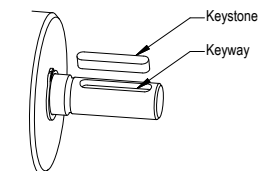


Ref. Item	Capacities	Shaft	Dimensions									
			A	B	C	ØD	ØE	F	G	H	I	J
62300-A	1 N·m	Round Ø 8 mm	125	70	27.5	8g6	40	44	8	/	/	/
62300-B	2.5 - 5 - 10 - 20 N·m	Round Ø 9 mm	125	70	27.5	9g6	40	/	/	23	/	20
62300-C	50 -100 N·m	Round Ø 15 mm	139	70	35	15g6	50	/	/	/	/	20

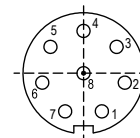
→ Other capacities and dimensions available on request

Dimensions in mm

Accessories

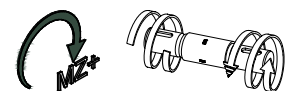


Wiring



Pin	Colour	Description	Value
1	White	USB/CAN-Bus	D-/H
2	Brown	USB/CAN-Bus	D+/L
3	Green	Optional - Angle Channel A	0...5 V
4	Yellow	Optional - Angle Channel B	0...5 V
5	Grey	Analogue GND	-
6	Pink	Analogue output signal	0...10 V
7	Blue	Ground GND	-
8	Red	Supply VCC	5...28 V

Load direction



Dimensions Keyway (mm)				Keystones		
Round drive	Width	Depth	Length	Height	Length	Quantity
Ø 8 mm	3	1.3	18.5	3	18	1
Ø 9 mm	3	1.8	18.5	3	18	1
Ø 15 mm	5	3	25.5	5	25	1



## 63000-64000

## NON-CONTACT ROTARY TORQUE SENSORS

General purpose, high-accuracy non-contact rotary torque sensors.



### Features

- o Bidirectional
- o Measurement range up to 2000 N·m
- o Combined error (non-linearity + hysteresis):
  - 63000:  $\pm 0.2\%$  F.S.\*
  - 64000:  $\pm 0.1\%$  F.S.\*
- o Rotational signal uniformity:
  - 63000:  $\pm 0.2\%$  F.S.\*
  - 64000:  $\pm 0.1\%$  F.S.\*
- o Integrated signal conditioning
- o Analogue output signal (see Wiring table)
- o Cable length: 5 m (other lengths available on request)

Most popular options (see more in ANNEX)



20...100 kHz  
Frequency output



Model 63000 - 250 N·m



**Application(s)** SENSY's torque sensors 63000 and 64000 are perfectly designed for the following applications:

- Torque measurement on test benches, production lines and rotating machines.

### Capacities

63000: 50 - 100 - 250 - 500 - 1000 - 2000 N·m

64000: 50 - 100 - 250 - 1000 N·m

Specifications	63 / 64000-A	63 / 64000-B	63 / 64000-C	
Capacities	50 - 100 N·m	250 - 500 N·m	1000 - 2000 N·m***	-
Repeatability error	$<\pm 0.05$	$<\pm 0.05$	$<\pm 0.05$	% F.S.*
Compensated temperature range	+15...+35	+15...+35	+15...+35	°C
Service temperature range	-40...+85	-40...+85	-40...+85	°C
Storage temperature range	-40...+85	-40...+85	-40...+85	°C
Temperature coefficient of the sensitivity	$< 0.5$	$< 0.5$	$< 0.5$	% F.S./10°C
Temperature coefficient of zero signal	$< 0.2$	$< 0.2$	$< 0.2$	% F.S./10°C
Nominal sensitivity	$\pm 4^{**}$	$\pm 4^{**}$	$\pm 4^{**}$	V
Zero signal	5	5	5	V
Power supply	11...28 VDC	11...28 VDC	11...28 VDC	-
Consumption (max.)	150	150	150	mA
Start-up current	$< 200$	$< 200$	$< 200$	mA
Maximum rotational speed	10000	8000	5000	rpm
Safe load limit	130	130	130	% F.S.*
Breaking load	300	300	300	% F.S.*
IP rating	IP50	IP50	IP50	-

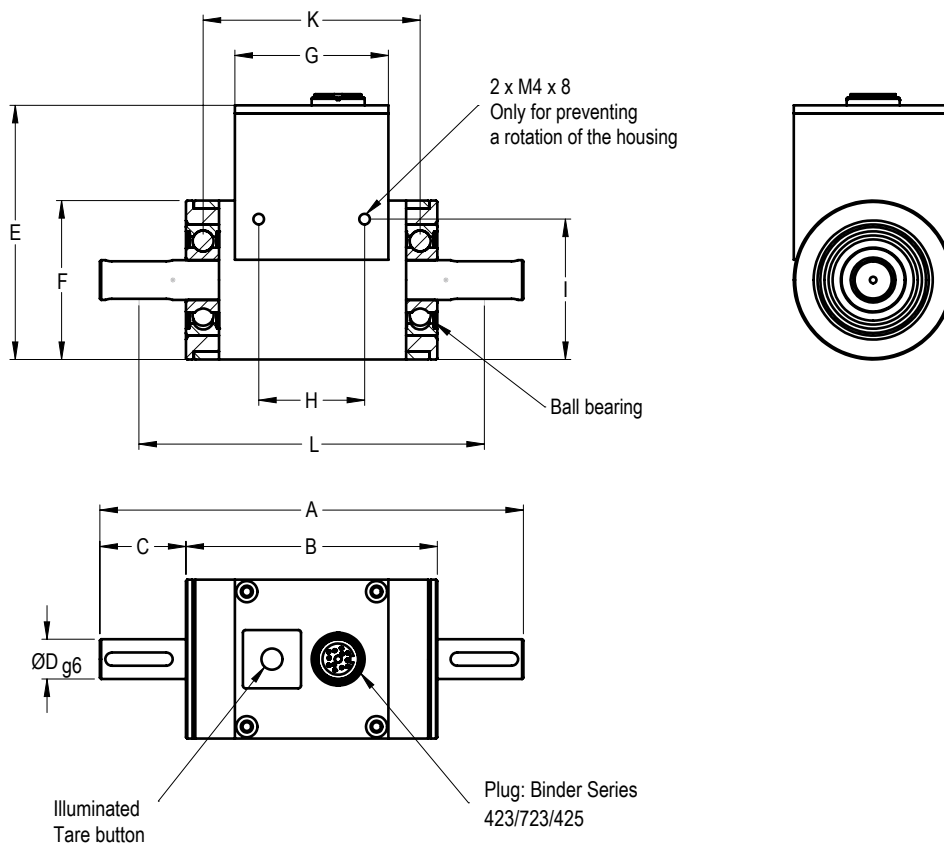
\*F.S. : Full Scale.

\*\* : See individual calibration sheet.

\*\*\* : 2000 N·m only for model 63000.

Specification subject to change without notice..

63000-64000 > STANDARD DIMENSIONS



Ref. Item	Capacities	Dimensions (mm):								
		A	B	C	Ø D	E	F	G	H	I
63 / 64000-A	50 - 100 N·m	160	93	33.5	15	96	60	61	40	57
63 / 64000-B	250 - 500 N·m	220	101	59.5	25	106	70	61	40	67
63 / 64000-C	1 kN·m - 2 kN·m	350	130	110	40	126	90	80	60	87

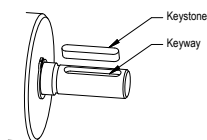
\* 2 kN·m only for model 63000

Ball bearing							
Shaft ending	Distance K	Outer diameter	Inner diameter	Max. rotation of bearing (rpm)	Loading rating (kN)		
					Dyn. C	Stat. C <sub>0</sub>	
Ø 15 mm	82.0	35	15	25.000	7.8	3.8	
Ø 25 mm	84.8	52	25	16.000	13.8	7.65	
Ø 40 mm	114.6	68	40	11.000	17.8	11.6	

→ Other capacities and dimensions available on request

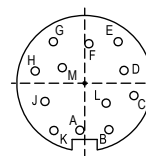
Dimensions in mm

Accessories



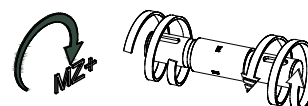
Dimensions of keystone groove (mm)				Keystone DIN 6885			Keystone position
Shaft ending (mm)	Width	Depth	Length	Height	Length	Quantity	Distance L
Ø 15	5N9	3	25.5	5	25	1	130.5
Ø 25	8N9	4	50.5	7	50	2	165.5
Ø 40	12N9	5	90.5	8	90	2	252.0

Wiring



Pin	Colour	Description	Value
A	White	Supply Voltage V <sub>cc</sub>	11 V...28 V
B	Brown	Ground GND	
C	Green	Analogue out	0 V...10 V
D	Yellow	Analogue GND	
E	Grey	Analogue out	4-20 mA
F	Pink	Optional - Angle Channel A	0 V...5 V
G	Blue	Optional - Angle Channel I	0 V...5 V
H	Red	Optional - Angle Channel B	0 V...5 V
I	Black	-	
K	Violet	For internal use only	RX (TTL Pegel)
L	Grey-Pink	For internal use only	RX (TTL Pegel)
M	Red-Blue	Digital GND	

Load direction



65000

## HIGH-CAPACITY NON-CONTACT ROTARY TORQUE SENSORS

General purpose, high capacity non-contact rotary torque sensors.



Model 65000 - 10 kN·m



### Features

- o Bidirectional
- o Measurement range up to 25 kN·m (>25 kN·m on request)
- o Rotating speed up to 8000 rpm
- o Integrated signal conditioning
- o Analogue output signal (see Wiring table)
- o Cable length: 5 m

Most popular options (see more in ANNEX)



**Application(s)** The SENSY's torque sensors 65000 are perfectly designed to the following applications:

- Torque measurement on test benches, production lines and rotating machines.

### Capacities

65000: 10 - 15 - 20 - 25 kN·m

Specifications	65000-A	65000-B	
Capacities	10 - 15 kN·m	20 - 25 kN·m	-
Combined error (non-linearity + hysteresis)	<± 0.5	<± 0.5	% F.S.*
Repeatability error	<± 0.1	<± 0.1	% F.S.*
Rotational signal uniformity	<± 0.5	<± 0.5	% F.S.*
Compensated temperature range	+15...+35	+15...+35	°C
Service temperature range	-40...+85	-40...+85	°C
Storage temperature range	-40...+85	-40...+85	°C
Temperature coefficient of the sensitivity	< 0.5	< 0.5	% F.S./10°C
Temperature coefficient of zero signal	< 0.5	< 0.5	% F.S./10°C
Nominal sensitivity	± 4**	± 4**	V
Zero signal	5	5	V
Power supply	9...28 VDC	9...28 VDC	-
Consumption (max.)	40	40	mA
Start-up current	< 100	< 100	mA
Maximum rotational speed	8000	5000	rpm
Torque limit	20	30	kN·m
IP rating	IP50	IP50	-

\*F.S. : Full Scale.

\*\* : See individual calibration sheet.

Specification subject to change without notice..





67000

## NON-CONTACT ROTARY TORQUE SENSORS

General purpose, non-contact rotary torque sensors with flanges or PTO shaft.



Model 67000 3 kN·m



### Features

- o Bidirectional
- o Measurement range up to 5 kN·m
- o Rotating speed up to 3600 rpm
- o Integrated signal conditioning
- o Analogue output signal (see Wiring table)
- o Cable length: 5 m (other lengths available on request)
- o Torque limit 5000 N·m

Most popular options (see more in ANNEX)



**IP65**  
Not for Angle Sensor



**Application(s)** SENSY's torque sensors 67000 are perfectly designed for the following applications:

- Torque measurement on machines for agriculture or forestry,
- Torque measurement on test benches, production lines and rotating machines.

### Capacities

67000: 3 - 5 kN·m

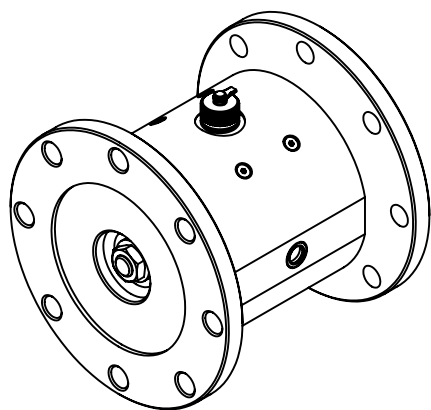
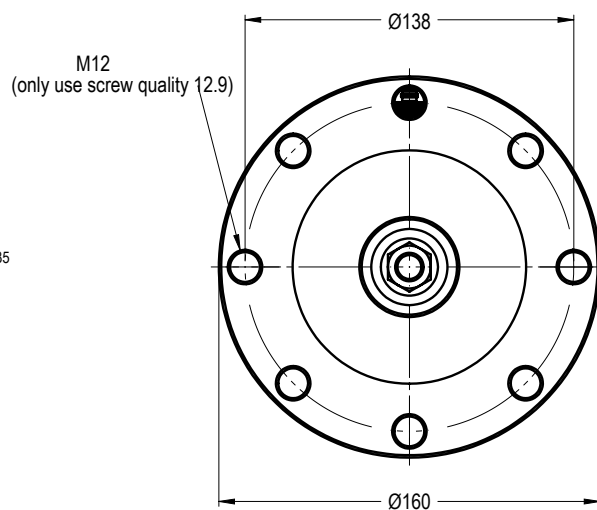
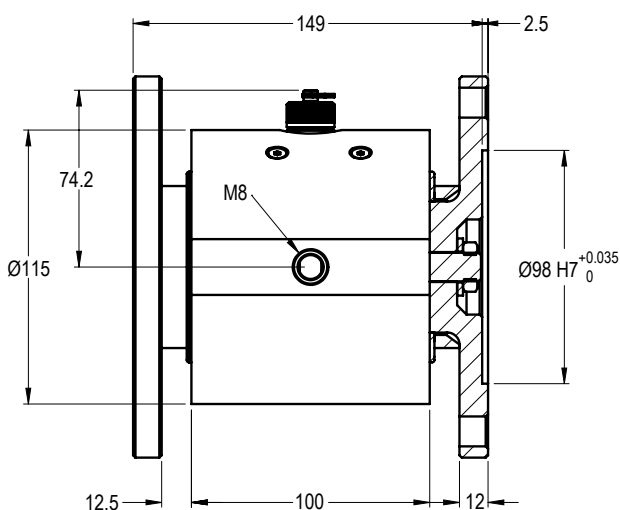
Specifications	67000	
Combined error (non-linearity + hysteresis)	<± 0.5	% F.S.*
Repeatability error	<± 0.05	% F.S.*
Rotational signal uniformity	<± 0.5	% F.S.*
Compensated temperature range	+15...+35	°C
Service temperature range	-40...+85	°C
Storage temperature range	-40...+85	°C
Temperature coefficient of the sensitivity	< 0.5	% F.S./10°C
Temperature coefficient of zero signal	< 0.5	% F.S./10°C
Nominal sensitivity	± 4**	V
Zero signal	5	V
Power supply	9...28 VDC	-
Consumption (max.)	100	mA
Start-up current	< 150	mA
IP rating	IP50	-

\* F.S. : Full Scale.

\*\* : see individual calibration sheet

Specification subject to change without notice..

67000 > STANDARD DIMENSIONS

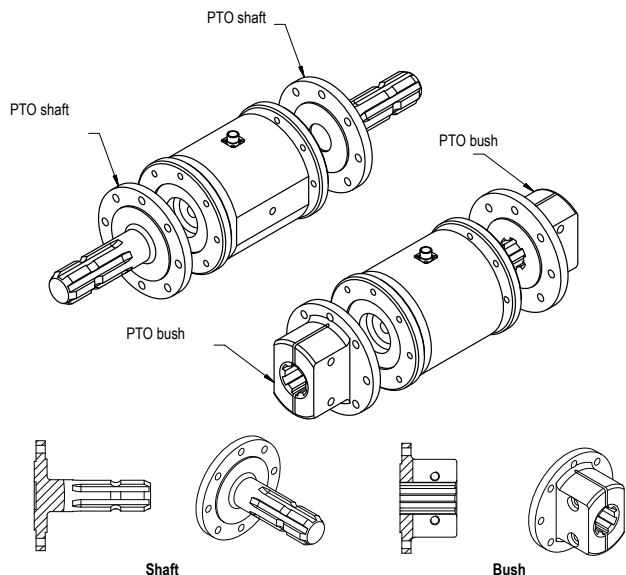


Ref. Item	Capacities	PTO shaft and bush	
		Shaft	Bush
67000-A	3 kN·m	PTO shaft 6 teeth (1 3/8") ≤ 2.5 kN·m	≤ 5 kN·m
67000-B	3 - 5 kN·m	PTO shaft 6 teeth (1 3/4") ≤ 4.5 kN·m	≤ 5 kN·m
67000-C	3 kN·m	PTO shaft 21 teeth (1 3/8") ≤ 3 kN·m	≤ 5 kN·m
67000-D	3 - 5 kN·m	PTO shaft 20 teeth (1 3/4") ≤ 5 kN·m	≤ 5 kN·m

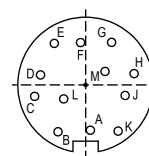
→ Other capacities and dimensions available on request

Dimensions in mm

Accessories

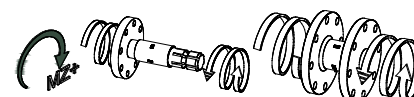


Wiring



Pin	Colour	Description	Value
A	White	CAN / USB	H / D-
B	Brown	CAN / USB	L / D+
C	Green	Optional - Angle Channel A	0...5 V
D	Yellow	Optional - Angle Channel B	0...5 V
E	Grey	Analogue GND	-
F	Pink	Analogue voltage	0...10 V
		Analogue current	4...20 mA
G	Blue	Ground GND	-
H	Red	Supply Voltage Vcc	9...28 V
J	Black	USB GND	-
K	Violet	-	-
L	Grey-Pink	USB	5 V
M	Red-Blue	-	-

Load direction



# ACCESSORIES



LOAD CELL  
MANUFACTURER



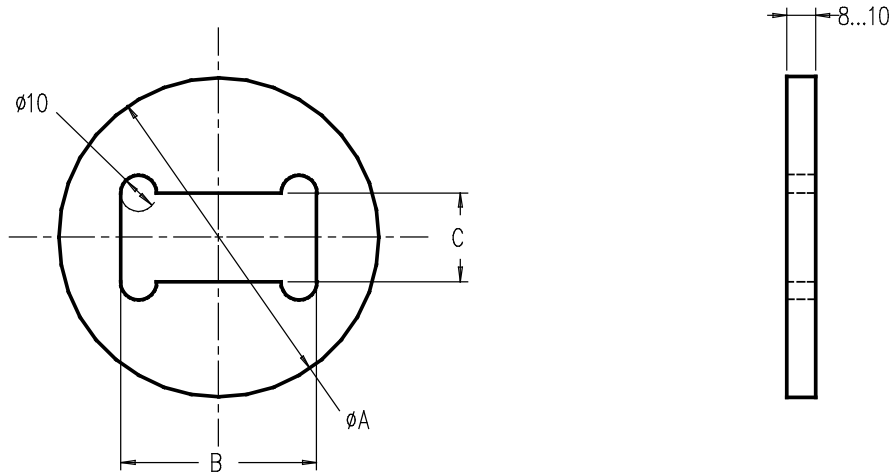
This page was intentionally left blank

# PRODUCTS OVERVIEW

## ACCESSORIES

	MODELS																		
	2000S	2600	2710-2715	2712	2712-ISO	2715-ISO	2960-2962-2965	3100P	3115-ISO	3300	3500	4500	5100-5105	5105-ISO	5510	5900		5930-5932	5950
F2000S	●																		p. 44
I2000S-I2005S	●																		p. 45
D2600-D2605		●																	p. 55
I2600-I2605		●																	p. 54
C2712			●	●	●	●													p. 194
T2960-T2962-T2965						●													p. 15
H3100P							●												p. 60
I3100P-I3105P							●												p. 61
M3100P-M3105P							●												p. 63
C3300									●										p. 66
K3300								●											p. 67
I3500-I3505										●									p. 71
I4500-I4505											●								p. 75
F5510														●					p. 82
I5510-I5515														●					p. 83
R5510														●					p. 85
A5900																●			p. 30
R5900																●			p. 31
A5950																		●	p. 90
I5950-I5955																		●	p. 91
M5950																		●	p. 93
APPUI			●	●	●	●	●												p. 195
CASE-F / CASE-P																			Available for each model on request p. 200 / 201
EMBOF	●												●	●				●	p. 196
EMBOM	●		●	●	●	●	●												p. 197
PADIN									●				●	●					p. 198
SUPOR			●	●	●	●	●		●				●	●					p. 199

C2712 > STANDARD DIMENSIONS



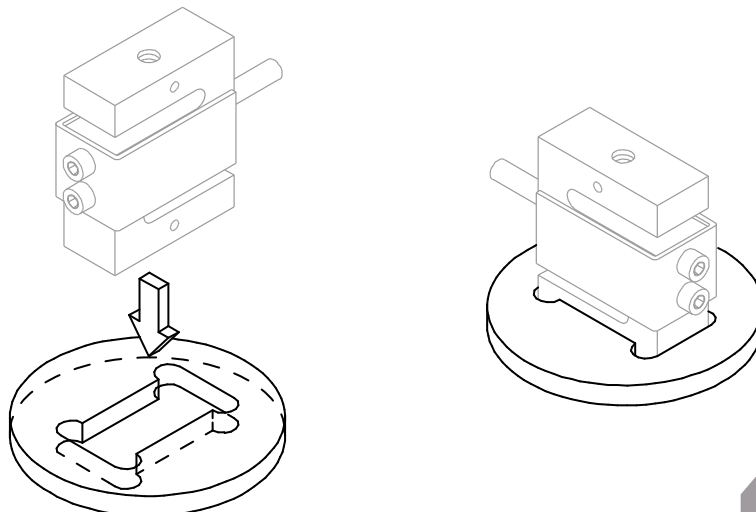
Ref. Item*	$\phi A$	B	C
C2712-ABC	89	55	25
C2712-D	109	70	30
C2712-G	139	98	38
C2712-H	179	118	56

\* Material: aluminium

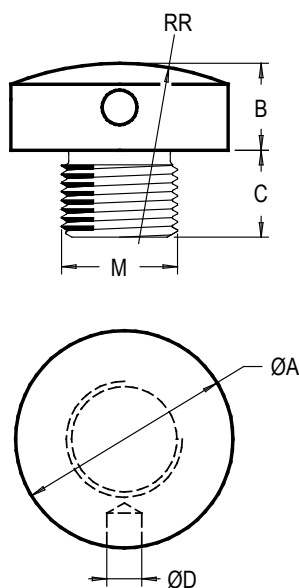
→ Other capacities and dimensions available on request

Dimensions in mm

Other views



APPUI > STANDARD DIMENSIONS

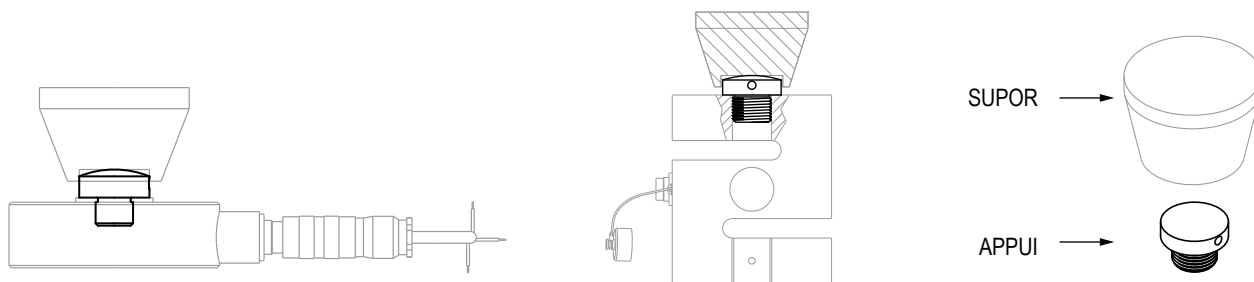


Ref. Item*	M	ØA	B	C	ØD	RR	Weight (kg)
APPUI-6	M 6	12	7	8	3 (1x)	16	0.02
APPUI-8	M 8	20	7	8	3 (1x)	25	0.02
APPUI-10	M 10	20	7	10	3 (1x)	25	0.02
APPUI-12	M 12	20	10	10	3 (1x)	35	0.03
APPUI-16	M 16	30	12	12	4 (1x)	50	0.08
APPUI-16B	M 16	36	12	12	5 (1x)	100	0.11
APPUI-20x1.5	M 20 x 1.5	36	12	15	5 (1x)	70	0.12
APPUI-24x2	M 24 x 2	36	12	18	5 (1x)	60	0.15
APPUI-30x2	M 30 x 2	45	15	20	6 (2x)	100	0.28
APPUI-36x3	M 36 x 3	56	20	24	6 (2x)	150	0.55
APPUI-36Bx3	M 36 x 3	69	20	35	6 (2x)	250	0.84
APPUI-45x3	M 45 x 3	64	20	30	6 (2x)	200	0.84
APPUI-56x4	M 56 x 4	90	24	35	8 (2x)	300	1.8
APPUI-60x4	M 60 x 4	90	27	40	10 (2x)	350	2.14
APPUI-64x4	M 64 x 4	90	27	40	10 (2x)	350	2.27
APPUI-90x4	M 90 x 4	125	33	50	12 (2x)	450	5.46

\* Material: stainless steel

Dimensions in mm

Other views

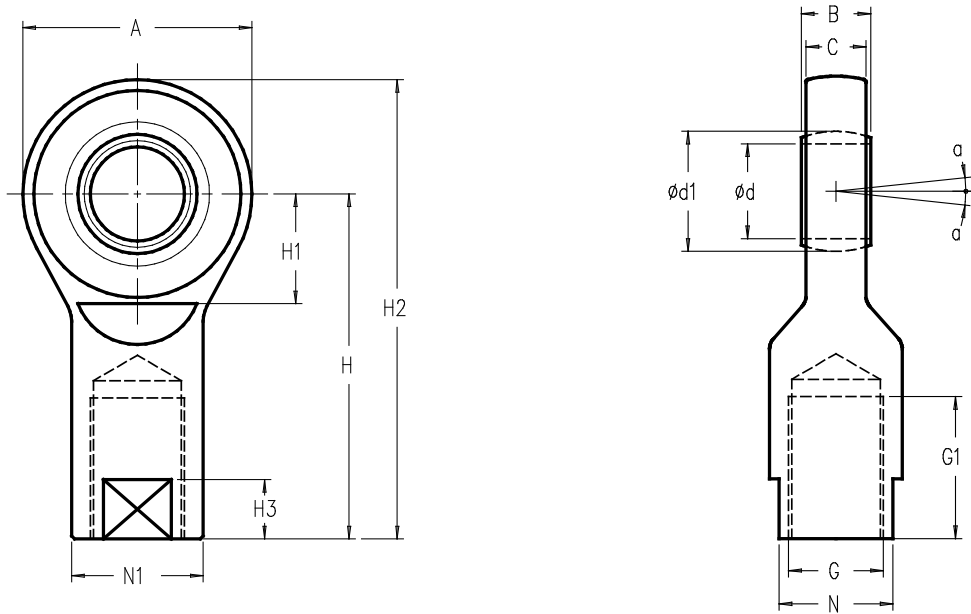


SUPOR →

APPUI →



EMBOF > STANDARD DIMENSIONS



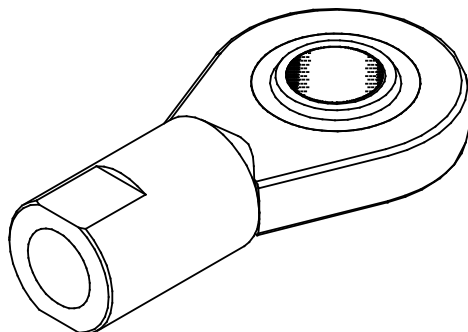
Ref. Item*	Dimension G	Capacities (N)		Ød	A	B	C	H	a (degree)	Ød1	G1	H1	H2	H3	N	N1	Weight (kg)
		Dynamic	Static														
EMBOF-M6-BA	M6	3600	9000	6	21	6	4.3	30	13	10	11	10.5	40.5	8	9	11	0.017
EMBOF-M8-BA	M8	5850	14600	8	24	8	6	36	15	13	15	12	48	10	11	13	0.034
EMBOF-M10-BA	M10	8560	21600	10	29	9	7	43	12	16	15	14	57.5	11	14	16	0.060
EMBOF-M12-BA	M12	11400	28500	12	34	10	8	50	10	18	18	17.5	67	12	17	19	0.095
EMBOF-M16-BA	M16	22400	52000	17	46	14	11	67	10	25	24	23	90	15	22	25	0.23
EMBOF-M24x2-BA	M24x2	51000	102000	25	64	20	17	94	7	35.5	36	32	126	18	30	35	0.62
EMBOF-M30x2-BA	M30x2	65500	134000	30	73	22	19	110	6	40.7	45	35	146.5	19	36	42	0.97
EMBOF-M36x3-PTFE	M36x3	112000	143000	35	82	25	21	125	6	47	60	42	166	15	50	47	1.4
EMBOF-M45x3-PTFE	M45x3	220000	280000	50	112	35	30	160	6	66	68	60	216	20	65	62	3.55
EMBOF-M56x4-PTFE	M56x4	440000	630000	70	160	49	42	200	6	92	80	84	280	20	85	80	8.3
EMBOF-M64x4-PTFE	M64x4	570000	780000	80	180	55	47	230	6	105	85	100	320	25	100	95	13

\* Material: BA - bronze auto-lubricated; PTFE - polytetrafluoroethylene

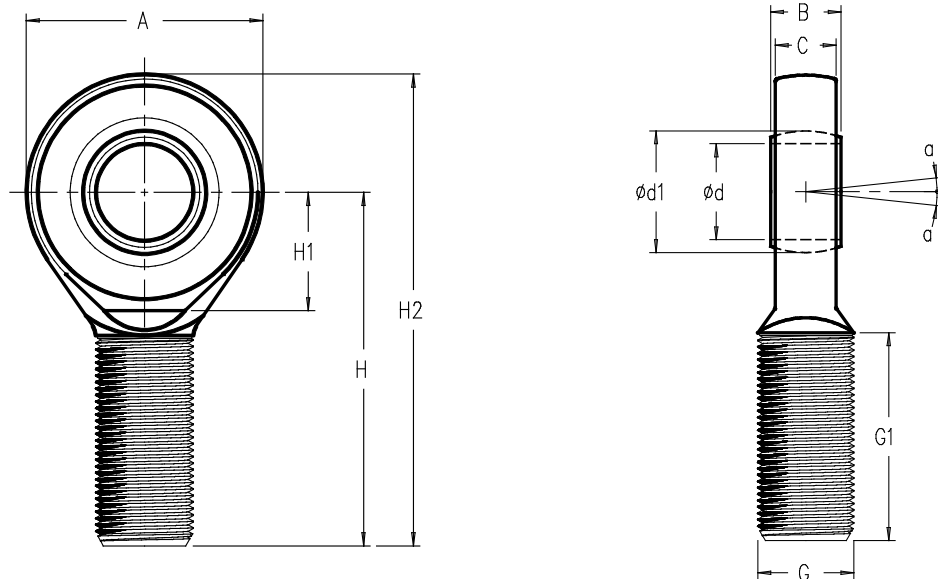
→ Other capacities and dimensions available on request

Dimensions in mm

Other view



EMBOM > STANDARD DIMENSIONS



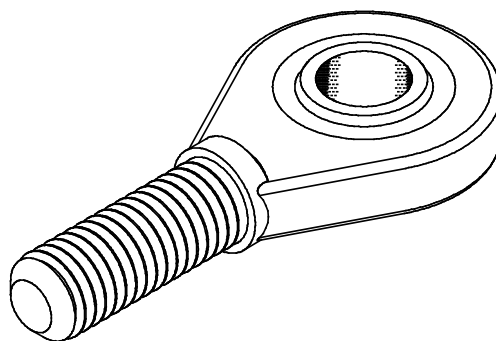
Ref. Item*	Dimension G	Capacities (N)		Ød	A	B	C	H	a (degree)	Ød1	G1	H1	H2	Weight (kg)
		Dynamic	Static											
EMBOM-M6-BA	M6	3600	9000	6	21	6	4.3	36	13	10	16	14	46.5	0.013
EMBOM-M8-BA	M8	5850	14600	8	24	8	6	42	15	13	21	14	54	0.025
EMBOM-M10-BA	M10	8560	21600	10	29	9	7	48	12	16	26	17	62.5	0.043
EMBOM-M12-BA	M12	11400	28500	12	34	10	8	54	10	18	28	18	71	0.065
EMBOM-M16-BA	M16	22400	52000	17	46	14	11	69	10	25	36	23	92	0.17
EMBOM-M20x1.5-BA	M20x1.5	31500	70000	20	53	16	13	78	9	29	43	25	104.5	0.28
EMBOM-M24x2-BA	M24x2	51000	102000	25	64	20	17	94	7	35.5	53	32	126	0.5
EMBOM-M30x2-BA	M30x2	65500	134000	30	73	22	19	110	6	40.7	65	33	146.5	0.83
EMBOM-M36x3-PTFE	M36x3	112000	143000	35	82	25	21	140	6	47	82	42	181	1.4
EMBOM-M45x3-PTFE	M45x3	220000	280000	50	112	35	30	185	6	66	104	60	241	3.55
EMBOM-M56x4-PTFE	M56x4	440000	630000	70	160	49	42	235	6	92	125	87	315	7.9
EMBOM-M60x4-PTFE	M60x4	345000	440000	60	135	44	38	225	6	80	120	70	292.5	6.25
EMBOM-M64x4-PTFE	M64x4	570000	780000	80	180	55	47	270	6	105	140	100	360	12

\* Material: BA - bronze-auto lubricated ; PTFE - polytetrafluoroethylene

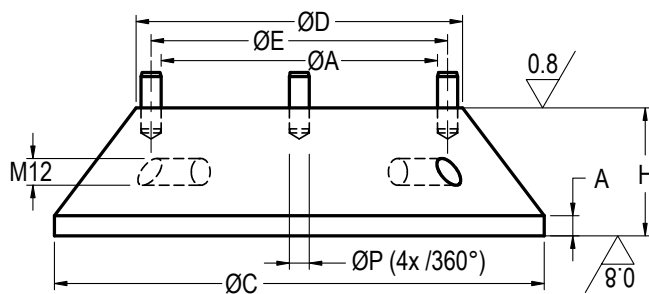
→ Other capacities and dimensions available on request

Dimensions in mm

Other view



PADIN > STANDARD DIMENSIONS

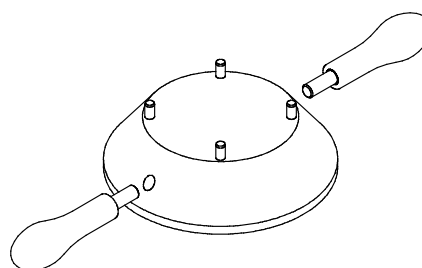
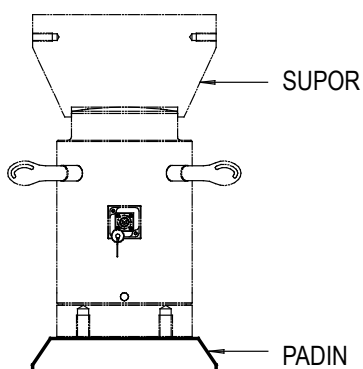
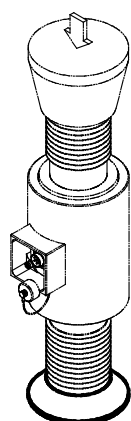


Ref. Item	Types	ØA	ØC	ØD	ØE	ØP	A	H	M12	Weight (kg)
PADIN-24	24	25	59	36	29	4	3	22	/	0.34
PADIN-30	30	31	64	40	35	4	3	22	/	0.4
PADIN-42	42	43	74	52	47	4	3	20	/	0.53
PADIN-45	45	46	79	56	50	4	3	21	/	0.64
PADIN-64	64	65	99	75	69	4	3	22	/	1.1
PADIN-64E	64E	65	129	75	69	4	4	25	/	1.8
PADIN-100A	100A	91	129	110	95	4	4	25	/	2.3
PADIN-100B	100B	100	129	110	104	4	4	25	/	2.3
PADIN-110E	110E	111	195	130	119	8	8	51	2x / 360°	9.4
PADIN-125AA	125AA	120	158	144	128	8	6	25	/	3.7
PADIN-125AB	125AB	126	158	144	134	8	6	25	/	3.7
PADIN-125B	125B	126	195	150	134	8	8	45	2x / 360°	9
PADIN-160	160	162	248	180	170	8	11	60	2x / 360°	18.6
PADIN-200A	200A	202	308	235	214	12	12	67	2x / 360°	32.9
PADIN-200B	200B	202	353	235	214	12	12	90	4x / 360°	52.5
PADIN-210	210	207	248	225	215	8	6	30	2x / 360°	11
PADIN-230	230	232	353	262	244	12	8	80	2x / 360°	50
PADIN-250	250	252	438	280	264	12	10	80	4x / 360°	69.75
PADIN-300	300	296	353	325	308	12	6	35	2x / 360°	25.8
PADIN-330	330	333	438	370	349	16	8	60	4x / 360°	62
PADIN-330A	330A	333	503	370	349	16	8	115	4x / 360°	140
PADIN-365	365	367	503	400	379	12	8	80	4x / 360°	105
PADIN-400A	400A	403	594	448	423	20	8	120	4x / 360°	205
PADIN-445	445	448	594	485	464	16	8	85	4x / 360°	156
PADIN-495	495	501	694	548	521	20	8	110	4x / 360°	266
PADIN-540	540	546	795	613	576	30	8	130	4x M16 / 360°	405

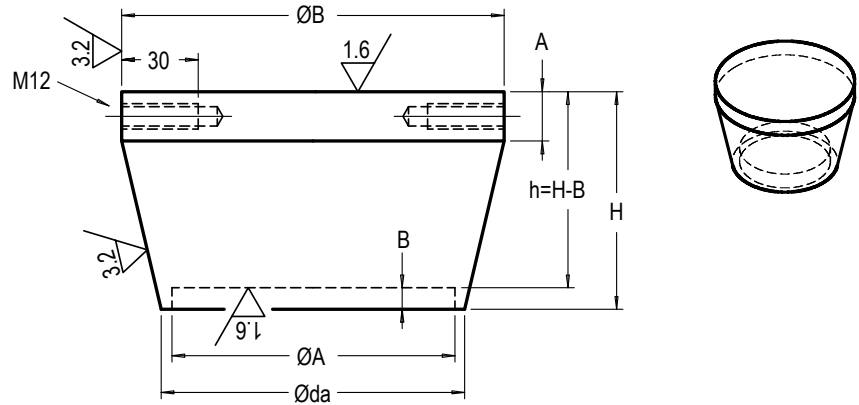
→ Other capacities and dimensions available on request

Dimensions in mm

Other views



SUPOR > STANDARD DIMENSIONS

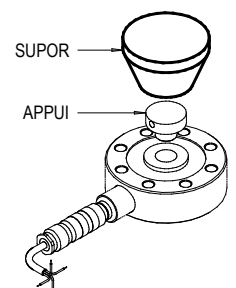
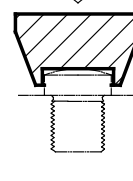
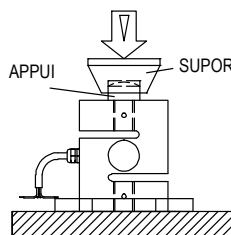
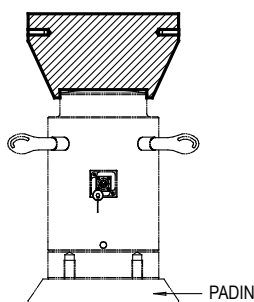
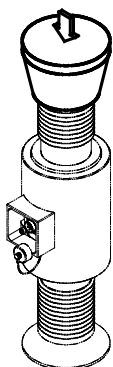


Ref. Item	Types	ØA	ØB	Øda	A	B	H	h	M12 L=30 (degree)	Weight (kg)
SUPOR-12	12	12	34	20	7	4	23	19	NO	0.12
SUPOR-20	20	20	49	30	8	5	31	26	NO	0.33
SUPOR-24	24	24	59	35	9	6	36	30	NO	0.55
SUPOR-30	30	30	64	40	9	6	41	35	NO	0.74
SUPOR-36	36	36	69	46	10	7	46	39	NO	0.98
SUPOR-45	45	45	79	56	11	12	53	41	NO	1.5
SUPOR-56	56	56	79	66	12	8	48	40	NO	1.5
SUPOR-64	64	64	99	75	12	17	64	47	NO	2.8
SUPOR-64E	64E	64	114	75	12	17	75	58	NO	4.14
SUPOR-69	69	69	79	75	12	12	52	40	NO	1.6
SUPOR-90	90	90	129	100	15	17	79	62	NO	6
SUPOR-90B	90B	90	164	100	15	17	109	92	NO	12.2
SUPOR-110	110	110	195	135	20	19	109	90	2x to 180	18.7
SUPOR-125A	125A	125	158	135	20	19	94	75	2x to 180	11.3
SUPOR-125B	125B	125	195	135	20	19	109	90	2x to 180	18.3
SUPOR-160	160	160	248	±170	30	20	146	126	2x to 180	40
SUPOR-200A	200A	200	308	±210	30	20	175	155	2x to 180	73
SUPOR-200B	200B	200	353	±210	30	20	200	180	4x to 90	103
SUPOR-230	230	230	353	±270	50	35	211.5	176.5	4x to 90	125
SUPOR-250A	250A	250	438	±290	40	30	250	220	6x to 60	209
SUPOR-250B	250B	250	503	±290	40	30	285	255	6x to 60	294
SUPOR-300A	300A	300	594	±340	50	40	337	297	6x to 60	481
SUPOR-330A	330A	330	503	±370	50	50	301.5	251.5	6x to 60	341
SUPOR-360A	360A	360	694	±401	100	50	397	347	6x M24 / 360	818
SUPOR-400A	400A	400	594	±440	50	55	352	297	6x to 60	555
SUPOR-430A	430A	430	795	±470	±100	50	448	398	6x M30 / 360	1209

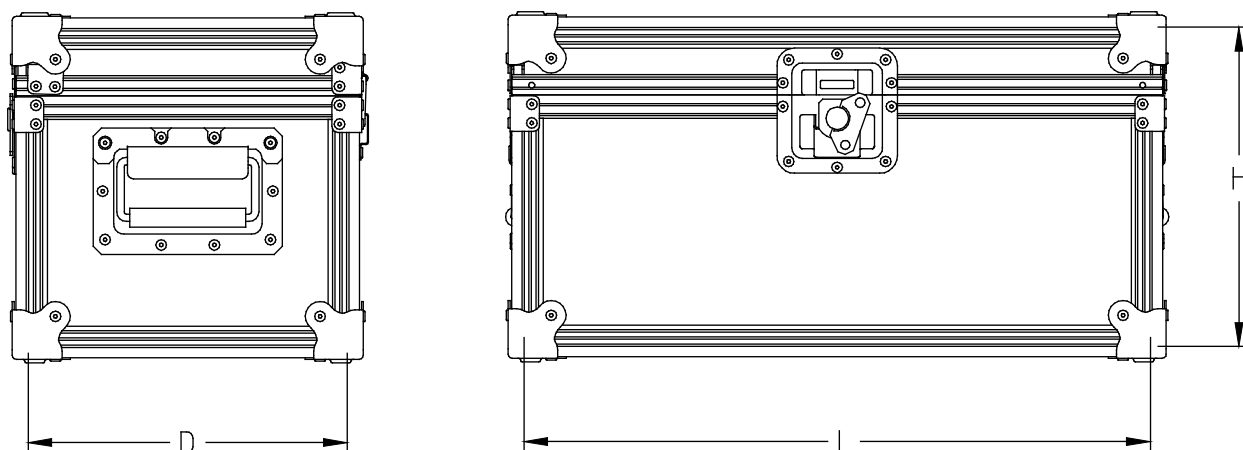
→ Other capacities and dimensions available on request

Dimensions in mm

Other views



→ CASE-F > STANDARD DIMENSIONS

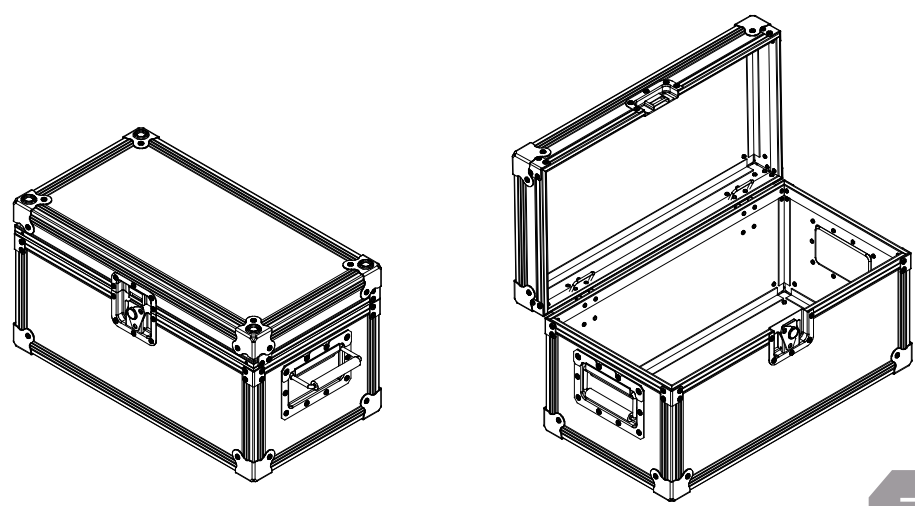


Ref. Item	Type	L (internal)	D (internal)	H (internal)	Weight (kg)
CASE-F410	F410	410	340	250	±7
CASE-F530	F530	530	270	270	±7
CASE-F590	F590	590	480	210	±12
CASE-F1000	F1000	1000	350	190	±11

→ Other capacities and dimensions available on request

Dimensions in mm

Other views







# ANNEXES

- Definitions: Most popular options	p. 296
- Option cards for PAX, CRANE-BOY, INDI-BOY, DISP-BOY family	p. 303
- Definitions: Certifications	p. 304
- Definitions: Technical features	p. 305
- SENSY software	p. 306
- Stainless steel screws: Features and references	p. 310
- IP codes (International Protection Marking)	p. 311



# DESCRIPTION OF MOST USED OPTIONS

## OPTION DESCRIPTION



Amplified output

### Amplified output

Signal conditioners for strain gauges are high-performance amplifiers built into the load cell. They amplify and convert the input signal (mV) into an output signal (mA or V). The current amplifiers make it possible to maintain an accuracy higher than 0.1 % at the different temperatures used. Robust and small in design (with an optional housing), their installation is easy and their temperature range is  $-40^{\circ}\text{C}$  to  $+85^{\circ}\text{C}$ . These analogue amplification boards are designed to work in an industrial environment and offer both high stability and fast response. The directly amplified force transducer can be applied where space, weight and cost are limited as well as in areas where there are many electromagnetic signal disturbances.

## OPTION DESCRIPTION



Angle Measurement

### Angle measurement

This allows the angle of rotation to be measured at the same time as the torque. This information is provided in the form of two square waveforms providing 360 periods per revolution and offset by a quarter of a period to determine the direction of rotation.

## OPTION DESCRIPTION



Attachment arm

### Articulated arm

This accessory makes it possible to fix the running line tensiometer to the structure while leaving it sufficient freedom to follow the movements of the rope.

## OPTION DESCRIPTION



ASTM E74

### ASTM E74

The ASTM E74 standard is unique to the USA and serves the same purpose as the international standard ISO 376, i.e.: "Calibration of force measuring instruments used for the verification of uniaxial testing machines". It deals more generally with the calibration methods which can be used to perform the calibration.

Two categories of force transducers are differentiated:

- class AA: for secondary force standard dynamometers, i.e. used as references for calibrating other dynamometers.
- class A: for dynamometers used for checking testing machines.

This distinction introduces differences in the calibration procedure. The results of the calibration are used to define the area of use in the category to which the dynamometer belongs. A key difference from ISO 376 is that the ASTM protocol is based in part on calibration uncertainty.

## OPTION DESCRIPTION



Cable length

### Cable length

Transducers are defined as standard with a typical cable length. (e.g. 8 m for the '5510' model). It is possible to modify this length on request. Note: the maximum length can be limited especially in particular:

- by the presence of electromagnetic disturbances which then require amplification of the signal at the transducer to convey a robust signal of type 4 ... 20 mA / 0...10 V;
- for Ex i-certified transducers for operation in explosive zones for which the solution is to use a local amplification (e.g.: option C6 - model 'ANALOGUE AMPLIFIER' - delivering a signal 4 ... 20 mA 2 wires) enabling the use of a loop insulator accepting longer cables than the Zener barriers.

## OPTION DESCRIPTION



Calculation note

### Calculation note

Calculation note to demonstrate the mechanical strength and technical relevance of the design of a transducer according to its measurement range, its safety factor, the fatigue strength required and the characteristics of the material used.

## OPTION DESCRIPTION



Calibration resistance







### Calibration resistance

A resistor intended to be connected in parallel on one of the Wheatstone bridge branches in order to create a known imbalance and thus to simulate a known force or torque. This makes it possible to calibrate and verify the control electronics without applying a physical quantity to the force transducer or torque meter. A calibration resistor is therefore determined for a specific branch of a specific force transducer.




It can be internal to the transducer and activated by connecting two wires. It can also be external (supplied in a sachet).

# DESCRIPTION OF MOST USED OPTIONS



OPTION	DESCRIPTION
	<p><b>CE hoisting</b></p> <p>CE Hoisting logo is SENSY specific. This means that the material is certified by SENSY to be integrated in the kinematic chain of a lifting system.</p> <p>To do this, SENSY provides a manufacturer folder which guarantees the overload resistance (breaking load coefficient of 5 for lifting systems and 10 for elevators) as well as the fatigue resistance.</p> <p>The CE Hoisting certification is not enough for the use of load cells in an overload protection systems. Indeed, in addition, a load cell used for crane overload protection must be conform to the concept of "fail safe"; namely that it must stop the lifting in case of any anomaly. This is for example not the case for load cells with wireless transmission like models: 5000-WI, 5000M-WI, 5050-WI and 5050M-WI...</p>
 <p>Charpy certificate</p>	<p><b>Charpy certificate</b></p> <p>This type of test makes it possible to control the impact resistance or the ductility of the proof body of a force transducer.</p> <p>The Charpy test is carried out on a specimen in the same material as that of the force transducer accompanied by a test report certified by an approved laboratory.</p>
	<p><b>Connector output</b></p> <p>As the standard, industrial and weighing transducers are generally equipped with a cable gland. This option replaces the latter with a connector so that it easy to disconnect from the cable. These connectors are chosen according to the transducer's environment. Some very specific connectors can also be used underwater (they can even be disconnected and connected underwater) while being subjected to high pressure.</p>
 <p>Digital output</p>	<p><b>Digital output</b></p> <p>The RS-232 and RS-485 options are high-performance digital amplifier boards for analogue / digital signal conversion which are typically used for high-accuracy transducers. The board has been developed for mounting in most of our strain gauge force transducers and provides a very stable RS-232 / RS-485 digital output signal in the MODBUS or ASCII protocol.</p>
 <p>Dual Wheatstone bridge</p>	<p><b>Dual Wheatstone bridge</b></p> <p>A double bridge force transducer is a transducer with two independent Wheatstone bridges equipped with strain gauges. In the context of high-risk industrial applications where, according to the Machine Directive, high levels of SIL (Safety Integrity Levels) or PL (Performance Levels) are required, safety is provided by an independent safety control device. The device's critical point of performance lies in its resistance to defects. This resistance depends on both the quality and reliability of the components, and in particular on its structure (or architecture). These safety devices are essentially built according to the well-known 'measurement signal / control logic / actuator' architecture. High SIL or PL levels can only be achieved by using the redundancy of the parts. Thanks to these double bridge measuring force transducers, SENSY technology enables the redundancy of the required measuring signal to be supplied to the safety control logic device. The monitoring and comparison of these redundant signals, performed by the control logic (safety PLC, configurable logic block 'fail-safe') provides the means of avoiding, detecting or tolerating defects. In this case, a fault in the measurement signal will be detected and processed before the next request for the safety function. Another reason to employ a second bridge is to have a spare bridge for very large capacity transducers or for transducers placed where mounting and accessibility are very difficult in order to facilitate dealing with the problem of signal drift or ripped cable.</p>
 <p>Dye penetrant certificate</p>	<p><b>Dye penetrant certificate</b></p> <p>Dye penetrant test certificate after machining.</p> <p>This type of test makes it possible to check the absence of any micro-cracks likely to cause the rupture of certain fatigue-rated transducers.</p>
<p><b>EN 12390</b></p> <p>Accredited laboratory certificate</p>	<p><b>EN 12390</b></p> <p>The EN 12390 and EN 12350 series of standards deal with concrete tests. The machines used for compressive strength testing of hardened concrete are tested according to the European standard EN 12390-4. The standard transducers manufactured by SENSY, have four separate gauge bridges to identify any parallelism anomaly on the machine. They may also be associated with an ISO 376 qualification and require an official certificate from a certified body based on tests carried out according to EN 12390-4.</p>
<p><b>Ex i</b></p>	<p><b>Ex i</b></p> <p>Type of protection is based on the limitation of electrical energy provided to an equipment and its wiring exposed to explosive atmosphere at a level below that which may cause ignition by a spark or thermal effect.</p> <p>Force transducers and torque meters equipped with this option are considered to be intrinsically safe, which allows them to work in explosives areas. SENSY load cells are ATEX Ex ia IIC T4 and T6, IECEx Ex ia IIC T6 and CSA (Canada and US) Class 1 Div 1 certified.</p>


# DESCRIPTION OF MOST USED OPTIONS


OPTION	DESCRIPTION
<b>Ex d</b>	<p><b>Ex d</b></p> <p>This is an envelope (housing or proof body of the force transducer) enclosing components that can ignite an explosive gaseous atmosphere. The transducer structure is therefore designed to resist the pressure developed during an internal explosion of an explosive mixture and prevents the transmission of this one to the surrounding explosive atmosphere of the envelope.</p> <p>We offer this type of option on our load pin model '5050' or for some of our electronics (displays, load limiters, etc.). In the latter case, these are placed in suitable explosion-proof housings.</p>
 Up to 800 m	<p><b>External antenna</b></p> <p>Options for the wireless transmission of measurements have an internal antenna as standard. Depending on the application, it is sometimes necessary to increase the range of our wireless transmitters.</p> <p>We also offer external antennas for the industrial sector as well as for explosive areas with our Ex i wireless transmitters.</p>
20... 100 kHz Frequency output	<p><b>Frequency output</b></p> <p>This provides a signal in the form of frequency modulation to overcome electromagnetic disturbances.</p>
 High pressure resistance	<p><b>High-pressure resistance</b></p> <p>This option involves design and components (e.g. gaskets) that can withstand high pressures. It is therefore necessary to know the nature of the fluid under pressure (water, air, oil, etc. ...), the maximum pressure to which the transducer will be subjected as well as the duration of exposure to this pressure.</p>
 Hydraulic hose	<p><b>Hydraulic hose</b></p> <p>Mechanical protection of the cable by using a hydraulic sheath. This option is recommended in environments where the cable is subject to mechanical and chemical aggressions.</p>
<b>IP64</b> Not for Angle Sensor	<p><b>IP64</b></p> <p>The protection rating of our force transducers is in accordance with the international standard of the International Electrotechnical Commission for waterproofing.</p>
<b>IP65</b> Not for Angle Sensor	<p><b>IP65</b></p> <p>The protection rating of our force transducers is in accordance with the international standard of the International Electrotechnical Commission for waterproofing.</p> <p>In the case of IP65, this corresponds to total protection against dust and strong jets of water in all directions.</p>
<b>IP67 MARINE</b>	<p><b>IP67 MARINE</b></p> <p>The protection rating of our force transducers is in accordance with the international standard of the International Electrotechnical Commission for waterproofing. In the case of IP67 MARINE, this corresponds to total protection against dust and the effects of immersion (1 m max) with corrosion resistance adapted to marine environments.</p>
<b>IP68</b>	<p><b>IP68</b></p> <p>The waterproofness is such that it is possible to immerse the transducer without altering its performance.</p> <p>In order to optimise the protection techniques, it is necessary to know the depth to which the transducer will be immersed as well as the duration of immersion and the characteristics of the liquid.</p>


# DESCRIPTION OF MOST USED OPTIONS




OPTION	DESCRIPTION
<b>IP69K</b>	<b>IP69K</b> The protection rating of our force transducers is in accordance with the international standard of the International Electrotechnical Commission for waterproofing.
	In the case of the IP69K, this corresponds to protection against high-pressure cleaning, at high temperature and coming from several directions.

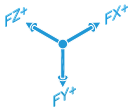
OPTION	DESCRIPTION
 <b>Class 00</b>	<b>ISO 376 - class 00</b> The purpose of ISO 376 is to calibrate force-measuring instruments used for the static verification of uniaxial testing machines (e.g. tension/compression testing machines). It describes a procedure for classifying these instruments. These high-precision, so-called "transfer" standard transducers make the link between national metrology and testing machines that must be (re)-calibrated.
	The class of the instrument must be equal to or better than the class for which the machine is to be calibrated according to ISO 7500-1. With this option, these high-accuracy-transducers not only allow the calibration of scale machines in classes 05, 1 or 2 but also enable intercomparison tests between national standards.


OPTION	DESCRIPTION
 <b>Class 0,5</b>	<b>ISO 376 - class 0,5</b> The purpose of ISO 376 is to calibrate force-measuring instruments used for the static verification of uniaxial testing machines (e.g. tension/compression testing machines). It describes a procedure for classifying these instruments. These high-precision, so-called "transfer" standard transducers make the link between national metrology and testing machines that must be (re)-calibrated.
	The class of the instrument must be equal to or better than the class for which the machine is to be calibrated according to ISO 7500-1. This option allows for the calibration of scale machines in classes 0,5, 1 or 2.

OPTION	DESCRIPTION
 <b>Class 1</b>	<b>ISO 376 - class 1</b> The purpose of ISO 376 is to calibrate force-measuring instruments used for the static verification of uniaxial testing machines (e.g. tension/compression testing machines). It describes a procedure for classifying these instruments. These high-precision, so-called "transfer" standard transducers make the link between national metrology and testing machines that must be (re)-calibrated.
	The class of the instrument must be equal to or better than the class for which the machine is to be calibrated according to ISO 7500-1. This option allows for the calibration of scale machines in classes 1 or 2.



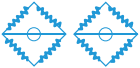


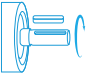

OPTION	DESCRIPTION
<b>ISO 376</b> Accredited laboratory certificate	<b>ISO 376 - Accredited laboratory certificate</b> The purpose of ISO 376 is the calibration of force-measuring instruments used for the static verification of uniaxial testing machines (e.g. tension/compression testing machines). It describes a procedure for classifying these instruments. These high-precision, so-called "transfer" standard transducers make the link between national metrology and testing machines that must be (re)-calibrated.

OPTION	DESCRIPTION
 Magnetic certificate	<b>Magnetoscopic test certificate</b> Magnetoscopic test certificate after machining. This method makes possible the detection of the presence of cracks that can cause the transducer to break.

OPTION	DESCRIPTION
	<b>Multi-axis load cells</b> For some types of proof bodies, it is possible to manufacture load cells with several gauge bridges in order to measure forces in different directions. In particular for load pins, it is allowed to measure the force in two orthogonal directions (Fx, Fy). This allows the resultant force to be calculated, without knowing the direction, by using the formula:  $F \text{ Result.} = \sqrt{(F_x^2 + F_y^2)}$

OPTION	DESCRIPTION
	<b>Multi-direction</b> For some applications it is necessary to know both the forces and the moments in several directions: for example, a torque wrench for which the torque as well as the thrust have to be measured. This can be done using a single transducer equipped with several gauge bridges in an appropriate design.

# DESCRIPTION OF MOST USED OPTIONS


OPTION	DESCRIPTION
	<b>Overload protection</b> <p>Transducers associated with overload protection electronics (crane, EOT crane, lift, nacelle, etc.) are defined as "safety components placed on the market separately" and must comply with the essential requirements of the Machine Directive 2006/42/EC for safety component aspects and the Electromagnetic Compatibility Directive 2014/30/EU.</p> <p>They are the subject of specific strain studies and a choice of appropriate material of aeronautical quality, to prevent any risk of rupture. SENSY S.A. keeps the technical file certifying the said conformity at the disposal of the authorities throughout the legal period (in reality, the documents are kept for more than 30 years, although the lifespan of a transducer may be more than 50 years).</p>
 COVER	<b>Protective cover</b> <p>The cover is designed to improve the mechanical protection of a transducer which, as the norm, only has a silicone layer on the strain gauges.</p>
 Sheaves of synthetic material	<b>REA synthetic option (tensiometer)</b> <p>Use of sheaves made from synthetic materials instead of metal sheaves for particular applications (cable type, cable diameter, weight, etc.).</p>
 SIL 3 COMPLIANT	<b>SIL (Safety Integrity Levels) / EN-61508 compliant</b> <p>In the context of high-risk industrial applications where, according to the Machine Directive, high levels of SIL (Safety Integrity Levels – EN 62061 standard) or PL (Performance Levels – ISO 13849 standard) are required, safety is provided by an independent safety control device. The critical point of the device's performance lies in its resistance to defects. This depends on the quality and reliability of the components, and in particular its structure (or architecture). These safety devices are essentially built according to the well-known architecture (measurement signal / control logic / actuator). High SIL or PL levels can only be achieved by using the redundancy of the parts. Thanks to these double-bridge measuring transducers, SENSY technology enables the redundancy of the required measuring signal to be supplied to the safety control logic device. The monitoring and comparison of these redundant signals, performed by the control logic (safety PLC, configurable logic block 'fail-safe') provides the means of avoiding, detecting or tolerating defects. In this case, a fault in the measurement signal will be detected and processed before the next request for the safety function.</p>
 SOFTWARE AVAILABLE	<b>Software</b> <p>The signals from our force transducers can be used either through industrial displays or via acquisition software. SENSY has developed a range of specialized software either for computers (SOFT-ISO376, SOFT-ISO7500, SOFT-EN12390, ...) or for industrial PLCs. These applications make it possible to acquire the signals of one or more force transducers/load pins via different types of interfaces (RS-232, RS-485, USB, wireless, etc.).</p> <p>For example, when supplying a complete measuring system, we also regularly offer to develop customised applications.</p>
 Special Impedance	<b>Special impedance</b> <p>The force transducers and the torque meters are made from strain gauges connected via a Wheatstone bridge. The impedance of this bridge depends on the type of gauges (usually 350 Ω) and the number of these in each of the branches. As a result, there is a standard impedance for each force transducer which depends on the model, the measurement range and finally the required accuracy.</p> <p>This impedance can be adapted (700, 1000, 5000 Ω) for certain applications: need for low consumption (e.g. battery operation, amplifier 4 ... 20 mA 2 wires) or the need to limit heat dissipation (Ex i certified transducers (intrinsic safety), small transducers).</p>
 Speed sensor	<b>Speed transducer</b> <p>Measurement of the rotation speed.</p> <p>This option is proposed for rotating torque meters and tensiometers to measure the running speed of the cable.</p>
 Spider lubrication hole	<b>Spider lubrication hole</b> <p>In the case of load pins, to avoid wear due to friction, it is possible to provide a lubrication hole(s) to lubricate the areas where the forces are applied to limit wear and avoid seizure. This lubrication hole can be a 'spider' to improve the distribution of the lubricant over the entire contact area.</p>

# DESCRIPTION OF MOST USED OPTIONS



**OPTION**      **DESCRIPTION**

---

 **Stainless steel connector**  
 4 poles miniature standardised connector with mechanical parts made of stainless steel to replace the standard connector (9 pins binder according to DIN 45322 with chromed brass mechanical parts).

STAINLESS STEEL


**OPTION**      **DESCRIPTION**

---

 **Subsea load pin with 'wet mate' connector**  
 This option allows the cable from a transducer to be connected or disconnected under water. This option is obviously expensive but is recommended for underwater applications where the connecting cable must be removable.

**OPTION**      **DESCRIPTION**

---

 **Subsea load pin with 'submersible' connector**  
 Waterproofness of the proof body and connector for immersing the load pin. It is necessary to specify the depth and duration of immersion to optimise the design and life of its components.

Submerged

**OPTION**      **DESCRIPTION**

---

**ANODISING**  
 Surface treatment

**Surface treatment: anodising**  
 Anodising refers to an electrolytic treatment that creates a thin layer of oxide on the surface of a metal body. It is used in particular for aluminum and its alloys on which a layer of alumina of 10 to 50 microns increases its resistance to wear and corrosion. Anodising also improves the visual appearance of the force transducer or accessory.

**OPTION**      **DESCRIPTION**

---

**CHROME PLATING**  
 Surface treatment

**Surface treatment: chrome-plating**  
 Application by electrolysis of a chromium layer on the surface of the proof body of a force transducer or its accessory to improve its resistance to corrosion. This operation enhances the product's visual appearance and makes it easier to clean (e.g. food industry).

**OPTION**      **DESCRIPTION**


---

**NICKEL MARINE**  
 Surface treatment

**Surface treatment: nickel marine**  
 Additional surface treatment to the proof body of a force transducer or its accessory made of alloy steel to increase its corrosion resistance for use in the marine environment.

**OPTION**      **DESCRIPTION**

---

 **Passivation treatment**

**Surface treatment: passivation**  
 Passivation is a surface treatment intended to create a protective film against corrosion on the surface of a metal body. For example, in the case of stainless steel, a tight protective layer of chromium oxide will be formed in the presence of oxygen in the air which is able to regenerate in case of accidental deterioration of the surface.

**OPTION**      **DESCRIPTION**

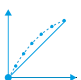
---

**TEFLON**  
 Surface treatment

**Surface treatment: teflon**  
 Application of a Teflon (PTFE) layer to the surface of the proof body of a force transducer or its accessory to improve its resistance to friction and corrosion, even at high temperatures.

**OPTION**      **DESCRIPTION**


---


 **Teds linearity**


**TEDS (Transducer Electronic Data Sheet)**  
 This technology is not only compatible with force transducers but has been designed to be used with all types of transducers (temperature, pressure, accelerometer, etc.). It consists of a digital circuit for transmitting the information necessary for its calibration to the measurement electronics. Other information is stored in the memory of this chip: for example, transducer type, serial number, year of manufacture, manufacturer, etc. In this way, when the force transducer is connected to a TEDS-compatible indicator, it behaves like a fully 'plug and play' feature with automatic calibration which allows N, kg or t to be displayed directly, rather than mV.


Note: when necessary, and depending on the design of the transducer or application, it is also possible to improve the linearity of the transducer by integrating pairs of points and the corresponding adjustments into the memory.


# DESCRIPTION OF MOST USED OPTIONS


OPTION	DESCRIPTION
 -30°C...+130°C -40°C...+180°C -50°C...+130°C -50°C...+150°C -50°C...+180°C	<b>Temperature range</b> When manufacturing force transducers or torque meters, SENSY takes into account three types of temperature range: <ul style="list-style-type: none"><li>• The compensated temperature range where the thermal drift of the force transducer is corrected, optimised and verified during its manufacturing (standard: -10°C ... +45°C).</li><li>• The nominal operating temperature range (standard: -30°C ... +70°C) for which the transducer has been designed and qualified but which is not subjected to systematic temperature control. Nevertheless, the drift remains substantially the same as over the compensated temperature range. As an option and depending on the models, we propose to extend the operating temperature from to -50°C ... +180°C and, if necessary, to compensate for a part or all these temperatures.</li><li>• The storage temperature range (standard: -50°C ... +85°C) which is always adapted according to the chosen temperature option.</li></ul>

OPTION	DESCRIPTION
 Third inspection	<b>Third inspection</b> A request for an inspection by an authorised third party (e.g. Lloyd's) of an order during production and upon delivery.


OPTION	DESCRIPTION
 US control	<b>US control</b> Ultrasonic testing for fault detection within a material. This is based on ultrasonic waves transmission and reflection inside a material, such as the proof body of a transducer or loading accessory.

OPTION	DESCRIPTION
 USB	<b>USB</b> The COND-USB is a digital conditioner designed to convert the signal from the gauge bridge of our force transducers to a USB-type digital output. This product is totally 'plug and play' since it is directly powered by the USB port and no additional energy source is needed to power the force transducer. Thus, it is sufficient to connect it to a computer or PLC to recover the measurement of the force measured by the force transducer.  The rugged metal housing on the converter equips the device for use in all indoor environments.

OPTION	DESCRIPTION
 Vacuum proof	<b>Vacuum proof</b> This option involves the use of materials capable of withstanding the vacuum in the long term and in particular not to be subjected to degassing. It is necessary to know the value of the vacuum (absolute pressure) as well as the duration of exposure to this vacuum for an optimal definition of the required components.

OPTION	DESCRIPTION
 Tightness certificate	<b>Waterproofness certificate</b> Waterproofness certificate: this type of test makes it possible, for example, to check the waterproofness of a load pin intended for underwater use.

OPTION	DESCRIPTION
 Wireless	<b>Wireless</b> Depending on the application, it may be interesting to recover the signals from force transducers or load pins by replacing the wiring with a wireless link. Our wireless options enable us to provide wireless communications in industrial environments as well as in explosive areas.  The proposed solutions are suitable for measuring force as well as for lifting (for example, recovering the signal from load shackle on a portable indicator), but exclude safety functions such as overload protection. They are available as both single channel and multiplexed options to connect multiple transducers to the same wireless display.

OPTION	DESCRIPTION
 Xray proof	<b>X-ray proof</b> Withstand ionising radiation. This option involves the use of materials resistant to ionising radiation (radioactivity). It is necessary to know the type of radiation (alpha, beta, gamma or X), the dose rate as well as the total dose accumulated during the life of the transducer to obtain an optimal definition of the required components.

# OPTIONAL CARDS

## Communication cards (max. 1 choice)

### CARD-CDC10

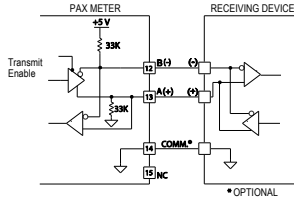


- RS-485 field bus communication interface

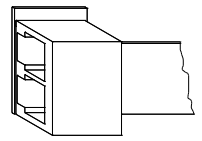
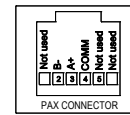
### CARD-CDC1C



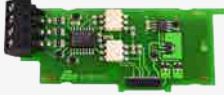
### CARD-CDC10



### CARD-CDC1C



### CARD-CDC20

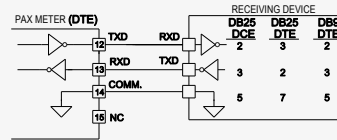


- RS-232 half-duplex communication interface  
Available with crew terminals or DB9 connector

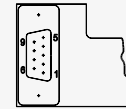
### CARD-CDC2C



### CARD-CDC20



### CARD-CDC2C



FEMALE  
PIN 2 TXD  
PIN 3 RXD  
PIN 5 COMMON

### CARD-CDC30



- DeviceNet communication interface

### CARD-CDC40



- Modbus communication interface

CARD-CDC40 is not necessary for models:

- INDI-PAXS2 DISP-PAXx2
- INDI-BOYS2 DISP-BOYP2
- CRANE-BOYS2 CRANE-BOYP2
- CRANE-SUMD2 DISP-SUMD2
- DISP-PAXDP, DISP-BOYDP, CRANE-BOYDP

### CARD-CDC50 / CARD-CDC50-CRANE\*



- Profibus-DP (EN 50170) communication interface

\* As the CARD-CDC50 is too long for the housing of the CRANE-BOY, the CARD-CDC50-CRANE is supplied with a spacer to be insert between the front of the electronics and the housing.

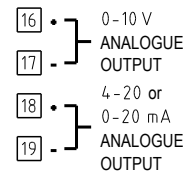
## Analogue output card

### CARD-CDL10



- Analogue output signal: 0-20 mA, 4-20 mA, 0-10 VDC

### CARD-CDL10



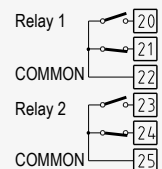
## Relay cards (max. 1 choice)

### CARD-CDS10 & CARD-CDS20

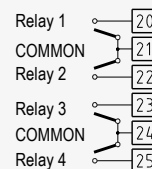


- 2 or 4 set-points activating each an independent relay

### CARD-CDS10



### CARD-CDS20



## Cards already included

- Analogue output card:

### CARD-CDL10

- Relay card:

### CARD-CDS20 (4 set-points)

- Models:

### CABIN-2xB1SUMD; CABIN-4xB1SUMD

- Models:

### INDI-BOY DISP-BOYP; CRANE-BOY CRANE-BOYP; DISP-BOYDP CRANE-BOYDP; CRANE-SUMD DISP-SUMD; CRANE-BOY-Exd; CABIN-2xB1SUMD; CABIN-4xB1SUMD.



# DEFINITIONS: CERTIFICATIONS

OPTION	DESCRIPTION
	<p><b>ATEX</b></p> <p>The ATEX (ATmosphère EXplosive in French) logo is specific to the European market and means that the material can be certified (option) to be used in an explosive environment.</p> <p>Most of the sensors can be Ex i certified (intrinsic safety) and some Ex d certified (explosion proof). The sensors with Ex i certification need to be connected to the electronics (located in a safe area) through Zener barriers or loop insulators that limit the transmitted energy. If the associated electronics need to function in an explosive environment, SENSY can integrate them in an explosion-proof certified housing.</p>
	<p><b>CE</b></p> <p>The CE logo means that the material corresponds to all the essential requirements for the different guidelines that are applicable in the European Union.</p>
	<p><b>CE Hoisting</b></p> <p>The CE Hoisting logo is SENSY-specific. This means that the material is certified by SENSY to be integrated in the kinematic chain of a lifting system.</p> <p>To do this, SENSY provides a manufacturer folder which guarantees the overload resistance (breaking load coefficient of 5 for lifting systems and 10 for elevators) as well as the fatigue resistance.</p> <p>The CE Hoisting certification is not sufficient for the use of load cells in an overload protection system. Indeed, in addition, a load cell used for crane overload protection must conform to the concept of "fail safe"; namely, it must stop the lifting in case of any anomaly. For example, this is not the case for load cells with wireless transmission, such as models: 5000-WI, 5000M-WI, 5050-WI and 5050M-WI...</p>
	<p><b>CSA</b></p> <p>The CSA logo is equivalent to the ATEX logo but is applicable to the North American markets (USA and Canada).</p>
	<p><b>IECEX</b></p> <p>The IECEX logo (International Electrotechnical Commission System for Certification to Standards Relating to Equipment for Use in Explosive Atmospheres) is equivalent to the ATEX logo but is applicable for the global market.</p>
	<p><b>ISO 376</b></p> <p>The purpose of ISO 376 is the calibration of force-measuring instruments used for the static verification of uniaxial testing machines (e.g. tension/compression testing machines). It describes a procedure for classifying these instruments. These high-precision, so-called "transfer" standard transducers make the link between national metrology and testing machines that must be (re)-calibrated.</p>
	<p><b>OIML</b></p> <p>OIML is the International Organization of Legal Metrology.</p> <p>In the SENSY documentation, the OIML logo means that the load cell or the weighing electronics are certified by an internationally recognised Metrology institute (PTB, NMI, NWML, etc.) as compliant to the international recommendation OIML concerning the type of material in order to integrate the sensor into a "legal" weighing system designed to measure the mass in order to determine its price.</p> <p>It is the R60 for the load cells and the R76 for the electronics (non-automatic weighing).</p>
	<p><b>OVERLOAD PROTECTION</b></p> <p>Transducers associated with overload protection electronics (crane, EOT crane, lift, nacelle, etc.) are defined as "safety components placed on the market separately" and must comply with the essential requirements of the Machine Directive 2006/42/EC for safety component aspects and the Electromagnetic Compatibility Directive 2014/30/EU.</p> <p>They are the subject of specific strain studies and a choice of appropriate material of aeronautical quality to prevent any risk of rupture. SENSY keeps the technical file certifying the said conformity at the disposal of the authorities throughout the legal period (in reality, the documents are kept for more than 30 years, although the lifespan of a transducer may be more than 50 years).</p>
	<p><b>EN 12390</b></p> <p>The EN 12390 and EN 12350 series of standards deal with concrete tests. The machines used for compressive strength testing of hardened concrete are tested according to the European standard EN 12390-4. The standard transducers manufactured by SENSY, have four separate gauge bridges to identify any parallelism anomaly on the machine. They may also be associated with an ISO 376 qualification and require an official certificate from a certified body based on tests carried out according to EN 12390-4.</p>



## DESCRIPTION

### Carbon cable

These small-diameter cables are made of carbon-fibre-reinforced materials. As there are many varieties it is essential to specify the characteristics of the cable concerned.

## DESCRIPTION

### Steel cable

A steel cable is an assembly of strands which are themselves an assembly of steel wires arranged in helical form around their respective core and assembled to become one. The cable allows for transmitting, force, movement and energy in an assembly of mechanical parts.

## DESCRIPTION

### Synthetic cable

Cable made from synthetic fibres (high-molecular-weight polyethylene) braided into 12 strands, with a hollow core. Its advantages over steel are: 8 x lighter, easier to handle, can hoist over longer distances, low elasticity, and in case of cutting there is no whiplash so it is safer.

## DESCRIPTION

### Deflection

Deformation along the main axis of a proof body, observed between a situation when no load is applied and nominal loading.

## DESCRIPTION

### Loading accessories

In order to verify the force sensors used in calibration or reference machines, loading wedges are employed to transmit the load to the measuring instrument. In the case of a wedge with two flat surfaces, to avoid any errors during the test they must be flat and parallel. In addition, the pressure on the machine trays must remain at less than 100 N/mm<sup>2</sup>. If necessary, it is possible to install intermediate plates with a force application diameter large enough to better distribute the pressure. Ideally, the effective height of a mounting compression accessory must be greater than or equal to half of the force application diameter of the latter. In addition, the cavity diameter of the accessory should be 0.1 to 0.2 mm greater than the diameter of the force-transmitting motor element to allow this part to be centred in the accessory without generating side contact between both parts.

## DESCRIPTION

### MTTFd

The reliability of components is obviously at the core of a system's ability to perform its security function. The lower the reliability of a component, the more likely it is that this component will cause failures (and therefore will be dangerous). However, it should be noted that it would be inconceivable to consider the reliability of a component as justification for achieving high levels of performance. Standard 13849 also provides a limit on the use of an MTTFd (100 years). This is because an MTTFd value is an average and does not reflect reality. It is therefore likely that a reliable product will fail, despite the small statistical probability. It is particularly true that, in the case of failure, this component will not immediately be identified as the probable cause of that failure.

## DESCRIPTION

### Wheatstone bridge

A Wheatstone bridge is an electrical circuit that can measure very small variations in electrical resistance. This technique is commonly used for strain gauge sensors because it accurately measures relative deformations of a few mm/m. If no force is applied to the sensor, the four gauges have the same resistance and the V. out output signal is zero.

If a force is applied in compression, gauges 1 and 4 become longer and consequently their resistance increases. Conversely, gauges 2 and 3 become shorter and their resistance decreases. As a result, the Wheatstone bridge is unbalanced and a positive V.out voltage can be measured. Conversely, this voltage becomes negative if a tension force is applied. If these relative variations are small (<1 %), we can consider that the relation (Force => Deformation => Resistance of the gauges => Electrical signal) is linear.

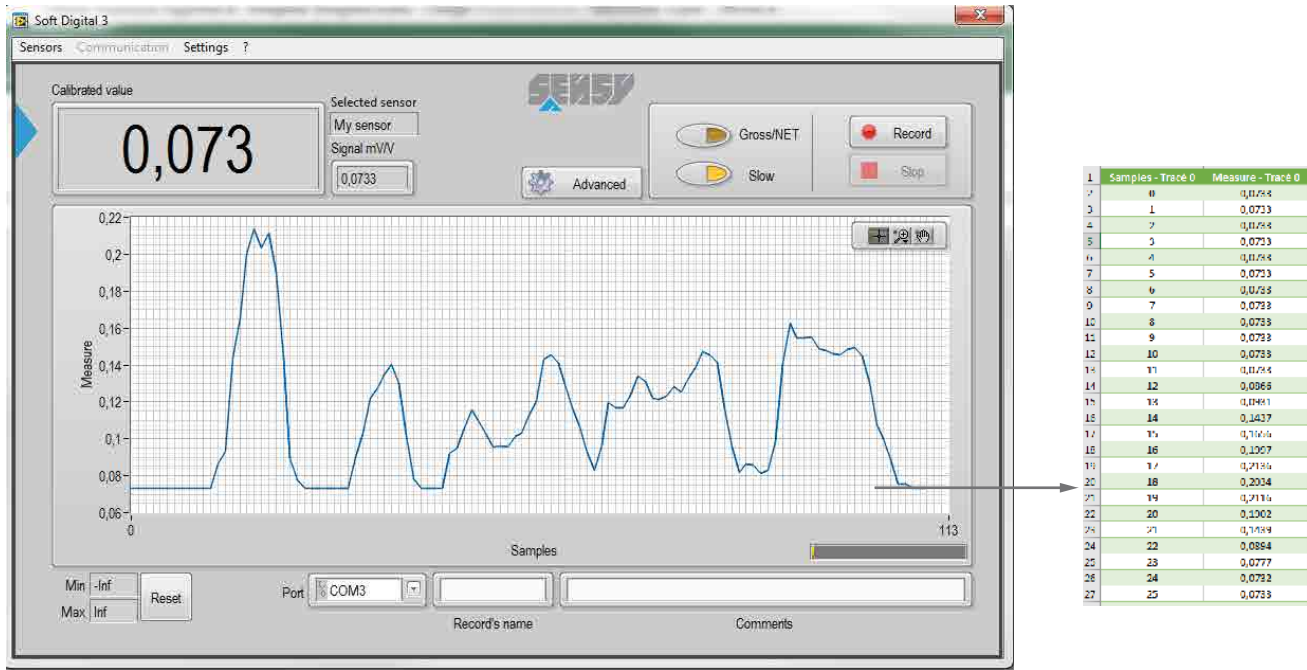
Furthermore, it should be noted that the output signal is also proportional to the supply voltage V. in. The sensitivity of the sensor is therefore expressed in mV/V where the denominator is equal to V. in. Thus for a sensor whose sensitivity is 2 mV/V and is supplied with 10 V, the output signal will evolve from 20 mV between zero and full scale. Typical sensitivities for metal gauge sensors change from 0.5 to 4 mV/V depending on:

- Principle of operation

For some sensors, the four gauges are deformed in the same proportion; for others, some gauges operate at 100 % and others at 30 % (Poisson's ratio).

- The required overload capacity, e.g. the breaking capacity must be 500 % for a hoisting device.
- Fatigue resistance.
- The type of material selected for the proof body.

SOFT-DIGITAL enables the reading, real-time display and recording of measurements of a SENSY load cell transmitted by the indicators for a standard reference force transducer called "INDI-00" and "INDI-ISO376", as well as the range of digital converters (USB, RS-232, RS-485) proposed by SENSY.

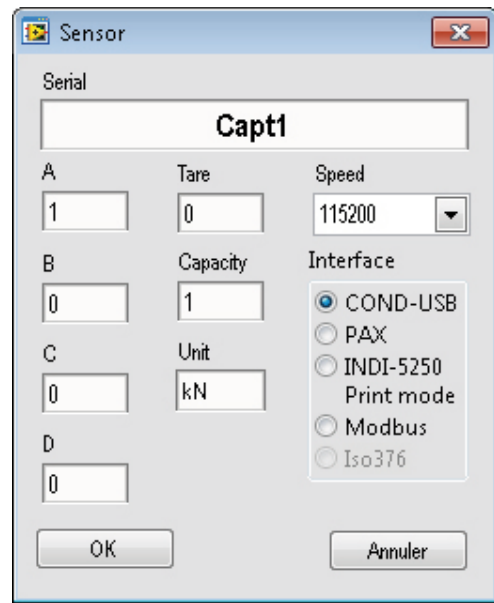
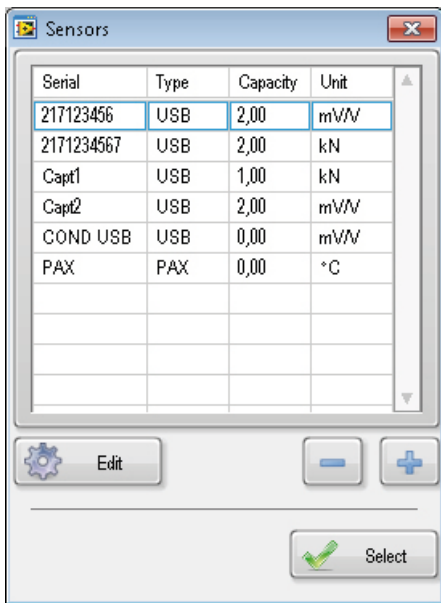


## LOAD CELLS CALIBRATIONS

Define all the coefficients from calibration sheet of several standard reference transducers.

Each one uses the following equation:  $F(x) = a \cdot x + b \cdot x^2 + c \cdot x^3$  Where F = force and x = electrical display signal .

The software calculates the applied force from the digitalised raw analogue signal x(mV/V) using the 3<sup>rd</sup> order function.



This programme has been developed according to ISO 7500-1.

It is intended for certified laboratories carrying out periodic inspection on different force testing machines.

It allows the automatic generation of verification reports of static force uni-axial testing machines.

SOFT-ISO7500 allows all the coefficients to be defined from the calibration sheet of several standard reference transducers.

Each transducer has an equation like the one below:

$$F(x) = a \cdot x + b \cdot x^2 + c \cdot x^3 \text{ where } F = \text{force and } x = \text{electrical display signal.}$$

The software calculates the applied force from the digitalised raw analogue signal  $x(\text{mV/V})$  using the 3rd order function.



Standard reference force transducers

Calibration data of the test cell (see certificate)

Load cell #	Label	Capacity	Unit	Coef A	Coef B	Coef C	Manufacturer	Type	Class	Ref. Certif.	Ref. Certif.	Expiration date
2	1 MN	1.000	kN	0.00000000000000000000	0	0	SENSY	3115	0.5	20013000	ES/SHD/w	31/06/2009
3	500 kN	500	kN	0.00000000000000000000	0	0	SENSY	3115	0.5	20000708	ES/SHD/w/M	31/07/2009
4	100 kN	100	kN	0.00000000000000000000	0	0	SENSY	3115	0.5	99068000	ES/SHD/w	30/07/2009
5	50 kN	50	kN	0.00000000000000000000	0	0	SENSY	2715	0.5	20004500	ES/SHD/w	29/07/2009
6	0	0	0	0	0	0			0.0			
7	0	0	0	0	0	0			0.0			
8	0	0	0	0	0	0			0.0			
9	0	0	0	0	0	0			0.0			
10	0	0	0	0	0	0			0.0			

Equation:  $F = a \cdot X + b \cdot X^2 + c \cdot X^3$  (values by the order of the numbering)

Display information:

Display no	Label	Manufacturer	Type	Serial number	Ref. Certif.	Expiration date	Incremental
2	1 MN	SENSY	ES/SHD/w	20013000	ES/SHD/w/0000	29/07/2009	0



## BENCH CONDITIONING

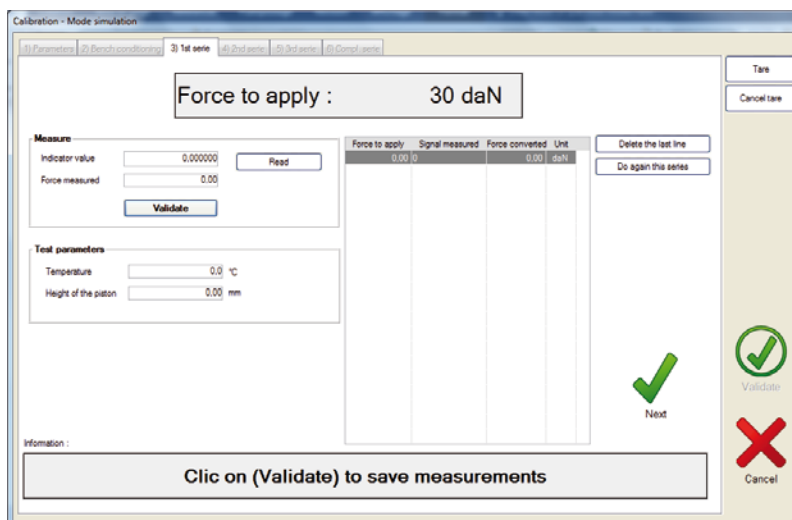


Conditioning machine is defined by the ISO7500-1 standard, point 6.4.3.

In the first step, you must unload the machine. The program then requires you to load the machine until the threshold indicated.

Restart this test 3 times and then you can start to test the machine.

## TESTING PROCEDURE



The test comprises three series of measurements divided by equal steps of loads.

The procedure comprises loading the test machine with the value announced by the program, then taking measurements via the standard reference transducer; these two values will be compared to calculate the errors and determine the machine class.

You have the possibility to do a reversibility test.

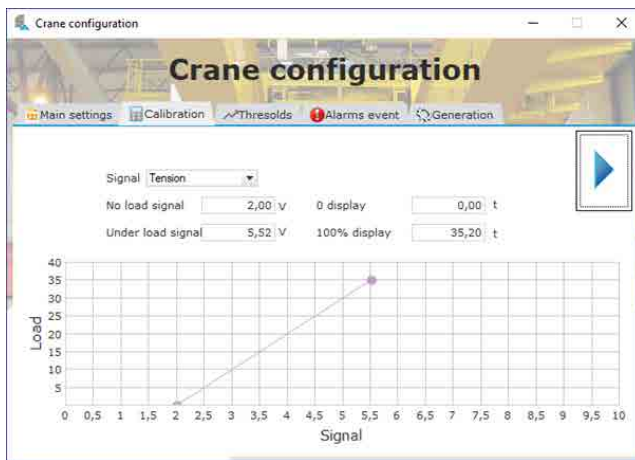
This page was intentionally left blank

The COACHVIEW software is delivered with the COACH-II (data logger dedicated to hoisting equipment).

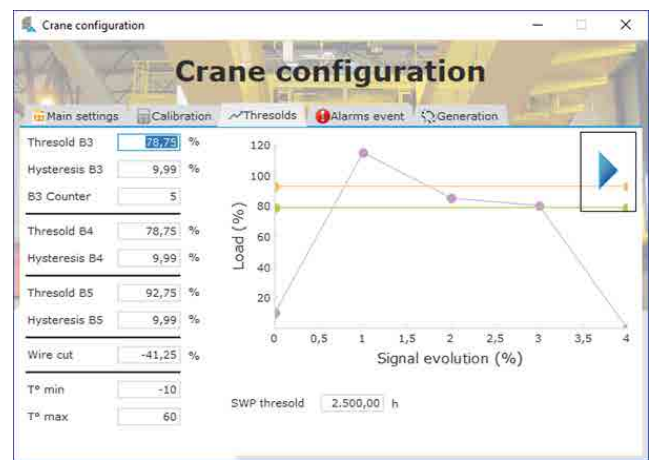
This very-user-friendly program allows for optimisation of the servicing schedule, the detection of downtimes and calculation of the FEM classification of the crane.

## The main functions of COACHVIEW are:

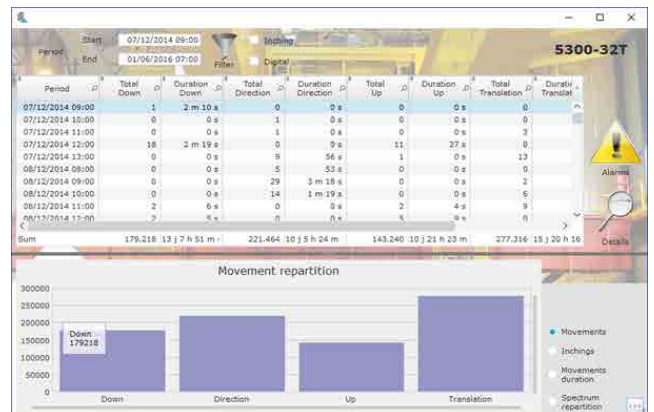
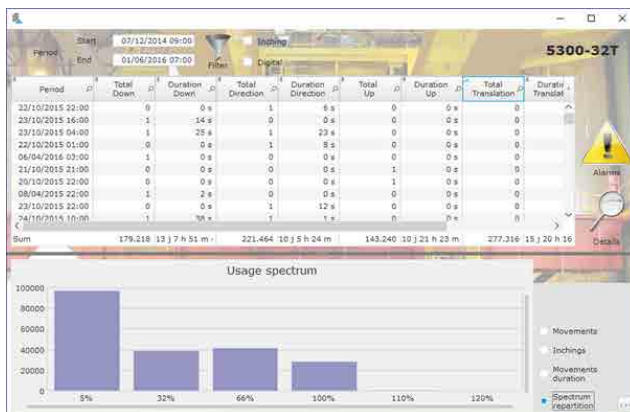
- Creation and management of configuration files for COACH-II (capacity, set-point, alarms, SWP),
- Analysis of the recordings performed by COACH-II,
- Generation of charts and tables.



**Usage spectrum**



**Movement repartition**



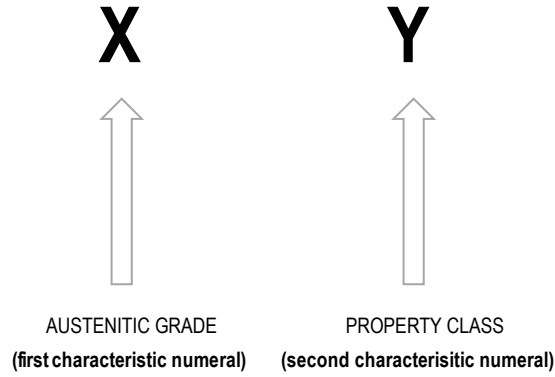
STAINLESS STEEL SCREWS > MECHANICAL AND CHEMICAL PROPERTIES

Mechanical properties of corrosion-resistant stainless steel fasteners:

- bolts, screws and studs (NF EN ISO 3506-2)
- nuts (NF EN ISO 3506-1)

SENSY mainly uses A2 and A4 stainless steels.

Mechanical properties of stainless steel screws are described below:



X: AUSTENITIC GRADE

First characteristic numeral	AISI nb	Properties
A2	A2	Good corrosion resistance in the open air and in fresh water
		Mainly used in food industry, chemical applications
A4	A4	Greater corrosion resistance in marine and coastal environment and chlorine pools
		Alloy steel with higher molybdenum concentration
		High resistance to alkaline and acidic solutions

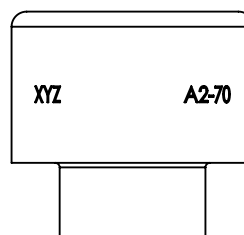
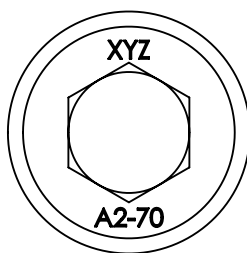
Y: PROPERTY CLASS<sup>(1)</sup>

Second characteristic numeral	Characteristics	Field of use
70	Cold-worked	SENSY standard
80	High tensile strength	SENSY option (mandatory for load cells used in EX d environment)

<sup>(1)</sup> : the class represents the minimum tensile strength of the bolt divided by ten; for example 70 is equal to 1/10 of the minimal tensile strength Rm = 700 MPa (N/mm<sup>2</sup>).

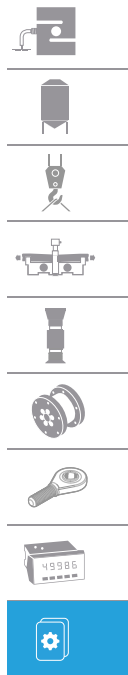
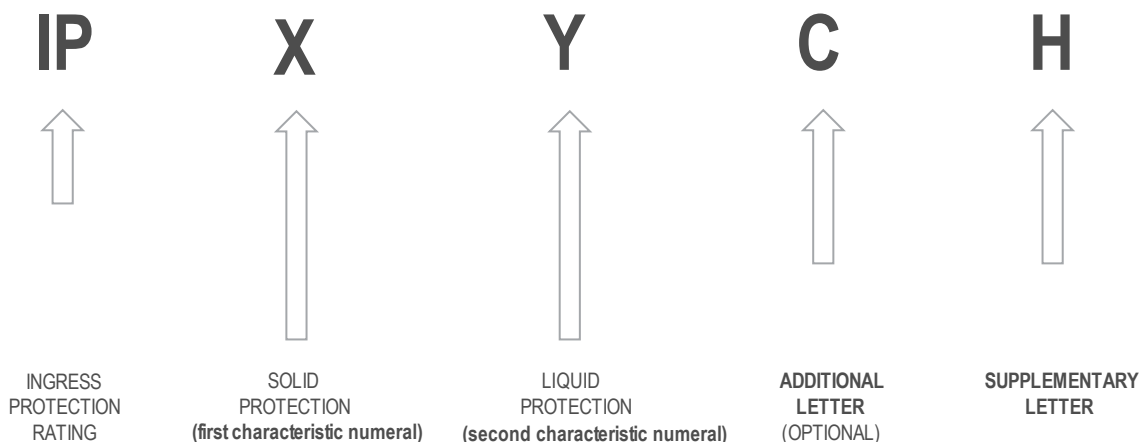
Screw marking:

Marking is mandatory for thread size ≥ 5mm



IP CODES > MEANING

International Protection Marking in accordance with DIN EN IEC 60529



First characteristic numeral	Description
0	Non-protected
1	Protected against solid foreign objects of 50 mm diameter or greater
2	Protected against solid foreign objects of 12.5 mm diameter or greater
3	Protected against solid foreign objects of 2.5 mm diameter or greater
4	Protected against solid foreign objects of 1 mm diameter or greater
5	Dust-protected
6	Dust-tight

Additional letter	Description
A	Protected against access with the back of the hand
B	Protected against access with a finger
C	Protected against access with a tool
D	Protected against access with a wire

Second characteristic numeral	Description
0	Non-protected
1	Protected against vertically falling water drops
2	Protected against vertically falling water drops when enclosure tilted up to 15°
3	Protected against spraying water
4	Protected against splashing water
5	Protected against water jets
6	Protected against powerful water jets
6K <sup>(1)</sup>	Protected against powerful water jets with increased pressure
7	Protected against the effects of temporary immersion in water (≤1m)
8	Protected against the effects of continuous immersion in water (>1m)
9K <sup>(1)</sup>	Protected against the effects of powerful water jets at high temperature

Supplementary letter	Description
H	High-voltage equipment
M	Device moving during water test
S	Device standing still during water test
W	Weather conditions

<sup>(1)</sup> : All tests with letter K are defined by ISO 20653 (replacing DIN 40050-9)