

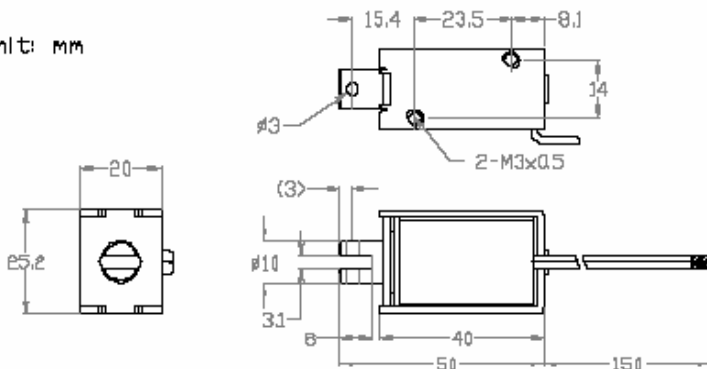
D-Frame Solenoid

GD1040

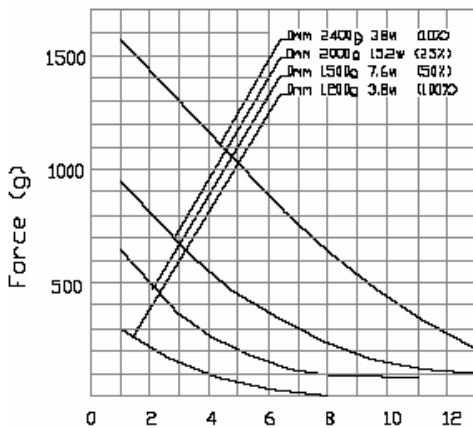


- Pull Type
- Thrust Type
- Flying Leads
- Terminals
- Zinc Plated Frame
- Nickel Plated Plunger
- Customised Plunger Ends
- Customised Fixings
- Optional Voltages

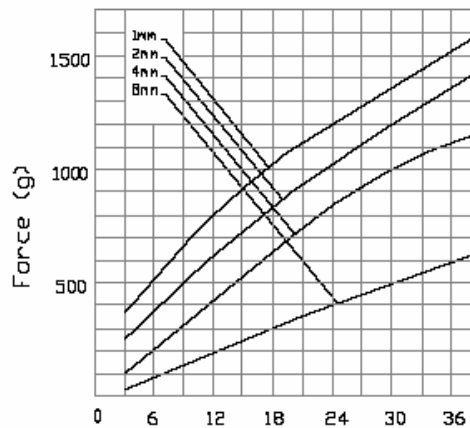
Unit: mm



Stroke and Force



Power and Force



Standard Coil Specifications

Cont. rating (at 20°C): 3.8W

Voltage (V)	Resistance (Ω)	Current (mA)
6	9.5	632
12	38	316
24	152	158
48	606	79

Total weight : 110g

Plunger weight : 25g