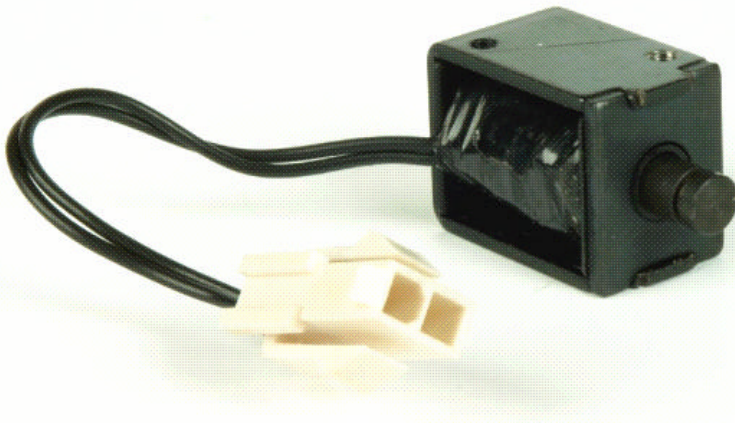
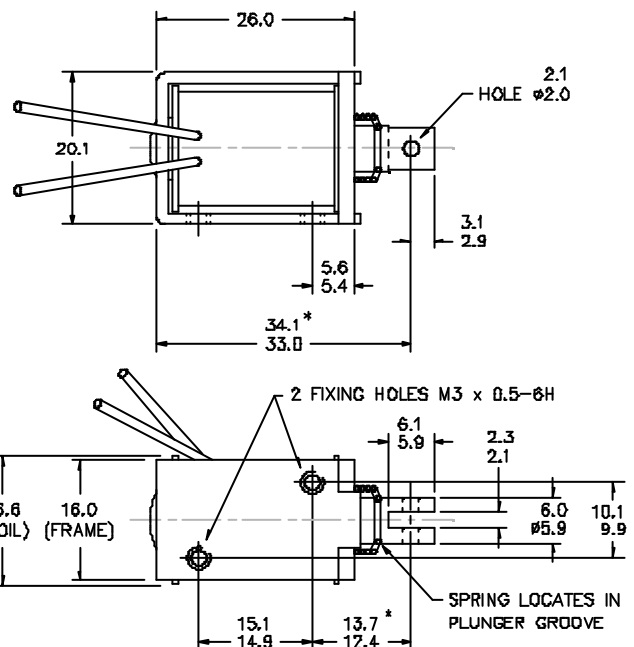
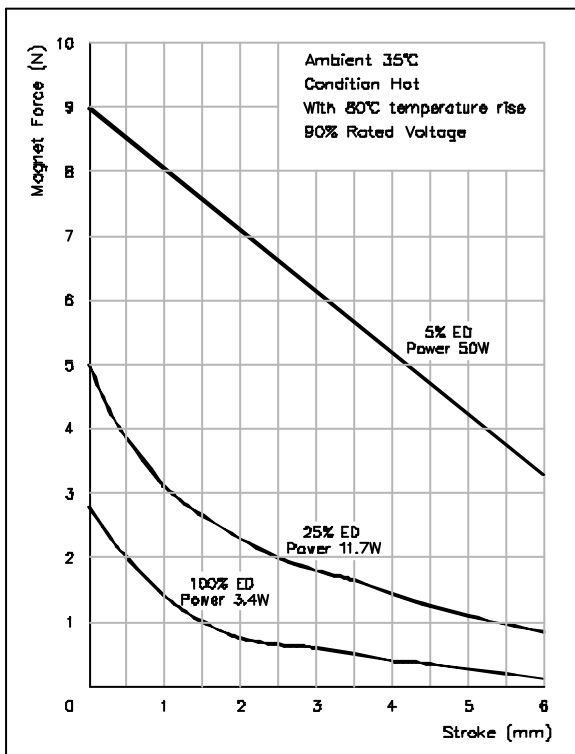


# D-Frame Solenoid

MD0626



If plunger works with gravity:  
stroke force = magnet force + plunger weight force.  
If plunger works against gravity:  
stroke force = magnet force - plunger weight force.



\* DIMENSIONS WITH SOLENOID ENERGISED. TOLERANCES (UNLESS STATED) ±0.4mm.

- Optional Thrust or Pull Type
- Customised Plunger Ends
- Flying Leads with Optional Connectors
- Optional Voltage Ratings
- Optional Tagged & Encapsulated Coils
- Customised Fixing Holes
- Optional Return Spring
- Alternative Plating Finishes
- Optional Anti-Impact Washer