

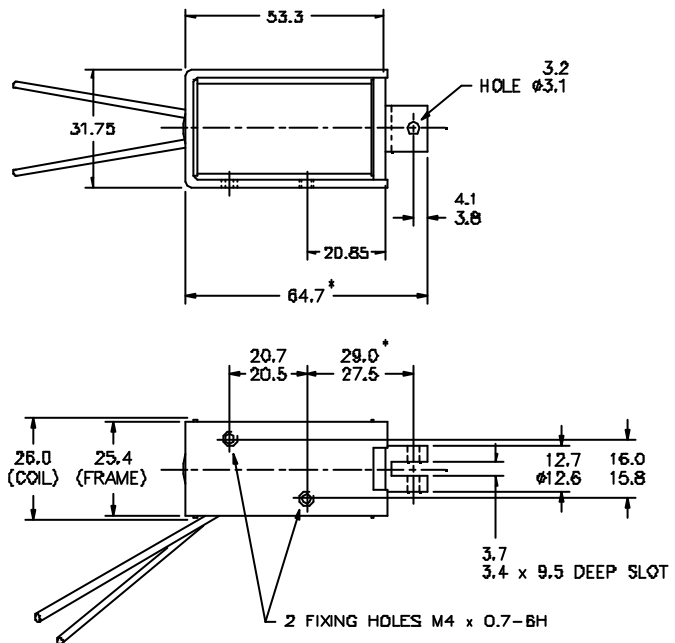
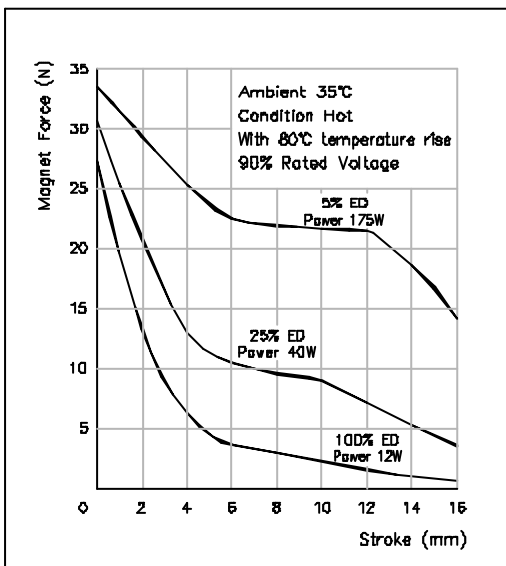
D-Frame Solenoid

MD1353



- Optional Pull or Thrust Type
- Customised Plunger Ends
- Flying Leads with Optional Connectors
- Optional Voltage Ratings
- Optional Tagged & Encapsulated Coils
- Customised Fixing Holes
- Optional Return Spring
- Alternative Plating Finishes
- Optional Anti-Impact Washer

If plunger works with gravity:
stroke force = magnet force + plunger weight force.
If plunger works against gravity:
stroke force = magnet force - plunger weight force.



* DIMENSIONS WITH SOLENOID ENERGISED. TOLERANCES (UNLESS STATED) ±0.4mm.