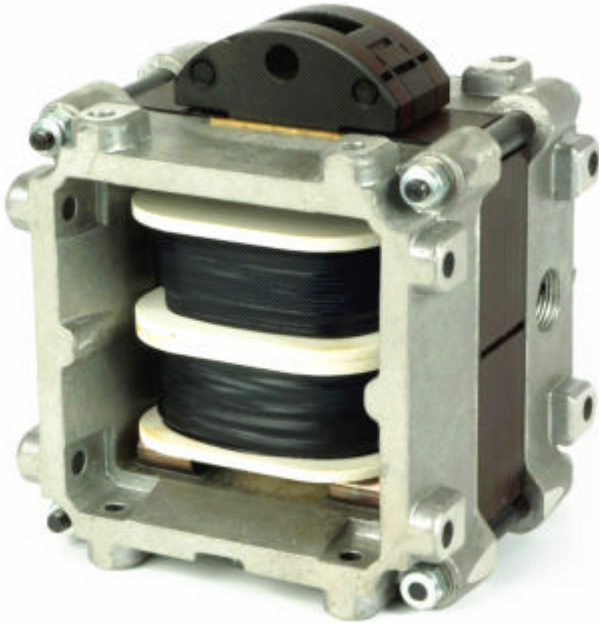


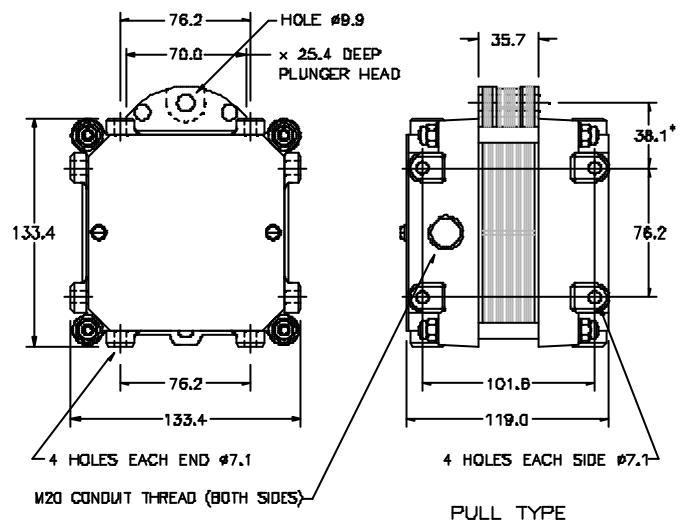
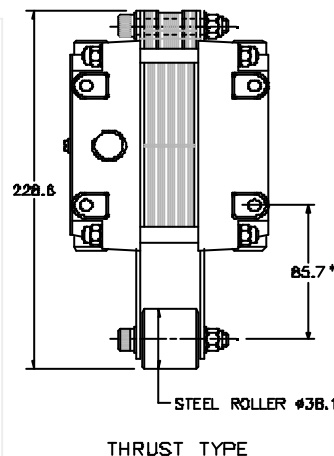
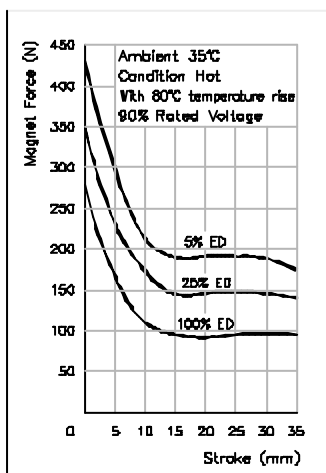
AC Laminated Solenoid (Series 700)

ML36121



- Optional Thrust or Pull Type
- High Force Dual-Coil Design
- Fast Response Time
- Rugged Design for Long Life
- Varnish Impregnated Coil
- Brass Guides
- Copper Shading Rings
- Various Voltages and Frequencies
- Spares Kits Available

If plunger works with gravity:
stroke force = magnet force + plunger weight force.
If plunger works against gravity:
stroke force = magnet force - plunger weight force.



* DIMENSIONS WITH SOLENOID ENERGISED.
TOLERANCES (UNLESS STATED) ±0.4mm.