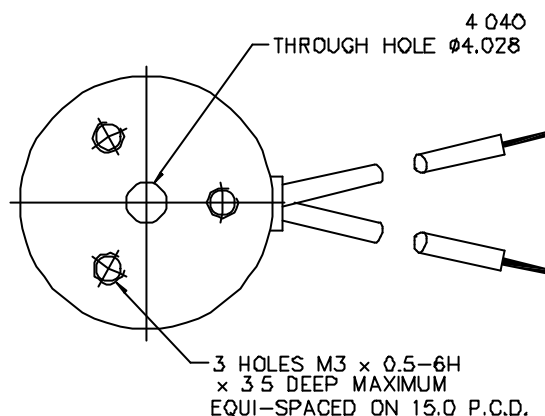
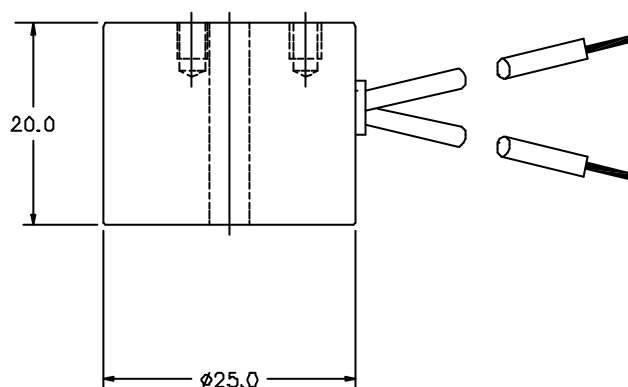


Holding Magnet

MM2520



- IP 65 Option
- Precision Ground Pole Faces
- Through-Hole Design
- Optional Mounting
- Flying Leads with Optional Connectors
- Electroless Nickel Plated
- Other Finishes Available
- 12VDC & 24VDC Standard Versions
- Other Voltages Available
- Potted Coil Option



TOLERANCES (UNLESS STATED) $\pm 0.15\text{mm}$