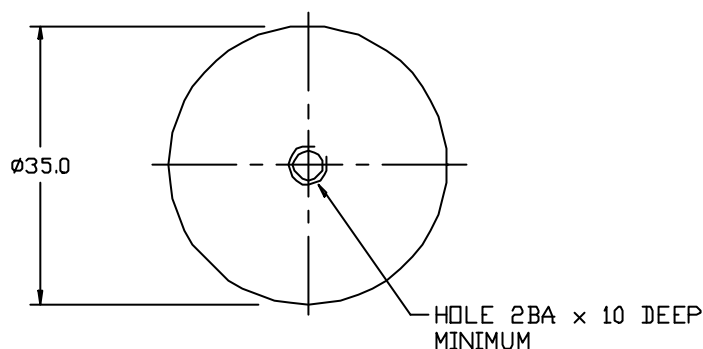
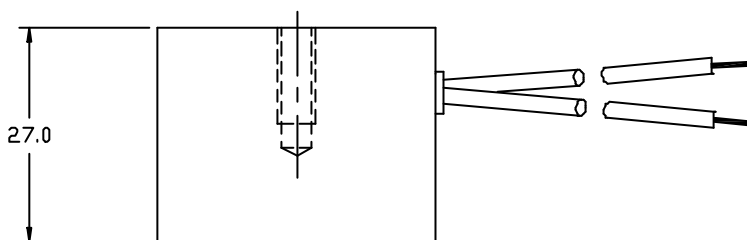


# Holding Magnet

MM3527



- Optional Mounting Centres
- Flying Leads with Optional Connectors
- Electroless Nickel Plated
- Other Finishes Available
- 12VDC & 24VDC Standard Versions
- Other Voltages Available



TOL FRANCES (UNLESS STATED) + 0.15mm