

# Tubular Solenoid (Model M60)

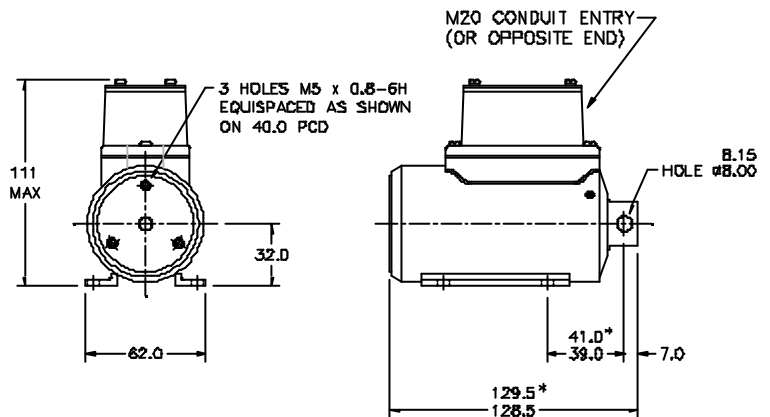
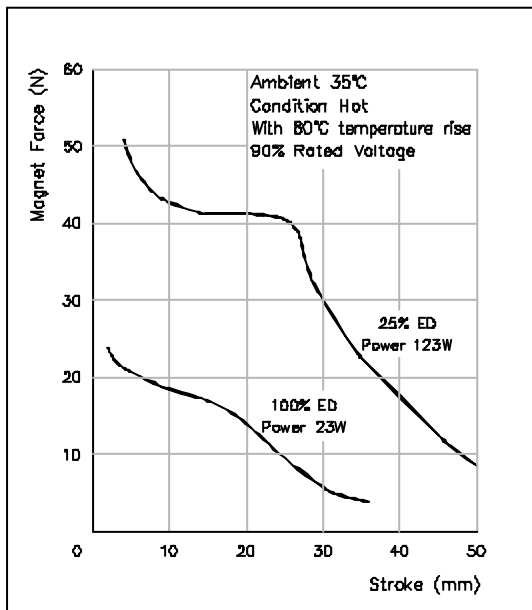
MT26110



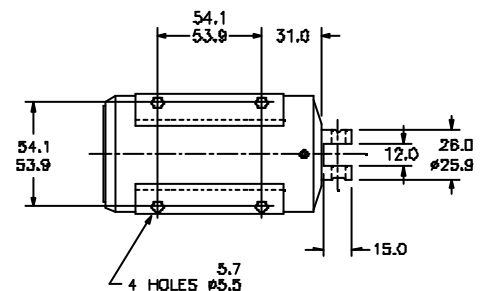
- High Force / Long Stroke
- Fully Enclosed Construction with Potted Coil
- Pull & Thrust Options
- Anti-Residual Disc as Standard
- Alternative Finishes
- Alternative Terminations Available
- Optional Return Springs
- Alternative Fixing Options
- Optional Mounting Centres

If plunger works with gravity:  
stroke force = magnet force + plunger weight force.

If plunger works against gravity:  
stroke force = magnet force - plunger weight force.



\* DIMENSIONS WITH SOLENOID ENERGISED.  
TOLERANCES (UNLESS STATED)  $\pm 0.25\text{mm}$



Mechetronics Limited  
South Church Enterprise Park, Bishop Auckland  
Co. Durham, DL14 6XF England  
Tel: + 44 (0)1388 771200  
Fax: + 44 (0)1388 772490  
Email: enquiries@mechetronics.co.uk  
Web: www.mechetronics.com

**MECHETRONICS**  
GLOBAL FORCE - LOCAL IMPACT