

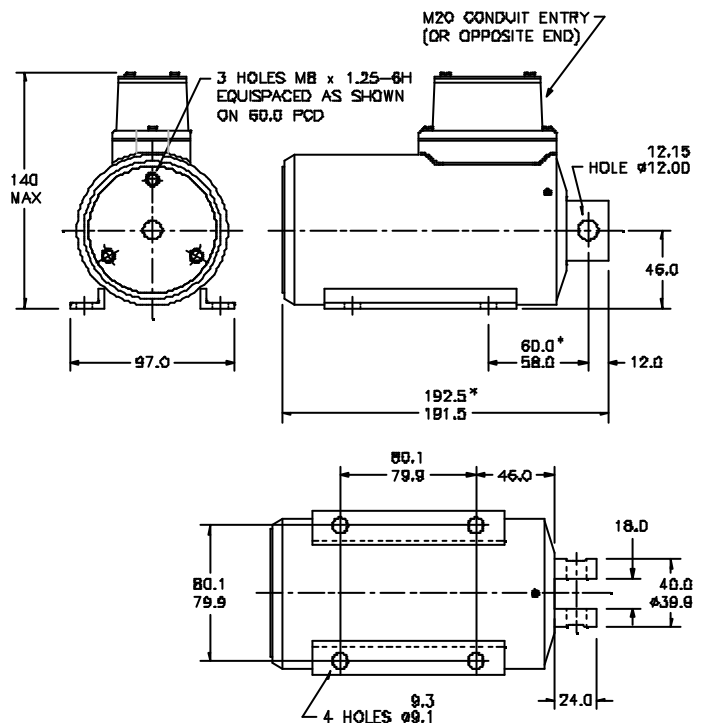
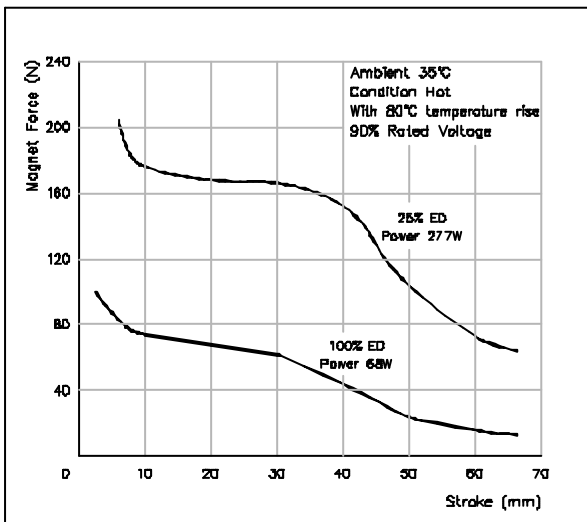
Tubular Solenoid (Model M90)

MT40162



- High Force / Long Stroke
- Fully Enclosed Construction with Potted Coil
- Pull & Thrust Options
- Anti-Residual Disc as Standard
- Alternative Finishes
- Alternative Terminations Available
- Optional Return Springs
- Alternative Fixing Options
- Optional Mounting Centres

If plunger works with gravity:
stroke force = magnet force + plunger weight force.
If plunger works against gravity:
stroke force = magnet force - plunger weight force.



* DIMENSIONS WITH SOLENOID ENERGISED. TOLERANCES (UNLESS STATED) ± 0.25 mm.

Mechetronics Limited
South Church Enterprise Park, Bishop Auckland
Co. Durham, DL14 6XF England
Tel: + 44 (0)1388 771200
Fax: + 44 (0)1388 772490
Email: enquiries@mechetronics.co.uk
Web: www.mechetronics.com

MECHETRONICS
GLOBAL FORCE - LOCAL IMPACT