



FG(HJ) 2

New Option: AKK with 2 different FREELY SELECTABLE pulse rates

FG(HJ) 2 AKK

Variant AKK

- 2 incremental outputs
- 2 different pulse rates possible: 1,024, 2,048 or 4,096 ppr
- Set ex works

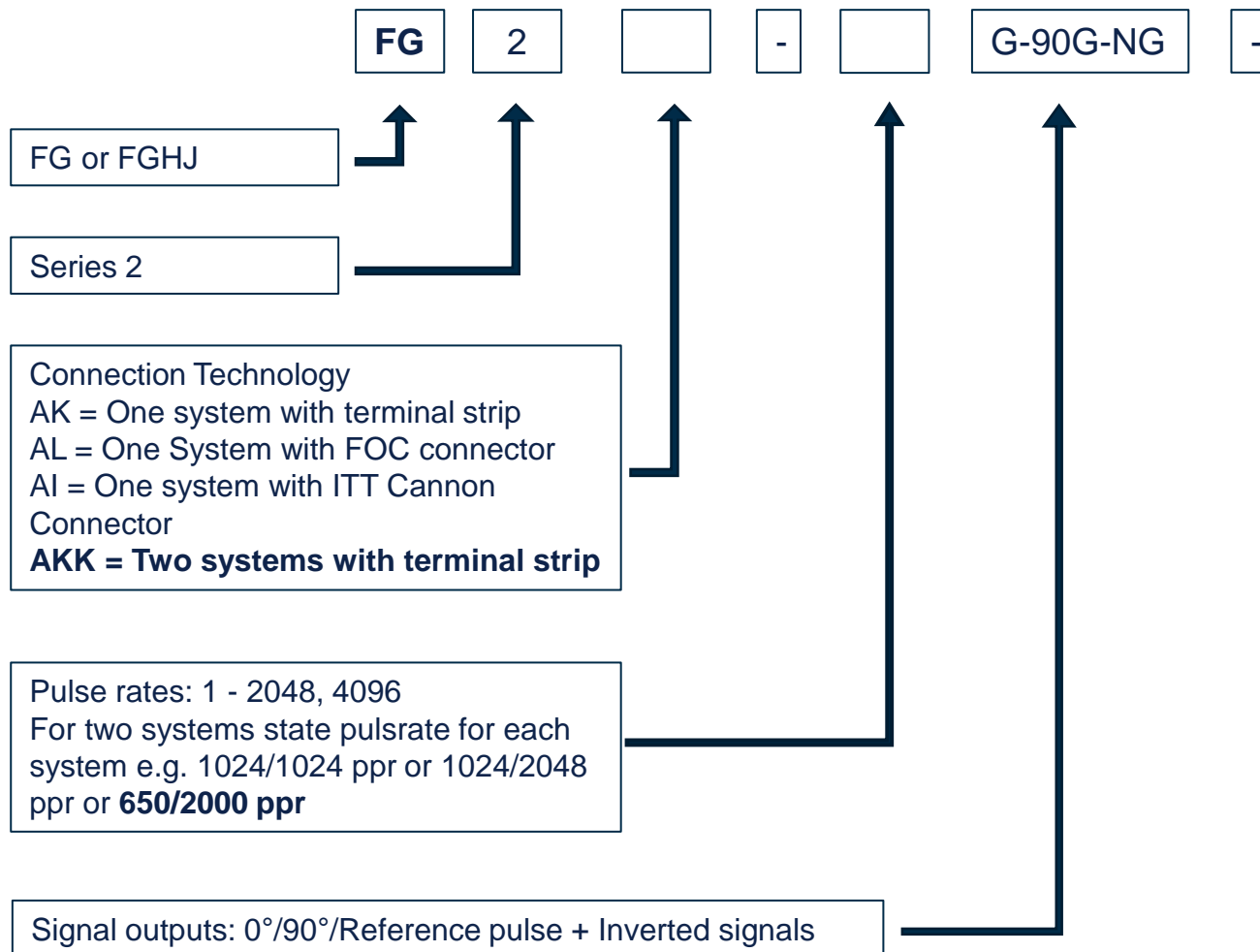
Neu: Variant AKK SPR

- 2 incremental outputs
- 2 different pulse rates possible: **flexibly selectable** between 1 - 2,048 ppr
- Set ex works

Advantages

- 2 redundant incremental signals with selectable pulse rates
- 2 freely selectable different pulse rates with only one device
- Replacement solution for FG(H) 4 KK with 2 signal outputs and special pulse rates

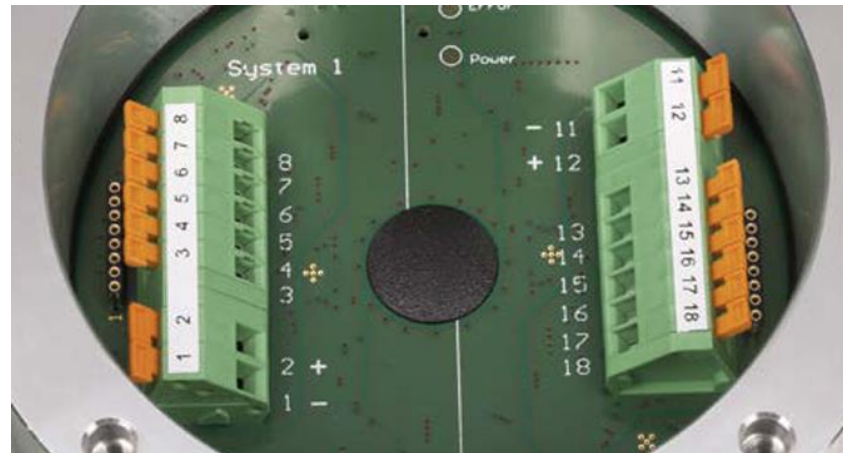
FG(HJ) 2 – Type code



FG(HJ) 2 AKK SPR

Features

- 2 incremental outputs
- 2 different pulse rates possible: flexibly selectable between 1 - 2,048 ppr
- Set ex works
- HTL or TTL possible
- Only available with terminal strip



FG(HJ) 2: Incremental encoders for standard drives

- Optical encoders with a wide range of applications
- Ideal for direct attachment to drive-controlled motors due to increased dielectric strength of up to 3 kV
- Hollow shafts up to \varnothing 17 mm, solid shafts \varnothing 11 mm (flange mounting)
- Up to 4,096 ppr HTL / TTL
- Degree of protection IP66, temperature range from -25 to +85 °C
- Options:
 - Speed switch
 - FO transmitter
 - Second incremental output



FG(HJ) 2: Product Advantages

- High accuracy
- Long lifetime, high reliability
- High shock and vibration resistance
- High IP protection grade with sealed cover
- Seawater resistant Aluminum
- Temperature range up to -40°C...+100°C
- State-of-the-art electronic with high EMI immunity
- EMC cable glands
- High speeds up to 7000 rpm
- Short delivery time
- Replacement for several other encoder types
- Attractive cost-benefit ratio
- **2 incremental outputs with 2 different pulse rates possible**



Johannes Hübner

Fabrik elektrischer Maschinen GmbH
Siemensstr. 7
35394 Giessen
Germany

Phone: +49 641 7969-0

E-mail: info@huebner-giessen.com

www.huebner-giessen.com

Thank you for your attention!