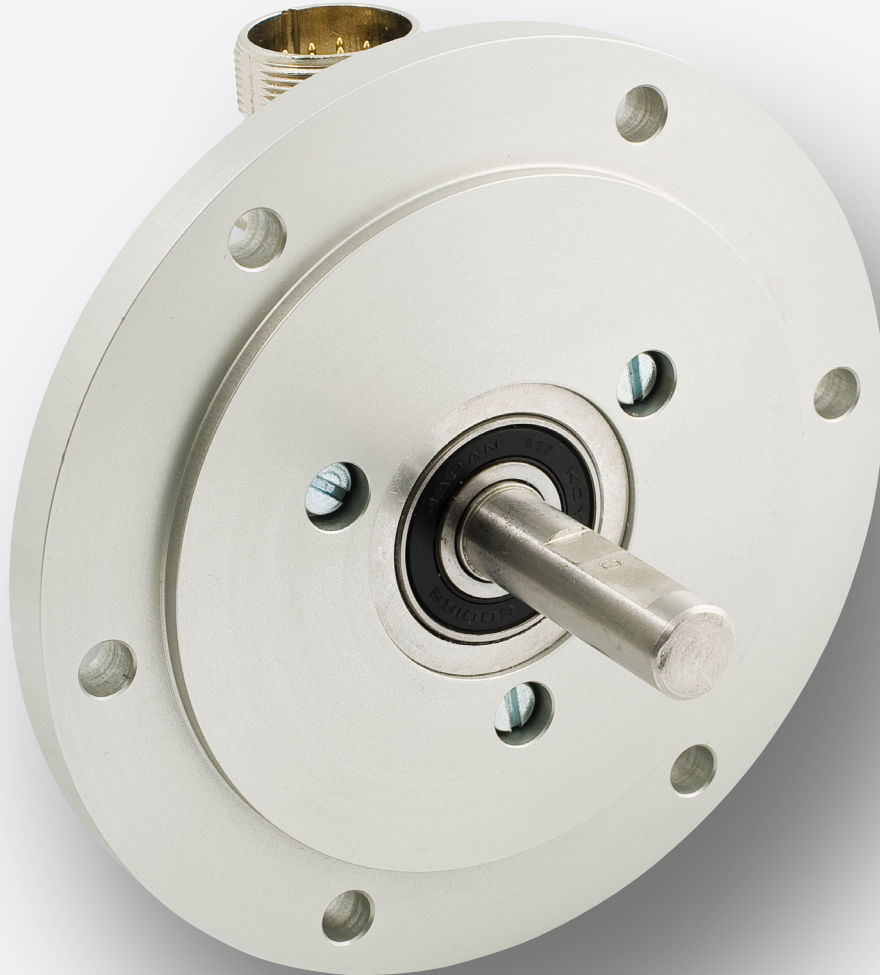


MA125 - SERIES



HEAVY DUTY INCREMENTAL ENCODER Ø 58 MM

Encoder with 115 mm reoflange and 3 mounting holes 6,5 mm

- Ø 58 mm
- 8 mm solid shaft without face or 10 mm with face
- Enlarged sturdy bearings
- Short circuit and reversed polarity proof
- Dust and splash proof IP65
- Standard
 - 5-30V power supply, 300KHz
 - 2 square wave signals
 - Marker Pulse, Inverted Signals and Sense
- Options
 - 5V power supply, 300KHz
 - 7-35V power supply, 100KHz
 - Customization upon request

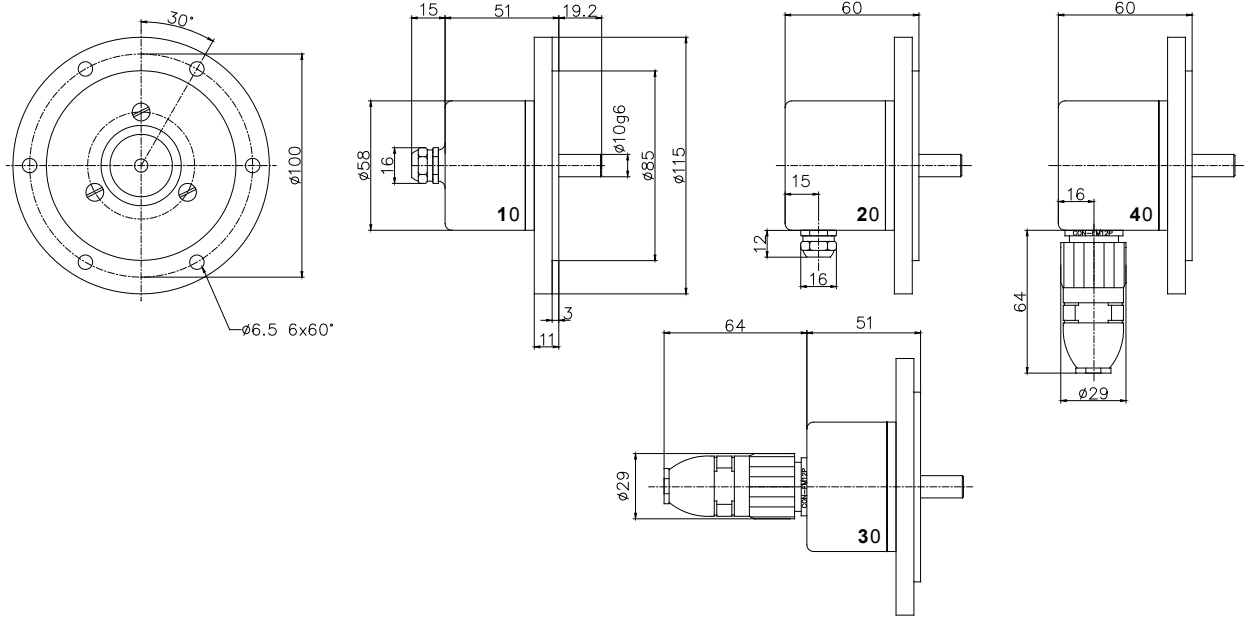
The logo for emeta encoders, featuring a stylized blue wave icon to the left of the text "emeta" in a bold, black, sans-serif font, with "encoders" in a smaller, blue, sans-serif font below it.

*Flexible and durable
encoder for demanding
applications*



Conforms to european EMC directive 89/336/EEC
standards:
EN61000-6-4 emission in industrial environments,
EN61000-6-2 immunity in industrial environ-
ments.

INCREMENTAL ENCODER MODEL MA125

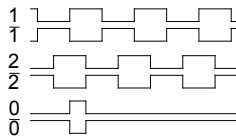
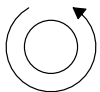


ELECTRICAL SPECIFICATION, STANDARD

Supply voltage	V _{cc} 5–30 V
Current consumption	Max 40 mA without load
Output circuit	Linedriver RS422A compatible
Low level output volt.	Max <0,5 V at 20 mA load and 20°C
High level output volt.	Min >V _{cc} -1V at 20mA load and 20°C
Short circuit protected	Yes
Polarity protected	Yes
Transient protected	Yes
Max load	70 mA

OUTPUT SIGNALS, STANDARD

CCW rotation viewed from shaft end



SIGNAL ACCURACY

Dividing error max	±50 el°
Channel separation	90 ±25 el°
Max frequency	300 KHz
Operating temperature	-40° till +80°C

MECHANICAL SPECIFICATION

Housing	Aluminum, electrically conductive for increased interference protection
Sealing	IP65 dust and splash proof
Bearings	Permanently greased
Bearing load at	1 000 rpm:
Radial	180 N Gives 50 000 hrs
Axial	130 N bearing life
Max rpm	6 000 (12 000)
Vibration	20g 20-2000 Hz
Chock	200g vid 11 ms
Weight	ca: 530 gr (without cable)

CONNECTIONS

- 10. Axial cable 1 m, 10x0,25TPUR
- 20. Radial cable 1 m, 10x0,25TPUR
- 30. Axial 12-pin male connector CON-FM12P
- 40. Radial 12-pin male connector CON-FM12P
- 70. Axial cable 1 m with male connector CON-CF12P
- 80. Radial cable 1 m with male connector CON-CF12P

FUNCTION

	Cable	Connector	Cable/Conn
1	Brown	5	5
2	Grey	8	8
0	Red	3	3
1 inv	Green	6	6
2 inv	Pink	1	1
0 inv	Black	4	4
+V	Brown/Green	12	12
0 V	White/Green	10	10
+V sens	Blue	2	2
0V sens	White	11	11
Gnd	Shield	Chassi	9

MATING CONNECTORS

- For 30 and 40, CON-CF12S
- For 70 and 80, CON-CM12S

ORDERING CODE

Model	MA125	10	1000	1	X
Shaft 8 or 10 mm					
Pulse rate	1-5 000				
Connection					
X= meter kabel					

