

## MA240 - SERIES



### HEAVY DUTY INCREMENTAL ENCODER Ø 58 MM

*Encoder with synchroflange, rotation stop, 3 mountingholes M4*

- Ø 58 mm
- 10, 12 or 14 mm full through shaft
- Enlarged sturdy bearings
- Short circuit and reversed polarity proof
- Dust and splash proof IP65
- Standard 5-30V Power Supply, 300KHz  
2 Square Wave Signals  
Marker Pulse, Inverted Signals and Sense
- Option Customization upon request

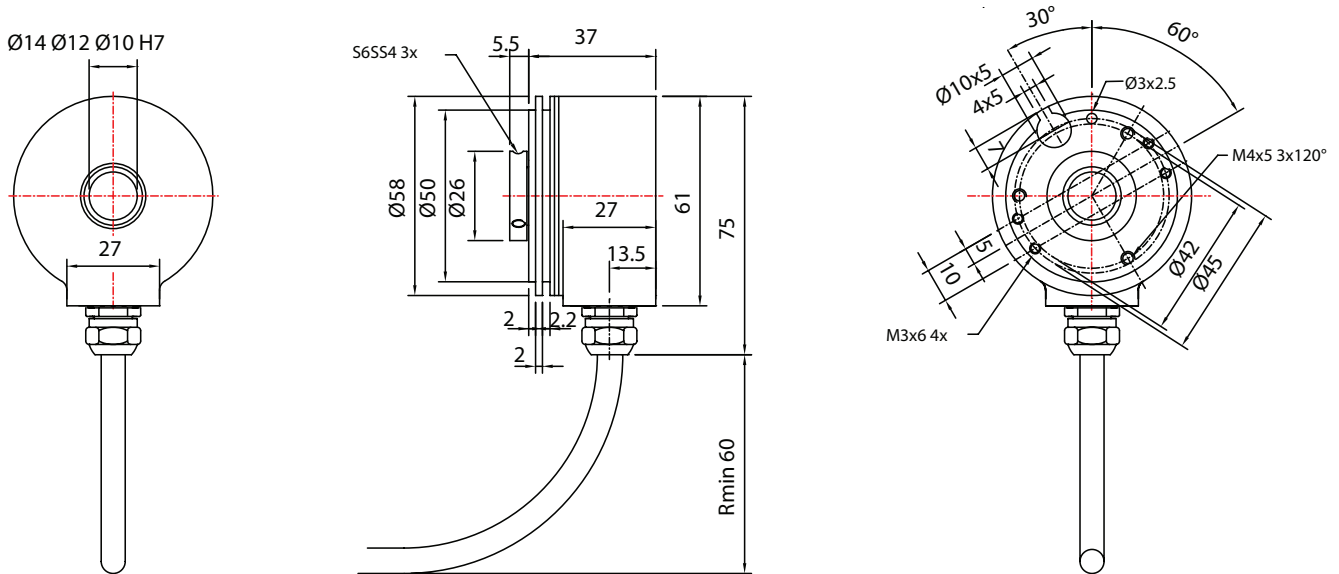


*Flexible and durable  
encoder for demanding  
applications*



Conforms to european EMC directive 89/336/EEC  
standards:  
EN61000-6-4 emission in industrial environments,  
EN61000-6-2 immunity in industrial environ-

# INCREMENTAL ENCODER MODEL MA240

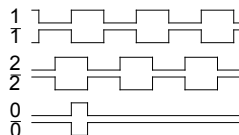
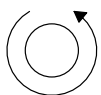


## ELECTRICAL SPECIFICATION, STANDARD

Supply voltage	Vcc 5–30 V
Current consumption	Max 40 mA without load
Output circuit	Linedriver RS422A compatible
Low level output volt.	Max <0,5 V at 20 mA load and 20°C
High level output volt.	Min >Vcc-1V at 20mA load and 20°C
Short circuit protected	Yes
Polarity protected	Yes
Transient protected	Yes
Max load	70 mA

## OUTPUT SIGNALS, STANDARD

CCW rotation viewed from shaft end



## SIGNAL ACCURACY

Dividing error max	±50 el°
Channel separation	90 ±25 el°
Max frequency	300 KHz
Operating temperature	-40° till +80°C

## MECHANICAL SPECIFICATION

Housing	Aluminum, electrically conductive for increased interference protection
Sealing	IP65 dust and splash proof
Bearings	Permanently greased
Bearing load at 1 000 rpm:	
Radial	110 N Gives 50 000 hrs bearing life
Axial	70 N bearing life
Max rpm	6 000 (12 000)
Vibration	20g 20-2000 Hz
Chock	200g vid 11 ms
Weight	ca: 240 gr. (without cable)

## CONNECTIONS

- 20. Radial cable, 1 m 10x0,25TPUR with screen
- 40. Radial 12-pin male connector CON-FM12P
- 80. Radial cable 1 m with male connector CON-CF12P

## FUNCTION

	Cable 20	Connector 40	80
1	Brown	5	5
2	Grey	8	8
0	Red	3	3
1 inv	Green	6	6
2 inv	Yellow	1	1
0 inv	Black	4	4
+V	Brown/Green	12	12
0V	White/Green	10	10
+V sens	Blue	2	2
0V sens	White	11	11
Gnd	Screen	Chassi	9

## MATING CONNECTORS

- For 40, CON-CF12S female mating connector
- For 80, CON-CM12S female mating connector

## ORDERING CODE

Model	MA240	10	1000	20	X
Shaft 10, 12, 14mm					
Pulse rate 1-2 500					
Connection					
X= meter cable					

