

## INDU MOUSE



### TECHNISCHE DATEN

|                    |                         |
|--------------------|-------------------------|
| Tastenzahl:        | 3                       |
| Schalttechnologie: | Kurzhubtasten           |
| Schaltkraft:       | 1,5 N                   |
| Schaltweg:         | 0,3 mm                  |
| Schaltzyklen:      | ca. 3 Mio. Betätigungen |
| Schutzgrad (max):  | IP68                    |
| Wirkprinzip:       | Laser                   |
| Auflösung:         | 1000 dpi                |

|                   |                         |
|-------------------|-------------------------|
| Gehäusemat.:      | Silikonkautschuk        |
| Bodenplattenmat.: | Kunststoff o. Aluminium |
| Gehäusefarbe:     | Weiß                    |

Schnittstellen: USB

|                     |                   |
|---------------------|-------------------|
| Betriebstemperatur: | -25 °C bis +70 °C |
| Lagertemperatur:    | -25 °C bis +80 °C |

### EIGENSCHAFTEN

|                 |                                    |
|-----------------|------------------------------------|
| Scrollfunktion: | über Tastendruck                   |
| Gewicht:        | 160 g (plastic), 210 g (aluminium) |
| Kabellänge:     | ca. 2 m                            |

### ABMESSUNGEN

|         |          |
|---------|----------|
| Länge:  | 116,0 mm |
| Breite: | 62,0 mm  |
| Höhe:   | 38,6 mm  |

### SPECIFICATION

|                         |                            |
|-------------------------|----------------------------|
| Number of keys:         | 3                          |
| Keyswitch technology:   | short travel keys          |
| Operating force:        | 1.5 N                      |
| Switch travel:          | 0.3 mm                     |
| Switching cycles:       | approx. 3 mill. operations |
| Protection level (max): | IP68                       |
| Operating principle:    | laser                      |
| Resolution:             | 1000 dpi                   |

|                          |                      |
|--------------------------|----------------------|
| Material (surface):      | silicone             |
| Material (bottom panel): | plastic or aluminium |
| Housing colour:          | white                |

Interface: USB

|                        |                  |
|------------------------|------------------|
| Operating temperature: | -25 °C to +70 °C |
| Storage temperature:   | -25 °C to +80 °C |

### PROPERTIES

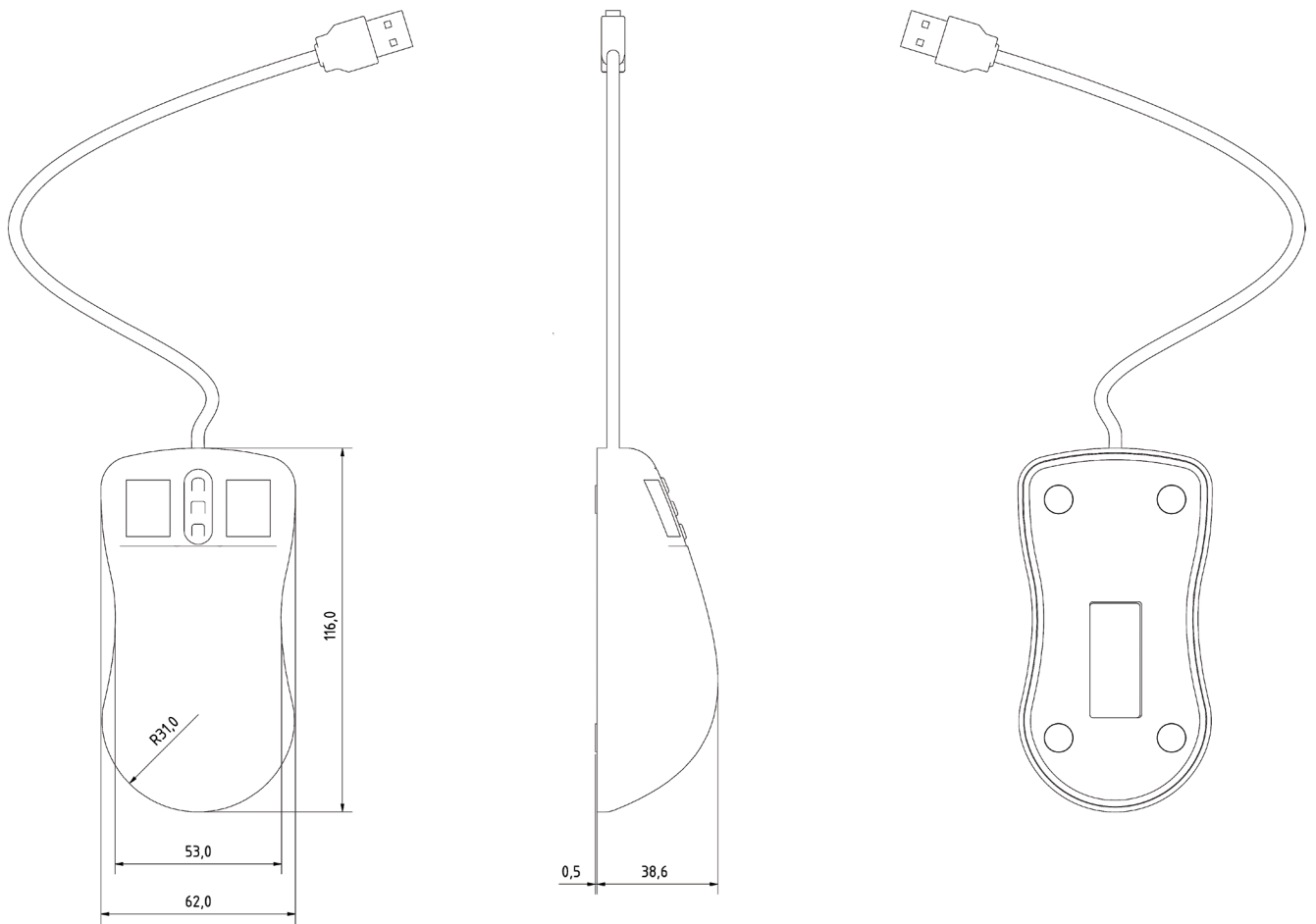
|                 |                                    |
|-----------------|------------------------------------|
| Scrollfunktion: | per keystroke                      |
| Weight:         | 160 g (plastic), 210 g (aluminium) |
| Cable length:   | approx. 2 m                        |

### DIMENSIONS

|         |          |
|---------|----------|
| Length: | 116.0 mm |
| Width:  | 62.0 mm  |
| Height: | 38.6 mm  |

| Kat.Nr. / Cat.No. | Produktbezeichnung / Product description  | Bodenplattenmaterial / Base plate material |
|-------------------|---|--|
| KH18218           | TKH-MOUSE-SCROLL-IP68-GREY-LASER-USB      | Kunststoff/Plastic                         |
| KH19216           | TKH-MOUSE-SCROLL-IP68-BLACK-LASER-USB     | Kunststoff/Plastic                         |
| KH19226           | TKH-MOUSE-IND-SCROLL-IP68-GREY-LASER-USB  | Aluminium                                  |
| KH19224           | TKH-MOUSE-IND-SCROLL-IP68-BLACK-LASER-USB | Aluminium                                  |

Andere Layouts, Konfigurationen und Schnittstellen auf Anfrage. / Other language versions / interfaces / configurations available on request.



## Funktionsbeschreibung mit Microsoft-Standardtreibern / functional description with standard windows drivers

