

INDI-MAXS DISP-MAX

ANALOGUE INPUT LARGE PANEL METERS

Large panel meters to be used with transducers and process signals



INDI-MAXS / DISP-MAX



Features

- o Strain gauge, process, voltage and current inputs
- o 5 digits of 38 mm height
- o Intuitive and easy programming (high flexibility)
- o 16 points scaling for linearisation
- o Programmable function keys/user inputs
- o Variable intensity display

Available option(s)

- Analogue output 4 (0)...20 mA or 0...10 V
- 2 or 4 set-points with relay outputs
- RS-232, RS-485, fieldbus capabilities
- HOUSE-MAX: Housing
- HOUSE-MAX-IP: Housing with protection class IP64

Application(s)

SENSY's IADI-MAXS and DISP-MAX are perfectly designed for the following applications:

- Industrial weighing,
- Force or torque measurement,
- Remote display.

Function(s)

- Reset (tare), maximum and minimum memories, smart filter,
- Totalisation of several measurements, protection code, ...

Specifications	INDI-MAXS	INDI-MAXS24	DISP-MAXP	DISP-MAXP24	DISP-MAXD	
Type	Single strain gauge bridge input meter	Single strain gauge bridge input meter	Single process input meter	Single process input meter	Single voltage or current meter	-
Input range	± 24 mVDC / ± 240 mVDC**	± 24 mVDC / ± 240 mVDC**	20 mA (-2 to +26 mA) / 10 VDC (-1 to +13 VDC)	20 mA (-2 to +26 mA) / 10 VDC (-1 to +13 VDC)**	± 0.2 mA, ± 2 mA, ± 20 mA, ± 200 mA, ± 2 A, ± 0.2 VDC, ± 2 VDC, ± 20 VDC, ± 300 VDC	-
Sensor excitation	10 VDC @ 125 mA max***	10 VDC @ 125 mA max***	24 VDC $\pm 5\%$ @ 50 mA max.	24 VDC $\pm 5\%$ @ 50 mA max.	24 VDC $\pm 5\%$ @ 50 mA max.	-
Display	5 digits (38 mm)	5 digits (38 mm)	5 digits (38 mm)	5 digits (38 mm)	5 digits (38 mm)	-
Accuracy	0.1	0.1	0.1	0.1	0.1	% F.S.*
A/D converter	16 bits	16 bits	16 bits	16 bits	16 bits	-
Converter rate	Up to 20 readings/s	Up to 20 readings/s	Up to 20 readings /s	Up to 20 readings /s	Up to 20 readings /s	-
Service temperature range	0...+50	0...+50	0...+50	0...+50	0...+50	°C
Storage temperature range	-40...+60	-40...+60	-40...+60	-40...+60	-40...+60	°C
Power supply	85...250 VAC, 50/60 Hz (18 VA)	11...36 VDC (14 W), 24 VAC (18 VA)	85...250 VAC, 50/60 Hz (18 VA)	11...36 VDC (14 W), 24 VAC (18 VA)	85...250 VAC, 50/60 Hz (18 VA)*****	-
IP rating	IP54****	IP54****	IP54****	IP54****	IP54****	-

*F.S. : Full Scale

** : configurable at user level

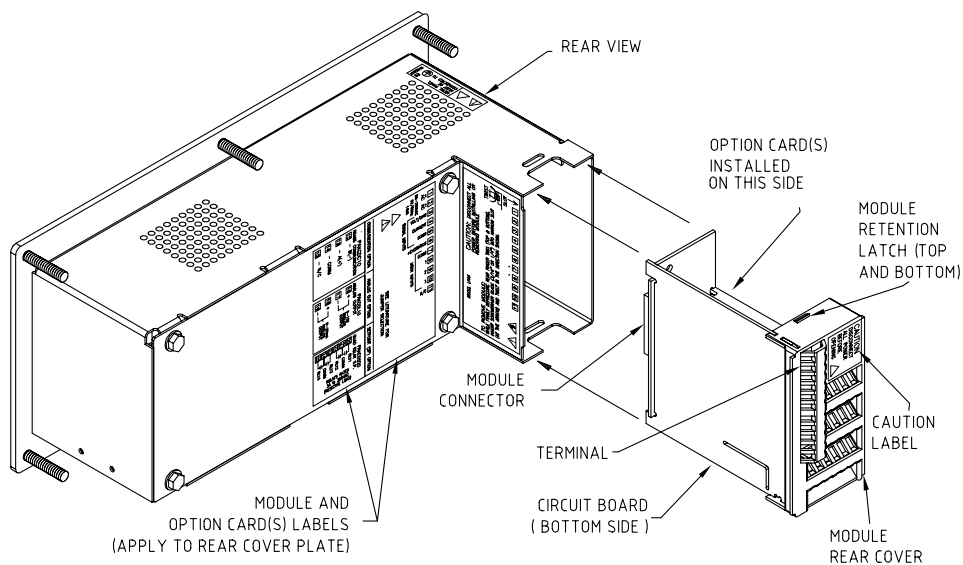
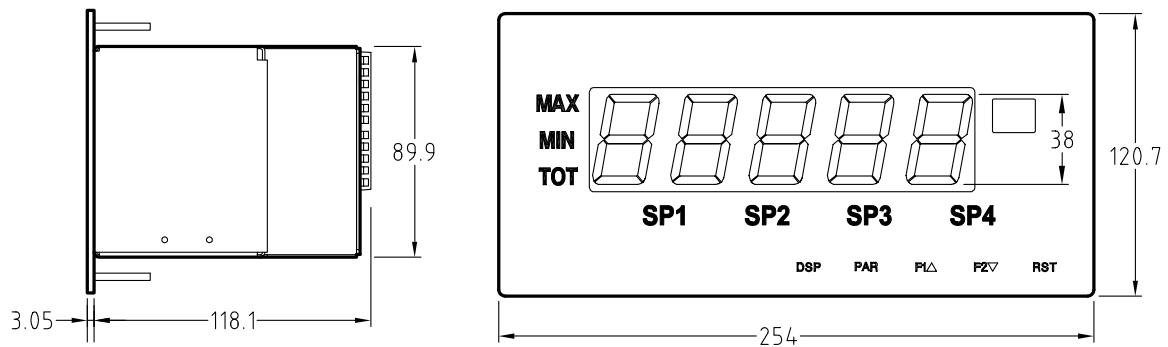
*** : 5 VDC @65 mA max (jumper selectable)

**** : IP rating for front panel only

***** : also available with 11...36 VDC (14 W), 24 VAC (18 VA) - Ref. : DISP-MAXD24

Specifications subject to change without notice

INDI-MAXS DISP-MAX > STANDARD DIMENSIONS

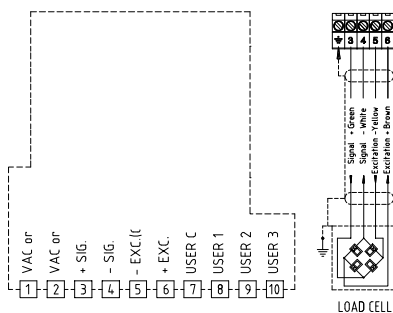


Note: recommended min. clearance (behind the panel) for mounting is 120 mm deep. Panel cut-out 240 mm (-0+0.8) 106.7 mm (-0+0.5)

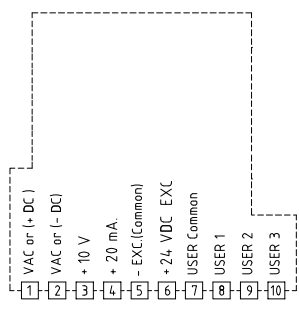
Dimensions in mm

Terminals

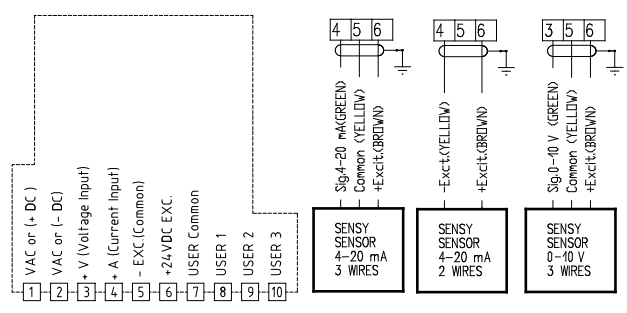
INDI-MAXS



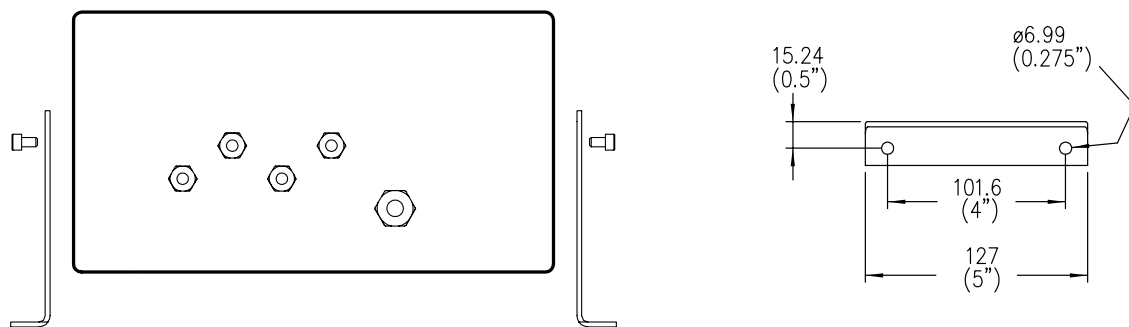
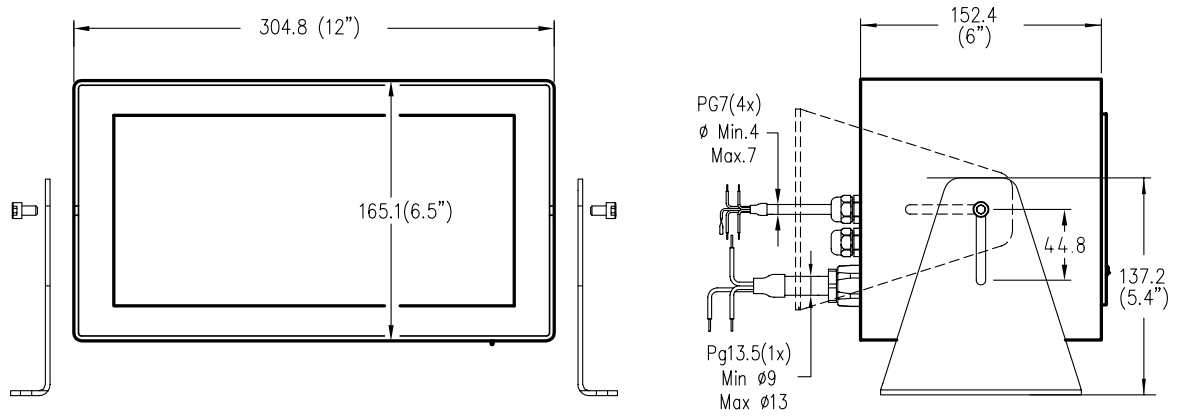
DISP-MAXP



DISP-MAXD

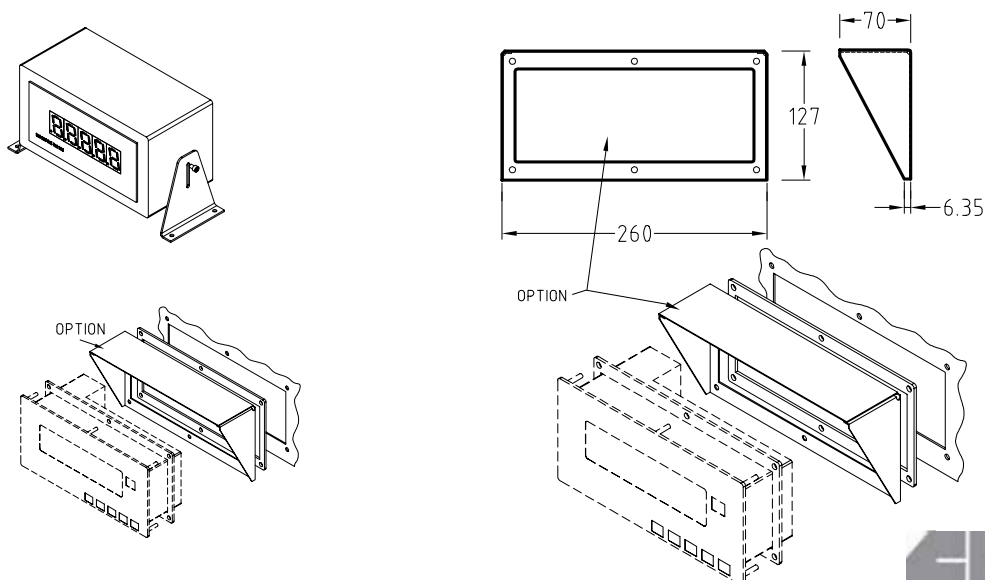


HOUSE-MAX-IP > STANDARD DIMENSIONS

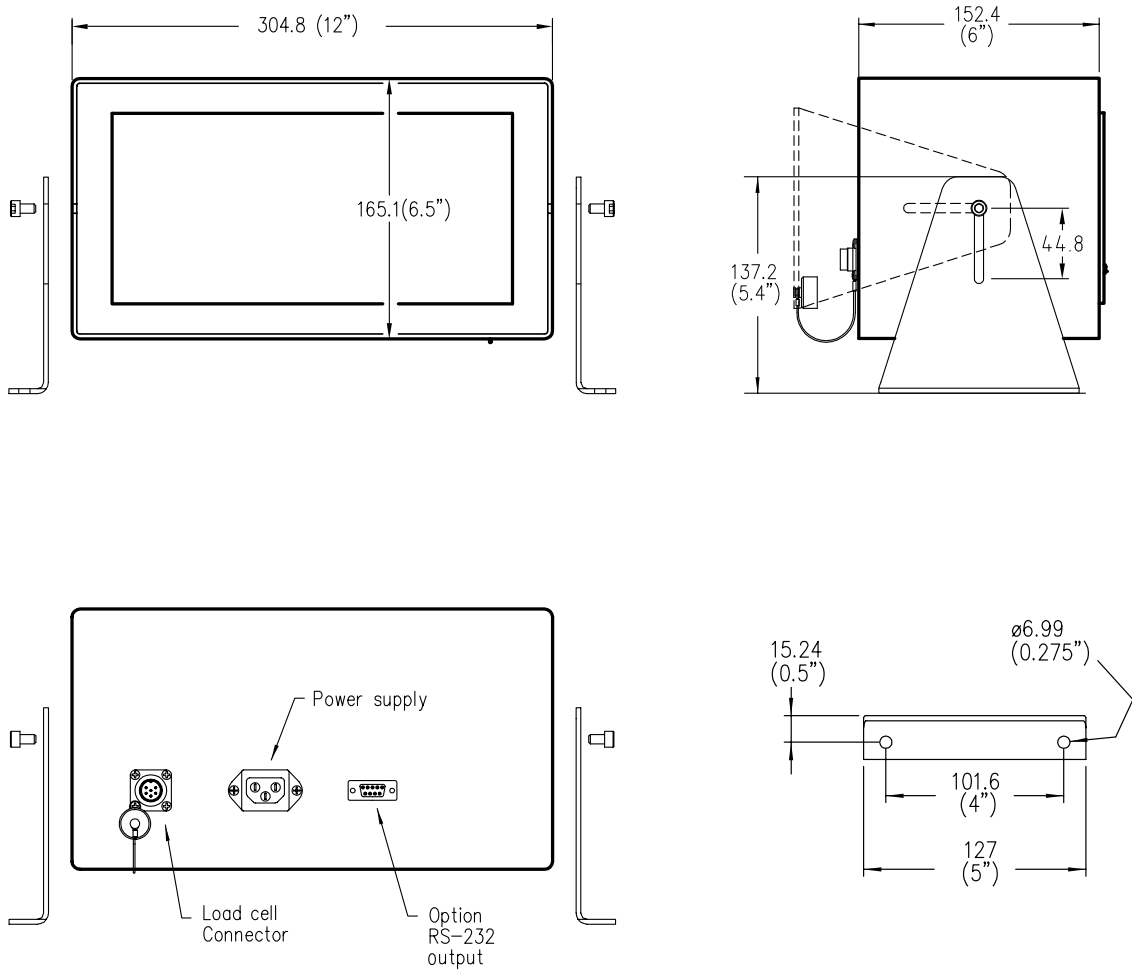


Other views

Dimensions in mm

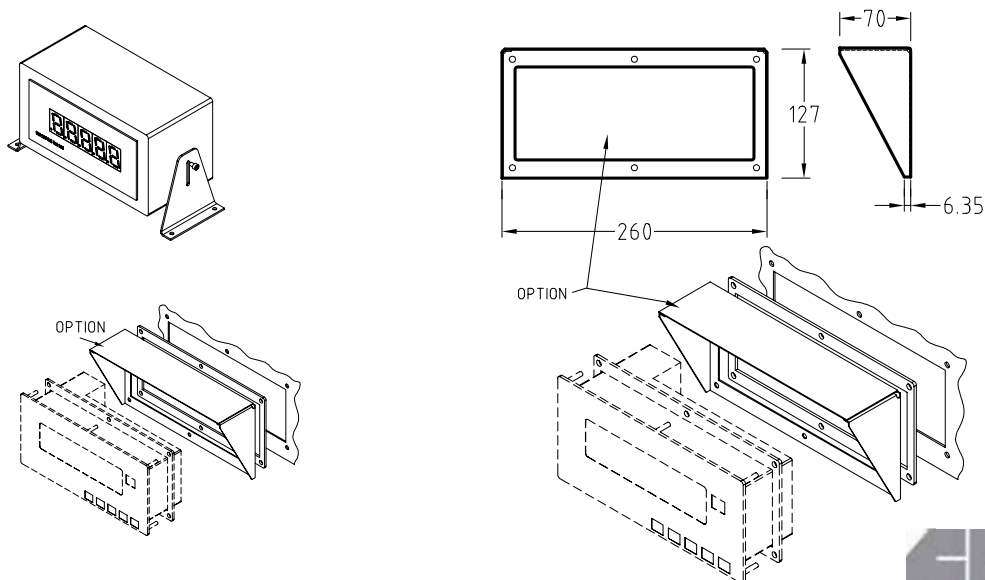


HOUSE-MAX > STANDARD DIMENSIONS



Other views

Dimensions in mm



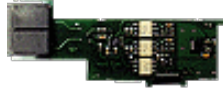
OPTION CARDS

Communication cards (max. 1 choice)

CARD-CDC10

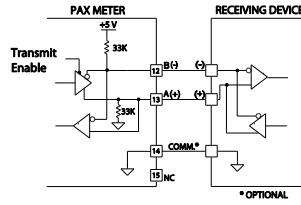


CARD-CDC1C

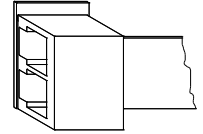
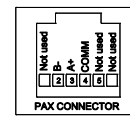


- RS-485 field bus communication interface
Available with crew terminals or DB9 connector

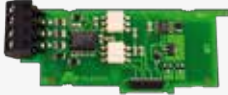
CARD-CDC10



CARD-CDC1C



CARD-CDC20

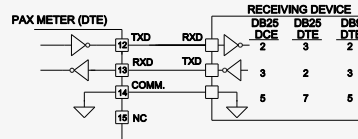


CARD-CDC2C

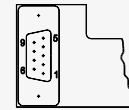


- RS-232 half-duplex communication interface
Available with crew terminals or DB9 connector

CARD-CDC20



CARD-CDC2C



FEMALE
PIN 2 TXD
PIN 3 RXD
PIN 5 COMMON

CARD-CDC30



CARD-CDC40



- DeviceNet communication interface
- Modbus communication interface

CARD-CDC50 / CARD-CDC50-CRANE*



- Profibus-DP (EN 50170) communication interface

* As the CARD-CDC50 is too long for the housing of the CRANE-BOY, the CARD-CDC50-CRANE is supplied with a spacer to be inserted between the front of the electronics and the housing.

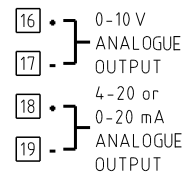
Analogue output card

CARD-CDL10



- Analogue output signal: 0-20 mA, 4-20 mA, 0-10 VDC

CARD-CDL10



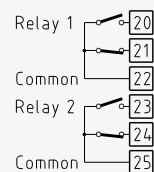
Relay cards (max. 1 choice)

CARD-CDS10 & CARD-CDS20

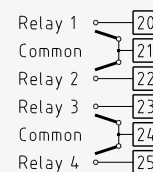


- 2 or 4 set-points activating each an independent relay

CARD-CDS10



CARD-CDS20



Cards already included

- Analogue output card:
CARD-CDL10

- Models:
CABIN-2xB1SUMD; CABIN-4xB1SUMD

- Relay card:
CARD-CDS20 (4 set-points)

- Models:
INDI-BOY DISP-BOYP; CRANE-BOY CRANE-BOYP; DISP-BOYDP
CRANE-BOYDP; CRANE-SUMD DISP-SUMD; CRANE-BOY-Exd;
CABIN-2xB1SUMD; CABIN-4xB1SUMD.