

Tight, strong, stable

Intrinsically safe optical Ex PS/2 keyboard and mouse with scroll buttons for extreme environments

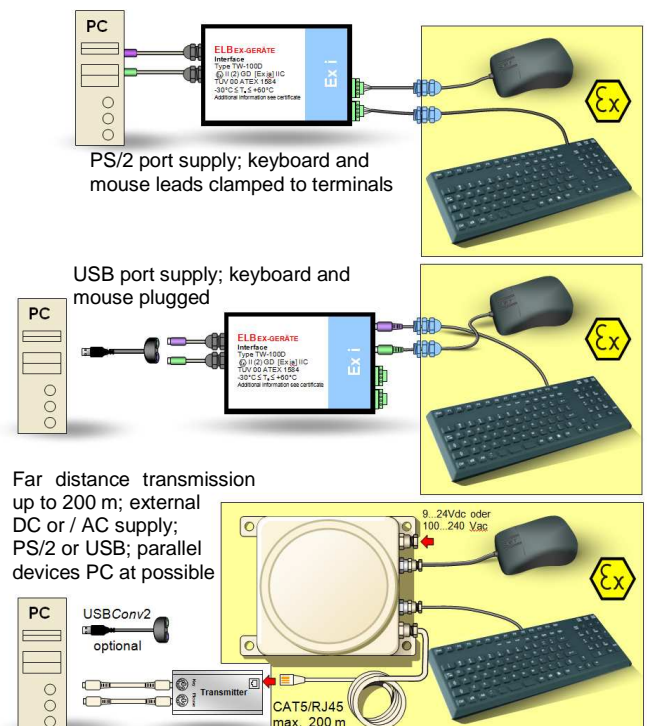
Certified for ATEX, IP66, IP68 (1h @ 1m) an IP69k







Ex Keyboard and Mouse

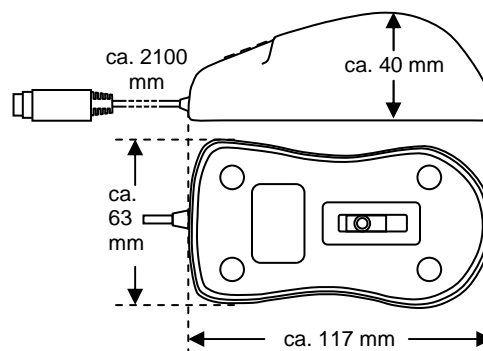
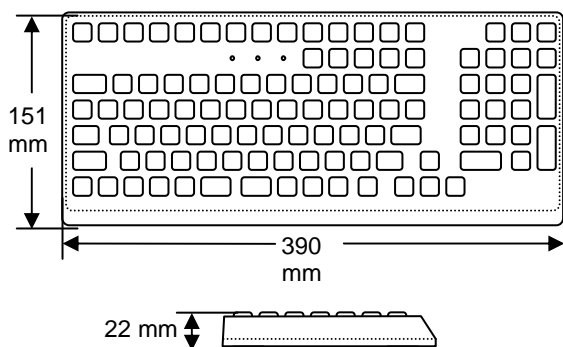
- Keyboard TT-108 and optical mouse KM-25-SI are PS/2 devices certified according to the latest ATEX standards for application in hazardous areas of the highest danger class with either gas and dust atmospheres.
- Best IP protection (IP69K), smooth surfaces without edges or notches and a special coating permit perfect cleaning even with high pressure cleaners and cleansing agent temperatures up to 80°C.
- Optical track detection makes the mouse KM-26-IP suitable for dirty industrial environments.
- The special silicone coating of both devices is resistant to the most chemicals and disinfectants which makes them applicable for the pharmaceutical and food industry.
- The interface TW-100D supplies keyboard and mouse in the hazardous area intrinsically safe and electrically insulated. Keyboard, mouse and PC can be connected with cheap commercial cables and connectors.
- With the USB converter USBConv1 on the PC side of the interface mouse and keyboard together can be supplied from one USB port only. The combination of USB data transfer and electrical insulation of mouse and keyboard is unique.
- The maximum admissible cable length between interface and keyboard is 20 m. Greater distances up to 200m are possible with the interface type TW-100DD and a simple CAT 5 cable.

Assembly examples:



Technical Data keyboard TT-108 / mouse KM-26-IP

Features	PS/2 devices with best possible IP class for extreme environments conditions inside of hazardous areas	
Ex protection	Installation	Zone 1, 2, 21 and 22
	Ex protection TT-108	 II2G Ex ia IIC T4 Gb  II2D Ex ia IIIC T79°C Db IP68 (≈NEMA 6, 6P)
	Ex protection KM-26-IP	 II2G Ex ia IIC T4 Gb  II2D Ex ia IIIC T65°C Db IP68 (≈NEMA 6, 6P)
	Certificates	TT-108: IBExU05ATEX1084X KM-26-IP: IBExU05ATEX1009
	IP class TT-108	Tested and certified for IP66, IP68 und IP69K
	IP class KM-26-IP	Tested and certified for IP66, IP68 und IP69K
Technical data	Keyboard	MF2 (105); short travel keys; life time: > 3 Mio. cycles Actuation force and travel: 3.0 ± 0.65 N / 0.35 mm
	Mouse	2 button mouse with 3 additional scroll buttons optical tracking, resolution 800 dpi
	PC port	PS/2; USB with converter USBConv1 in the safe area
	Cable length	Keyboard: ca. 1.8 m; mouse: ca. 2.1 m
	Key layout	US English; German (keyboard only; more layouts on request)
	Weight without cable	Keyboard TT-108: ca. 1.3 kg Mouse KM-26-IP: ca. 0.12 kg
Case	Dimensions TT-108	W x H x D: 20 mm x 387 mm x 150 mm
	Dimensions KM-26-IP	W x H x D: 40 mm x 63 mm x 117 mm
	Material: Keyboard and mouse	Silicone rubber top; keys with rub-off resistant printing by special coating; easy to disinfect by smooth key shapes; keyboard bottom: aluminium; mouse bottom: PC + ABS; surface colour: black
Intrinsically safe circuit	Permissible limits	$U_i = 5.4$ V, $I_i = 250$ mA, $P_i = 1.2$ W $L_i =$ negligible, $C_i = 18.0$ μ F
	Supply	via intrinsically safe interface TW-100D by the PC; connection with PS/2 or with USB via USBConv1
	Ambient temperatures	Operation: -20°C...+50°C @ T4 Storage: -30°C...+70°C



Order information:

PS/2 silicone keyboard, desktop version
Order no.: TT-108- ...

... = US for US key layout, DT for German Layout
Other layouts on request

Order information:

PS/2 silicone mouse
Order.-no.: KM-26-IP