

COND-SGA

CONDITIONER - AMPLIFIER FOR STRAIN-GAGE BASED TRANSDUCERS

The conditioner - amplifier COND-SGA provides standardized signals in current and voltage from every load cells, force transducers and torque sensors based on the strain-gauge technology.

COND-SGA



Features

- o Input : Wheatstone bridge 0.1 to 30mV/V
- o Output : 4(0)...20mA, -10...0...+10V
- o Low cost
- o Enclosure : ABS case 160 x 80 x 55mm

Applications

- Industrial weighing
- Industrial force and torque measurement
- Direct connection to PLC, display unit, industrial instrumentation, chart recorder or PC (with A/D card)

Functions

- Zero point and full scale by internal dip-switches and potentiometers
- With internal shunt calibration resistor of 120 kOhms.

Specifications	COND-SGA-D	COND-SGA-A	
Type	Strain gauge conditioner	Strain gauge conditioner	-
Input range	0.1...30 mV/V	0.1...30 mV/V	-
Sensor excitation	5 / 10 VDC (Zmin. : 85 Ohms)	5 / 10 VDC (Zmin. : 85 Ohms)	-
Service temperature range	-10...+50	-10...+50	C
Storage temperature range	-20...+70	-20...+70	C
Power supply	18...24 VDC* (5 VA)	115...230 VAC / 18...24 VDC (5VA)	-
IP Rating	IP65	IP65	-
Linearity error	< 0.03	< 0.03	% F.S.
Temperature coefficient of zero signal	< ± 0.01	< ± 0.01	% F.S./10 C
Temperature coefficient of the sensitivity	< ± 0.01	< ± 0.01	% F.S./10 C
Bandwidth	0...6000	0...6000	Hz
Low pass filter	1...5000	1...5000	s
Output tension	0..10 or -10..0..+10 (load R.>= 5kOhm)	0..10 or -10..0..+10 (load R.>= 5kOhm)	V
Output current	0...20 or 4...20 (load R.<= 500 Ohm)	0...20 or 4...20 (load R.<= 500 Ohm)	mA

* : Power supply : 9...36VDC available on request

F.S.: full scale - Specifications subject to change without notice

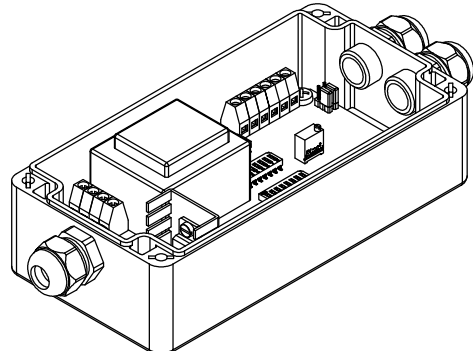
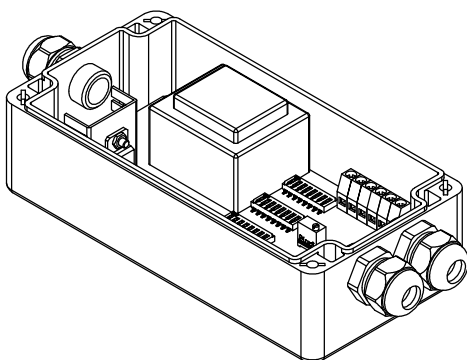
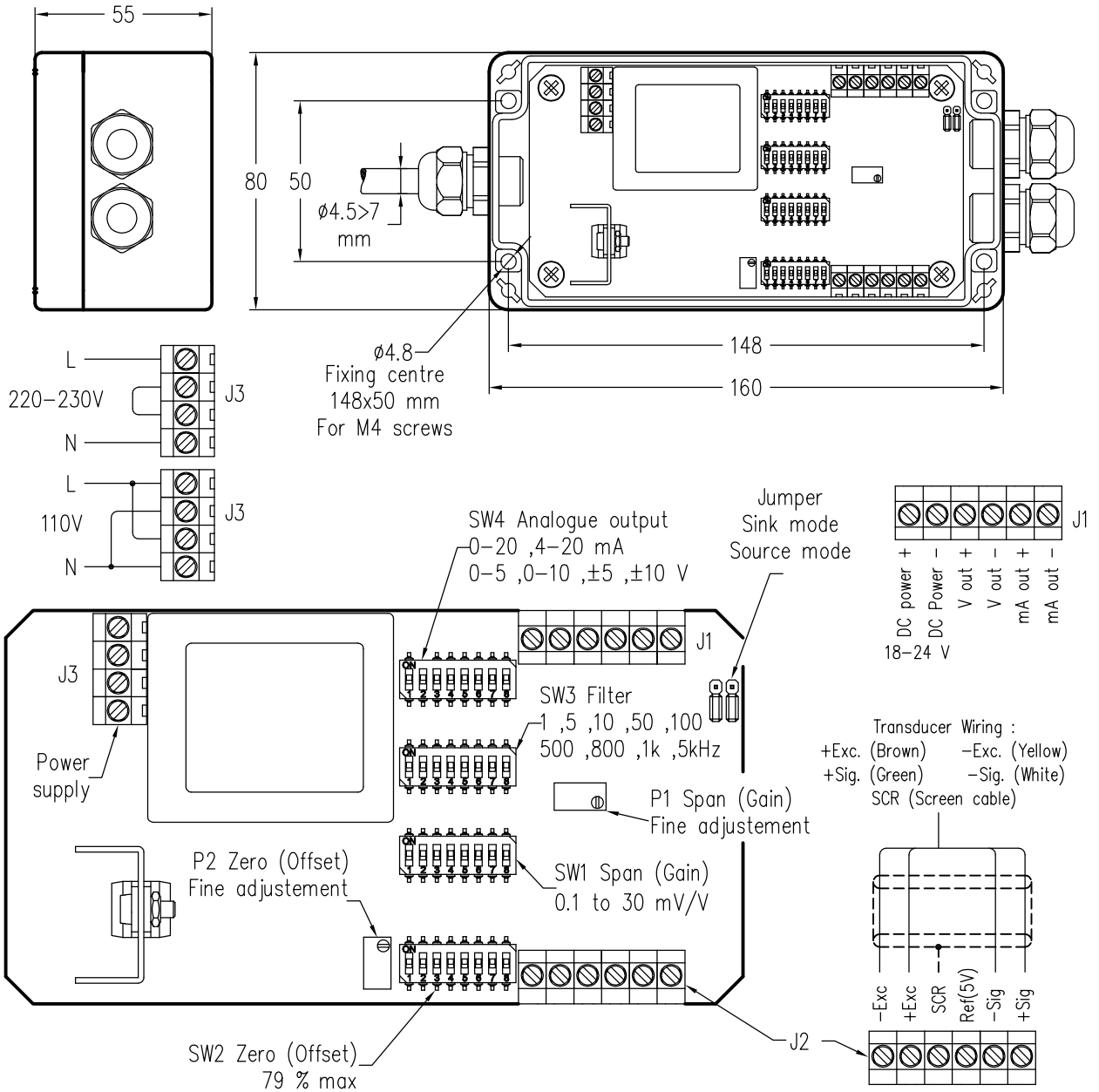


AMPLIFIER – CONDITIONER

model COND SGA-A



The COND SGA-A (amplifier and transmitter) provides a normalized signal (0-5, 0-10, ±5, ±10V / 0-20, 4-20 mA) from one to four transducers
 Power supply 110-230 VAC or 18-24 VDC - IP 65 enclosure ABS





AMPLIFIER – CONDITIONER

model COND SGA-D



The COND SGA-D (amplifier and transmitter) provides a normalized signal (0–5, 0–10, ±5, ±10V / 0–20, 4–20 mA) from one to four transducers
 Power supply 18–24 VDC – IP 65 enclosure ABS

