

INDI-ISO376

INDICATOR FOR STANDARD REFERENCE FORCE TRANSDUCERS

The INDI-ISO376 is a very high-accuracy portable indicator designed to be used in combination with standard reference force transducers with accuracy classes 1, 0,5 or 00 according to ISO 376 standard.



INDI-ISO376



Features

- o High accuracy: 0.01%
- o High resolution
- o 6-wire connection

Available option(s)

- acquisition and management software

Application(s)

SENSY's INDI-ISO376 is perfectly designed for the following application:

Calibration of test equipment and load cells / force transducers.

Function(s)

- Peak function
- Hold function
- RS-232, RS-485 output / MODBUS RTU protocol

Specifications	INDI-ISO376	
Type	Strain-gauge input (mV/V)	-
Accuracy class	Classes 1, 0,5 and 00 compatible	-
Input range	± 3.3 mV/V	-
Sensor excitation	10 VDC	-
Non-linearity error	≤ 0.002	% F.S.*
Display	6 digits	-
Internal resolution	10 000 / 1 000 000 div.	-
Service temperature range	-10...+50	°C
Storage temperature range	-25...+85	°C
Temperature coefficient of the sensitivity	< 0.0015	% F.S./10°C
Temperature coefficient of zero signal	< 0.001	% F.S./10°C
Power supply	110 / 240 VAC	-
IP rating	IP54	-

*F.S. : Full Scale.

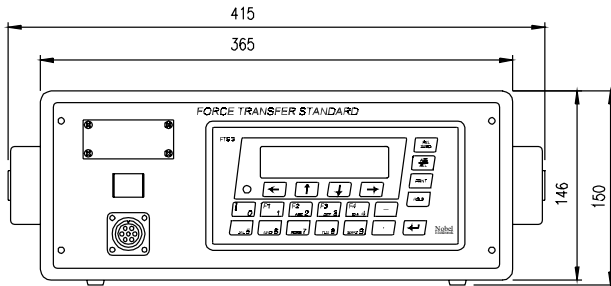
Specifications subject to change without notice.



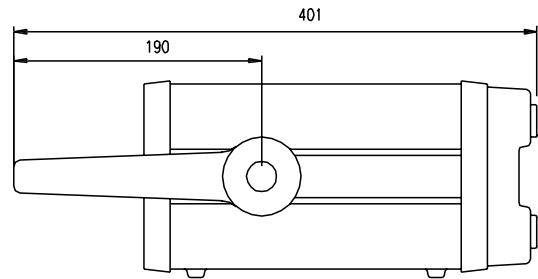
ISO 9001 certified

INDI-ISO376 > STANDARD DIMENSIONS

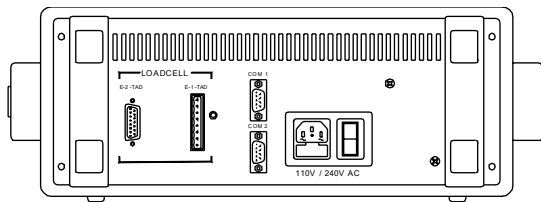
FRONT VIEW (HANDLE NOT SHOWN)



SIDE VIEW (SHOWING HANDLE)



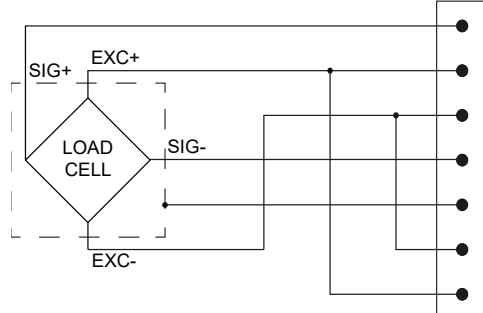
REAR VIEW (HANDLE NOT SHOWN)



Dimensions in mm

Terminals

CABLE MOUNTED PLUG
97-3106A-16S-1P



A	Signal-	White
B	Excitation+	Brown
C	Excitation-	Yellow
D	Signal+	Green
E	Shielding	
F	Sense-	Grey
G	Sense+	Pink

97-3102A-16S-1S
CHASSIS MOUNTED SOCKET