

Universal non-rotating torque meters combining accuracy and sturdiness.



Model 6200 - 10 N·m



Features

- Easy to install, compact design
- Protection class: see drawing table (IP)
- Materials: stainless steel (6200), nickel-plated steel (6205)
- Cable length: 3 m (other lengths available on request)
- Also available as standard reference torque meters

Most popular options



Ex i



Application(s)

SENSY's torque meters 6200-6205 are perfectly designed for the following applications:

- Torque measurement on machines,
- Servo control or torque limitation on industrial process,
- Calibration of torque wrench,
- Torque measurement in laboratories.

Capacities

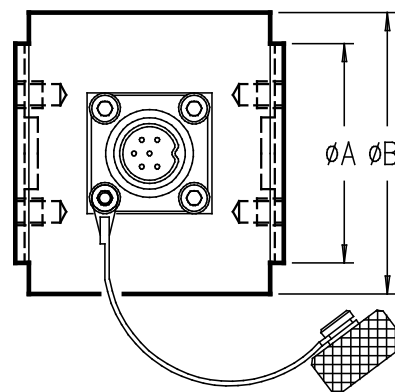
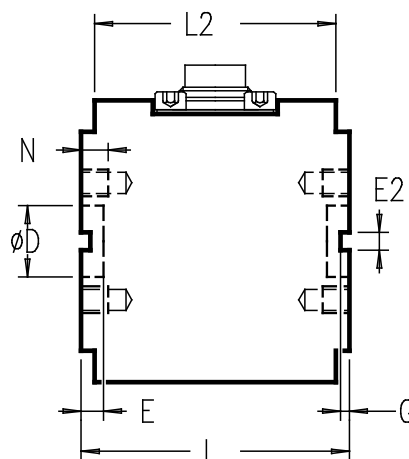
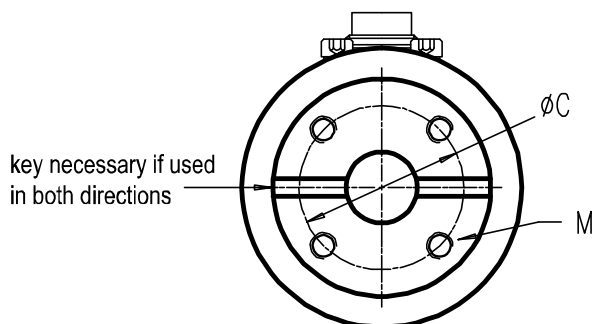
6200: 10 - 20 - 50 - 100 - 200 - 500 - 1000 - 2000 N·m
 6205: (10) - (20) - (50) - (100) - (200) - (500) - 1000 - 2000 N·m
 Higher capacity on request

Specifications	0.25 %	
Repeatability error	<± 0.1	% F.S.*
Creep error over 30 min.	<± 0.1	% F.S.*
Zero shift after loading	<± 0.025	% F.S.*
Reference temperature	23	°C
Compensated temperature range	-10...+45	°C
Service temperature range	-30...+70	°C
Storage temperature range	-50...+85	°C
Temperature coefficient of the sensitivity	<± 0.05	% F.S./10°C
Temperature coefficient of zero signal	<± 0.035	% F.S./10°C
Zero balance	± 0.02	mV/V
Nominal sensitivity	1.5	mV/V
Sensitivity tolerance	<± 0.3	%
Input resistance	350 ± 2	ohm(s)
Output resistance	350 ± 2	ohm(s)
Insulation resistance (50 V)	> 5000	Mohm(s)
Reference excitation voltage	10	VDC
Permissible nominal range of excitation voltage	3...12	VDC
Safe load limit	130	% F.S.*
Breaking load	>300	% F.S.*
Permissible dynamic loading	50	% F.S.*

* F.S. : Full Scale.

Specifications subject to change without notice.

6200-6205 > STANDARD DIMENSIONS



Ref. Item*	Capacities	ØA	ØB	ØC	ØD H7	E	E2	G	L	L2	M	N	IP	F max (N)	L3xP max (N x m)	Torsional stiffness (kN·m / rad)
6200-A	10 - 20 N·m	30	45	22	10	5	4	2	45	40	4x M4	4	IP54	100 - 160	8 - 10	2300 - 3500
6200-B	50 - 100 N·m	49	63	37	16	5	4	2	60	54	4x M6	6	IP67	2000 - 4000	16 - 32	4000 - 10200
6200-C	200 - 500 N·m	79	95	59	25	5	5	2.5	80	73	4x M10	10	IP67	6000 - 10000	64 - 163	20200 - 70000
620x-D	1 kN·m	99	112	78	40	5	6	3	125	115	4x M12	12	IP67	18000	323	105000
620x-E	2 kN·m	99	112	69	40	5	6	3	125	115	4x M16	16	IP67	30000	647	260000

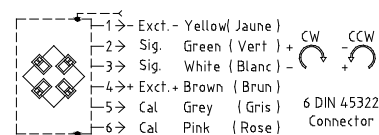
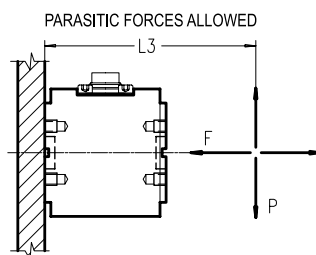
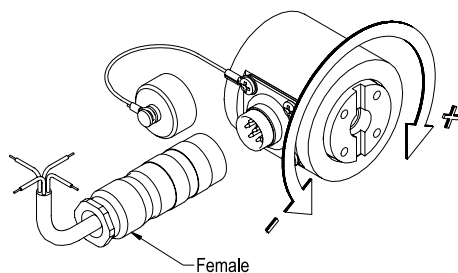
*x=Material: 6200 - stainless steel; 6205 - nickel-plated steel

Other capacities and dimensions available on request

Dimensions in mm

Other views

Wiring



Standard : Cable screen not connected to transducer
 Faradisation non connectée au capteur

Load direction

