

4500

SHEAR BEAM LOAD CELLS

Load cells for silo weighing combining a sturdy design with easy installation.



Model 4500 - 3 t



Features

- o Material: stainless steel
- o Protection class: IP67
- o Easy to install, cost-effective solution, sturdy design
- o Cable length: see drawing table - CL (other lengths available on request)
- o Mounting kits available with following properties:
 - stabilisation without tension rods
 - anti-lift-off device
 - compensation for thermal dilatations and defective alignment

Most popular options



IP68



Application(s) SENSY's load cells 4500 are perfectly designed for the following applications:

- Silo and tank weighing,
- Reactor or hopper weighing,
- Mixers (vibrating).

Capacities

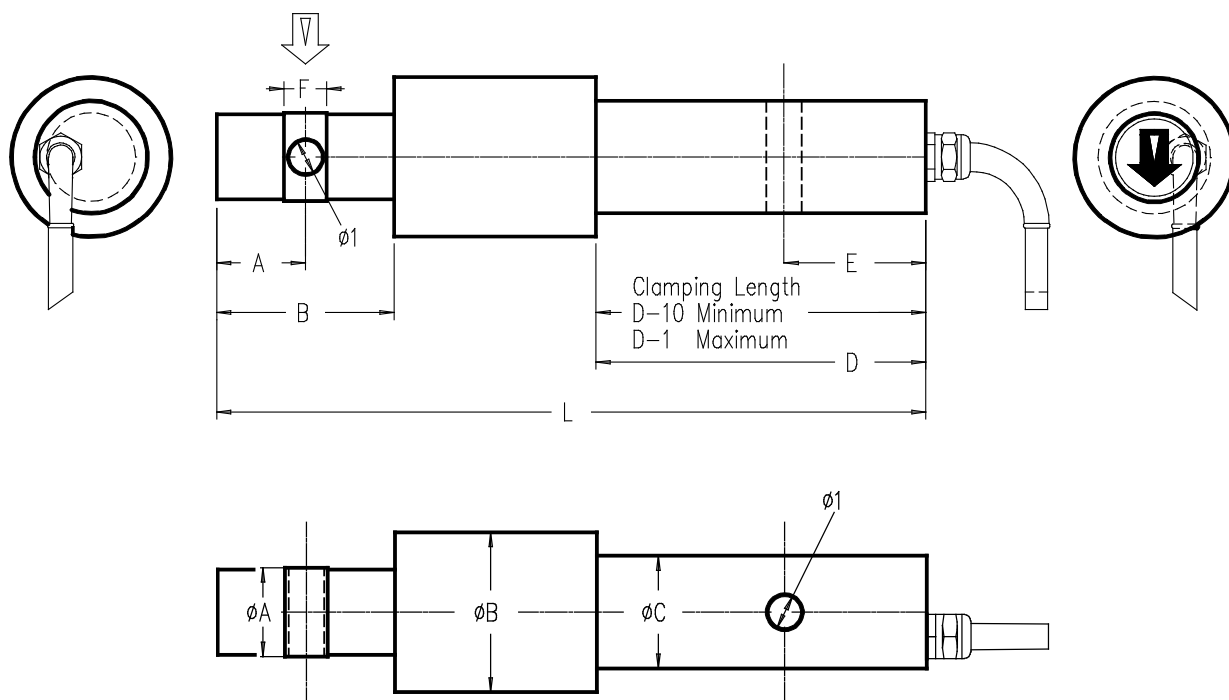
4500: (0.5)- (0.75) - 1 - 1.5 - 2 - 3 - 5 - 7.5 - 10 - 15 - 20 - 30 t

Specifications	0.1 %	
Accuracy class	0.1% F.S.*	-
Combined error (non-linearity + hysteresis)	< ± 0.1	% F.S.*
Repeatability error	<± 0.03	% F.S.*
Creep error over 30 min.	<± 0.06	% F.S.*
Reference temperature	23	°C
Compensated temperature range	-10...+45	°C
Service temperature range	-25...+70	°C
Storage temperature range	-50...+85	°C
Temperature coefficient of the sensitivity	<± 0.05	% F.S./10°C
Temperature coefficient of zero signal	<± 0.035	% F.S./10°C
Nominal sensitivity	2	mV/V
Sensitivity tolerance	<± 0.3	%
Input resistance	350 ± 2	ohm(s)
Output resistance	350 ± 2	ohm(s)
Insulation resistance (50 V)	> 5000	Mohm(s)
Reference excitation voltage	10	VDC
Permissible nominal range of excitation voltage	3...12	VDC
Safe load limit	150	% F.S.*
Breaking load	>300	% F.S.*
Permissible dynamic loading	50	% F.S.*
Static lateral force limit	100	% F.S.*

* F.S. : Full Scale.

Specifications subject to change without notice.

4500 > STANDARD DIMENSIONS



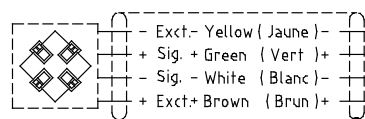
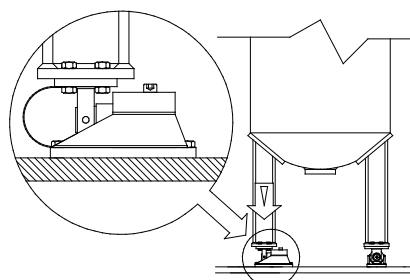
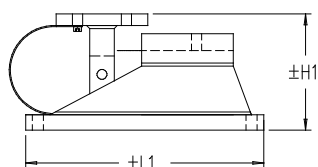
Ref. Item	Capacities	A	B	D	E	F	L	Ø1	ØA	ØB (MAX)	ØC	CL (m)	H1	L1	L2	Weight (kg)
4500-A	0.5 - 3 t	25	50	93	40	8	200	10	25	40	31.75	6	125	285	120	1.48
4500-B	5 - 7.5 t	25	50	93	40	12	200	10	40	49	49	6	125	285	120	3
4500-C	10 - 15 t	25	50	105	20	24	200	16	60	62	62	12	174	405	150	3.4
4500-D	20 t	25	50	145	60	24	240	16	60	62	62	12	174	405	150	4.3
4500-E	30 t	25	50	145	60	30	240	16	60	78	78	12	206.5	450	200	8

→ Other capacities and dimensions available on request

Dimensions in mm

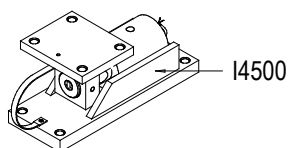
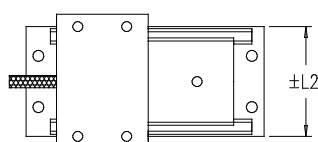
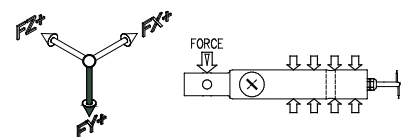
Accessories

Wiring

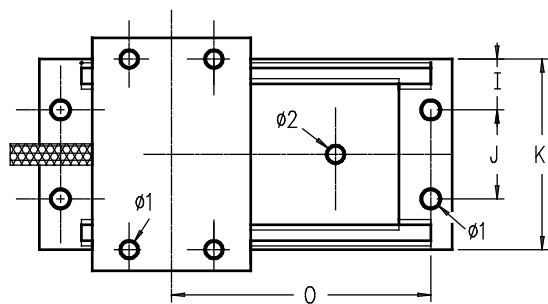
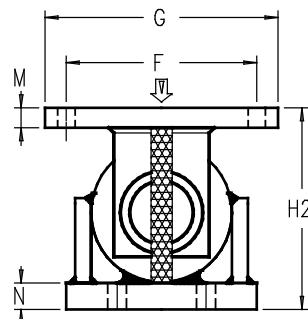
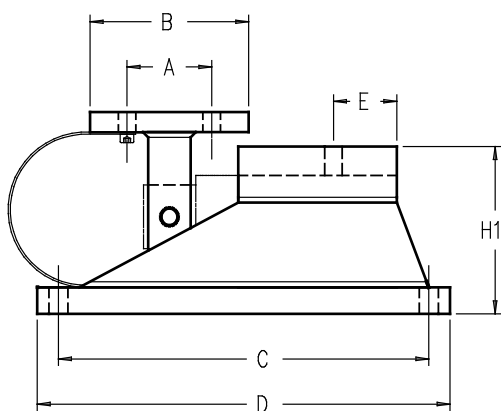


Standard : Cable screen not connected to transducer
Faradisation non connectée au capteur

Load direction



→ I4500-I4505 > STANDARD DIMENSIONS



Ref. Item*	Capacities	A	B	C	D	E	F	G	I	J	K	M	N	O	Ø1	Ø2	H1	H2	Weight (kg)
I450x-A	0.5 - 3 t	60	90	255	285	40	90	120	15	90	120	15	20	200	12.5	10.5	100	125	10.6 (I4505 Ni plated)
I450x-B	5 - 7.5 t	60	90	255	285	40	90	120	15	90	120	15	20	200	12.5	10.5	100	125	11.2 (I4505 Ni plated)
I450x-CD	10 - 20 t	110	150	365	405	60	140	180	20	110	150	20	30	260	17	16.5	134	174	23.5 (I4505 painted)
I450x-E	30 t	110	150	407	450	60	157	200	30	157	200	30	30	273.5	21.5	16.5	160	206.5	48 (I4505 painted)

*x=Material: I4500 - stainless steel; I4505 - alloy steel

→ Other capacities and dimensions available on request

Dimensions in mm

Other views

