

5910

LOW-PROFILE COMPRESSION LOAD CELL

Load cell combining high capacity with low design.



Model 5910 - 2 t



Features

- o Material: stainless steel
- o Protection class: IP67
- o Low design
- o Cost-effective solution
- o Sturdy design
- o Easy to install
- o Cable length: 3 m (other lengths available on request)

Most popular options



Ex i



-50°C...+150°C

IP68

Application(s) SENSY's load cell 5910 is perfectly designed for the following applications:

- Manufacturing of portable wheel scales,
- Industrial force applications where space is limited,
- Silos, tanks, hoppers or reactors weighing.

Capacities

5910: (0.3) - 0.5 - (0.75) - 1 - (1.5) - 2 - 3 - 5 t

| Specifications | 0.25 % | 0.1 % | |
|---|--------------|------------|-------------|
| Accuracy class | 0.25 % F.S.* | 0.1% F.S.* | - |
| Combined error (non-linearity + hysteresis) | <± 0.25 | < ± 0.1 | % F.S.* |
| Repeatability error | <± 0.1 | <± 0.03 | % F.S.* |
| Creep error over 30 min. | <± 0.1 | <± 0.06 | % F.S.* |
| Reference temperature | 23 | 23 | °C |
| Compensated temperature range | -10...+45 | -10...+45 | °C |
| Service temperature range | -25...+70 | -25...+70 | °C |
| Storage temperature range | -50...+85 | -50...+85 | °C |
| Temperature coefficient of the sensitivity | <± 0.05 | <± 0.05 | % F.S./10°C |
| Temperature coefficient of zero signal | <± 0.035 | <± 0.035 | % F.S./10°C |
| Nominal sensitivity | 1.5 | 1.5 | V |
| Sensitivity tolerance | <± 0.3 | <± 0.3 | % |
| Input resistance | 700 ± 2 | 700 ± 2 | ohm(s) |
| Output resistance | 700 ± 2 | 700 ± 2 | ohm(s) |
| Insulation resistance (50 V) | > 5000 | > 5000 | Mohm(s) |
| Reference excitation voltage | 10 | 10 | VDC |
| Permissible nominal range of excitation voltage | 3...12 | 3...12 | VDC |
| Safe load limit | 150 | 150 | % F.S.* |
| Breaking load | >300 | >300 | % F.S.* |
| Permissible dynamic loading | 40 | 40 | % F.S.* |
| Static lateral force limit | 10 | 10 | % F.S.* |

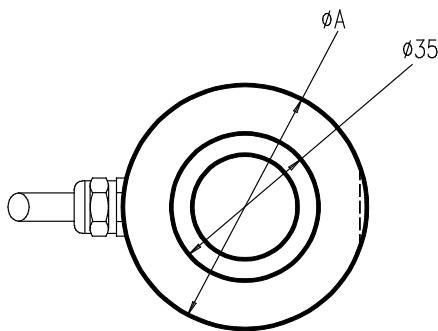
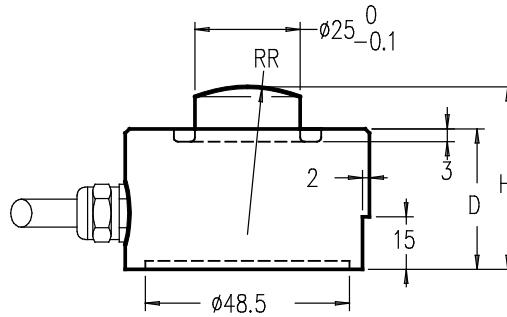
* F.S.: Full Scale.

Specifications subject to change without notice.



ISO 9001 certified

5910 > STANDARD DIMENSIONS

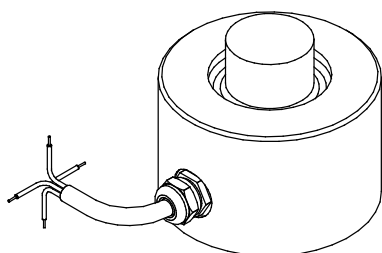


| Ref. Item | Capacities | ØA | D | H | RR | CL (m) | Max. Deflexion (mm) | Weight (kg) |
|-----------|------------|----|----|----|----|--------|---------------------|-------------|
| 5910-A | 0.3 - 5 t | 59 | 30 | 40 | 35 | 3 | 0.04 - 0.07 | ±0.6 |

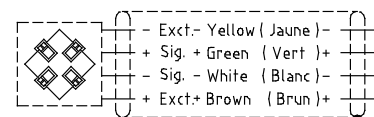
→ Other capacities and dimensions available on request

Dimensions in mm

Other view



Wiring



Standard : Cable screen not connected to transducer
Faradisation non connectée au capteur

Load direction

