

### APPLICATION:

Electronic hooks, Suspended deposits, Hybridizations

### CAPACITY RANGE:

15kg - 30kg - 50kg - 100kg - 300kg - 500kg - 1t

### MATERIAL:

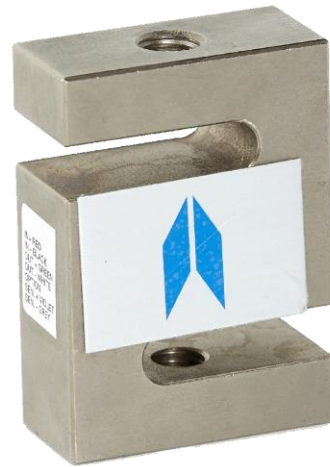
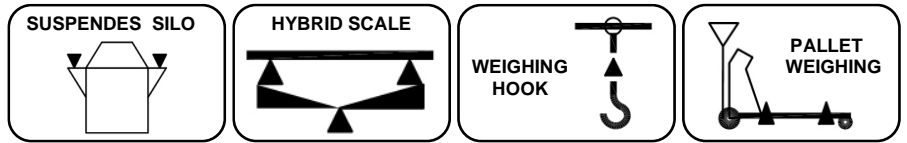
Special Steel

### ENVIRONMENTAL PROTECTION:

IP67

### APPROVALS:

CE 3000 Div – E-12.02.C08 From 210 kg up to 1050kj  
According to OIML - R60



**TEFLÓN®** protects all the internal cables

### CHARACTERISTICS

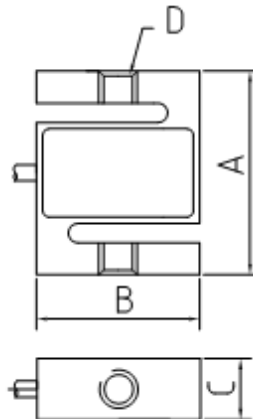
Construction using special steel.  
High quality protection barrier using special silicones.  
Mounting compatibility.

### APPLICATIONS

The TC model is manufactured to maintain its performance capabilities in the environmental conditions existing in industries, where tasks and cleaning demand a good environmental protection.

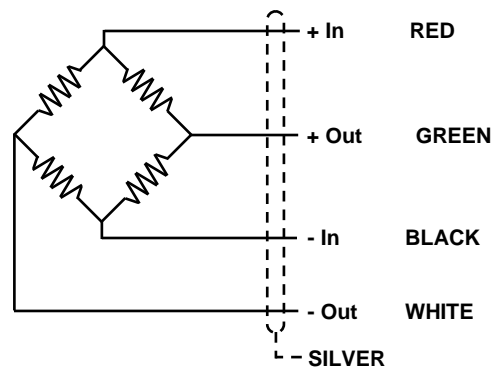
### OPTIONS

Sensitivity alignment:  $\pm 0,1\%$ .  
Consult for special requirements.



Capacity	A	B	C	D
15 to 50	64	51	13	M8
100 to 500	76	51	19	M12
1000	76	54	25.4	M12

Dimensions in mm



## GENERAL TECHNICAL CHARACTERISTICS FOR $g = 9,8031 \text{ m/s}^2$

OIML Class	C3	UNITS
Divisions $n_{LC}$	3000	
Minimum Dead load $E_{min}$	0	kg
$Z = E_{max} / 2DR$	3000	
$Y = E_{max} / V_{min}$	10000	
Rated Capacity $E_{max}$	15 - 30 - 50 - 100 - 300 - 500 - 1000	kg
Rated Sensitivity C	$2 \pm 10 \%$	mV/V
Rated Input Voltage	10	V dc
Input Voltage Range	5...15	V ac/dc
Input Resistance $R_{LC}$	$381 \pm 10$	$\Omega$
Output Resistance	$350 \pm 3$	$\Omega$
Zero Balance	$\pm 2$	% $E_{max}$
Insulation Resistance at 50 V DC	> 5000	M $\Omega$
Service Overload	> 150	% $E_{max}$
Overload Limit	> 300	% $E_{max}$
Temperature Range : Compensated	- 10 ... 40	$^{\circ}\text{C}$
: Operating	- 30 ... 85	$^{\circ}\text{C}$
: Storage	- 30 ... 90	$^{\circ}\text{C}$
Max. Nonlinearity	0,02	% $E_{max}$
Max. Hysteresis	0,02	% $E_{max}$
Max. No repeatability	0,01	% $E_{max}$
M Max. Creep in 4 hours	0,03	% $E_{max}$
Max. Zero Recovery Test in 1/2 hour	0,02	% $E_{max}$
Max Temperature effect : On Sensitivity	0,02	% $E_{max} / ^{\circ}\text{C}$
: On Zero	0,02	% $E_{max} / ^{\circ}\text{C}$
Weight	290 (15kg to 100kg) 400 (150kg to 500kg) 500 (1000kg)	g
Cable Length	5	m
Environmental Protection	IP67 - DIN 40050	



Ref: 491300 / 15 to 50kg  
Ref: 491301 / 100 to 1t