

CFI-IP68



APPLICATION:

Multi-cell scales

CAPACITY RANGE:

100kg - 150kg - 300kg - 500kg

MATERIAL:

Plated Steel

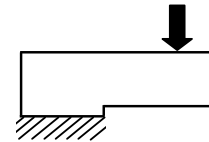
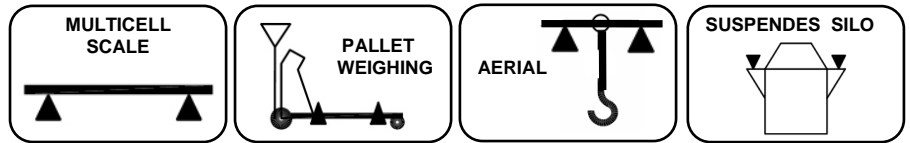
ENVIRONMENTAL PROTECTION:

IP68

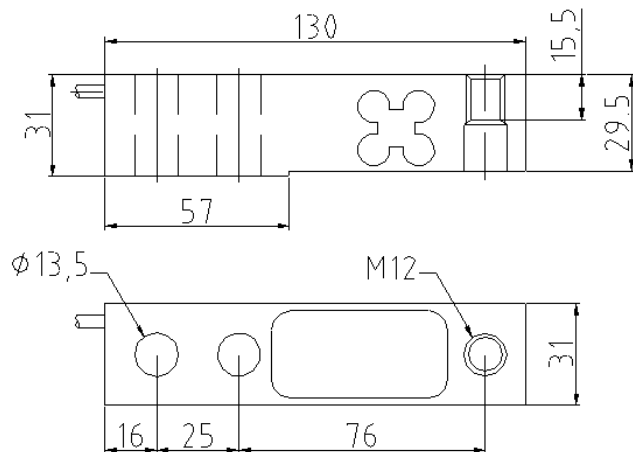
APPROVALS:

CE 3000 Div - TC6176 from 100 to 500kg

OIML 3000 Div - R60/2000-NL 1-03.01



TEFLÓN® protects all the internal cables



Dimensions in mm

CHARACTERISTICS

Construction using stainless steel.

The laser soldered closing protects from the typical environment in food and chemical industry.

Mounting compatibility.

APPLICATIONS

The CFI-IP68 model is manufactured to maintain its performance capabilities in the environmental conditions existing in food industries, where tasks and cleaning demand a good environmental protection.

If the required capacities are over 500kg, select the CSI-IP68 model, which is mechanically compatible and reaches a 2000 kg capacity.

OPTIONS

Length of the cable is optional.

Hostile environmental cable.

ATEX option

EC-Type examination certificate

CEC 11 ATEX 040 X according

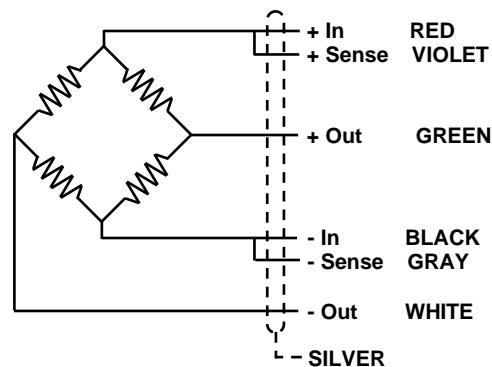
directive 94/9/EC

Ex II 1G EEExia IIC T6 (Ta-20÷+40°C)
TX (Ta-20÷+65°C)

Ex II 1D tD A20 TX°C (Ta-20÷+40°C)
TX°C (Ta-20÷+65°C)

For more information look up the EC-type examination certificate, and documentation.

Consult for special requirements.



www.ascellsensor.com
info@ascellsensor.com

Tel: (+34) 93 776 60 89
Fax: (+34) 93 775 14 72

GENERAL TECHNICAL CHARACTERISTICS FOR $g= 9,8031 \text{ m/ s}^2$

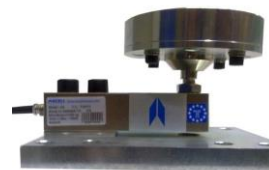
OIML Class	C3	UNITS
Divisions n_{LC}	3000	
Minimum Dead load E_{min}	0	kg
$Z= E_{max} / 2DR$	3000	
$Y= E \text{ max.} / V_{min.}$	10000	
Rated Capacity E_{max}	50 - 100 - 150 - 300 - 500	kg
Rated Sensitivity C	$2 \pm 0,1 \%$	mV/V
Rated Input Voltage	10	V dc
Input Voltage Range	5...15	V ac/dc
Input Resistance R_{LC}	350 ± 3	Ω
Output Resistance	350 ± 3	Ω
Zero Balance	± 2	% E_{max}
Insulation Resistance at 50 V DC	> 5000	M Ω
Service Overload	> 150	% E_{max}
Overload Limit	> 300	% E_{max}
Temperature Range : Compensated	- 10 ... 40	$^{\circ}\text{C}$
: Operating	- 30 ... 85	$^{\circ}\text{C}$
: Storage	- 30 ... 90	$^{\circ}\text{C}$
Max. Nonlinearity	0,02	% E_{max}
Max. Hysteresis	0,02	% E_{max}
Max. No repeatability	0,01	% E_{max}
M Max. Creep in 4 hours	0,03	% E_{max}
Max. Zero Recovery Test in $\frac{1}{2}$ hour	0,011	% E_{max}
Max Temperature effect : On Sensitivity	0,0013	% $E_{max} / ^{\circ}\text{C}$
: On Zero	0,0014	% $E_{max} / ^{\circ}\text{C}$
Weight	800	g
Cable Length	5	m
Environmental Protection	IP68 - DIN 40050 (100h 1m)	



Ref: 491216
Ref: 491214 (S. Steel)



Ref: 491100A
Ref: 491101A (S. Steel)



Ref: 491220
Ref: 491221 (S. Steel)



Ref: 491106
Ref: 491107 (S. Steel)



Ref: 491209



Ref: 491206



Ref: 491222
Ref: 491223 (S. Steel)