

APPLICATION:

Multi-cell scales

CAPACITY RANGE:

30kg - 50kg - 100kg - 150kg - 300kg - 500kg

MATERIAL:

Plated Steel

ENVIRONMENTAL PROTECTION:

IP67

APPROVALS:

CE 3000 Div - TC6176 from 100 to 500kg

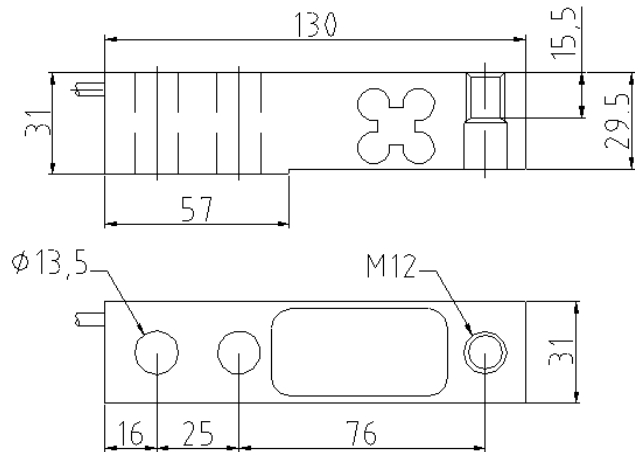
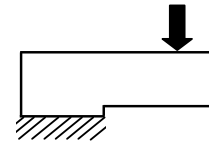
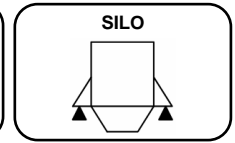
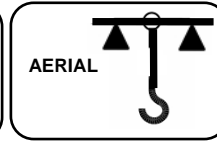
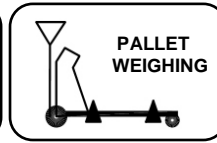
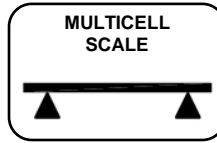
OIML 3000 Div - R60/2000-NL 1-03.01

IP67

M

OIML

C3



Dimensiones en mm

CHARACTERISTICS

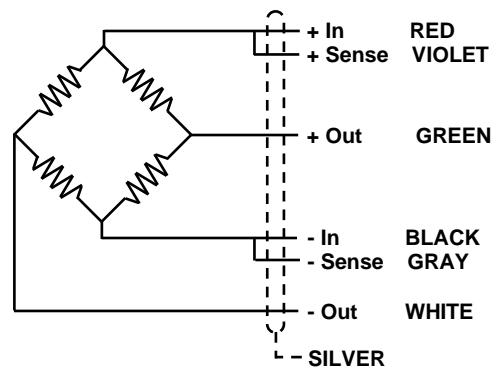
Construction using special steel.
High quality protection barrier using special silicones.
Mounting compatibility.

APPLICATIONS

The CF model is manufactured to maintain its performance capabilities in the environmental conditions existing in food industries, where tasks and cleaning demand a good environmental protection. If the required capacities are over 500kg, select the CS model, which is mechanically compatible and reaches a 2000 kg capacity.

OPTIONS

Length of the cable is optional.
Hostile environmental cable.
Consult for special requirements.



GENERAL TECHNICAL CHARACTERISTICS FOR $g= 9,8031 \text{ m/ s}^2$

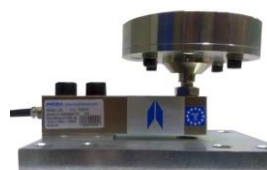
OIML Class	C3	UNITS
Divisions n_{LC}	3000	
Minimum Dead load E_{min}	0	kg
$Z= E_{max} / 2DR$	3000	
$Y= E \text{ max.} / V_{min.}$	10000	
Rated Capacity E_{max}	100 - 150 - 300 - 500	kg
Rated Sensitivity C	$2 \pm 0,1 \%$	mV/V
Rated Input Voltage	10	V dc
Input Voltage Range	5...15	V ac/dc
Input Resistance R_{LC}	350 ± 3	Ω
Output Resistance	350 ± 3	Ω
Zero Balance	± 2	% E_{max}
Insulation Resistance at 50 V DC	> 5000	M Ω
Service Overload	> 150	% E_{max}
Overload Limit	> 300	% E_{max}
Temperature Range : Compensated	- 10 ... 40	$^{\circ}\text{C}$
: Operating	- 30 ... 85	$^{\circ}\text{C}$
: Storage	- 30 ... 90	$^{\circ}\text{C}$
Max. Nonlinearity	0,02	% E_{max}
Max. Hysteresis	0,02	% E_{max}
Max. No repeatability	0,01	% E_{max}
M Max. Creep in 4 hours	0,03	% E_{max}
Max. Zero Recovery Test in $\frac{1}{2}$ hour	0,011	% E_{max}
Max Temperature effect : On Sensitivity	0,0013	% $E_{max} / ^{\circ}\text{C}$
: On Zero	0,0014	% $E_{max} / ^{\circ}\text{C}$
Weight	800	g
Cable Length	5	m
Environmental Protection	IP67 - DIN 40050	



Ref: 491216
Ref: 491214 (S. Steel)



Ref: 491100A
Ref: 491101A (S. Steel)



Ref: 491220
Ref: 491221 (S. Steel)



Ref: 491106
Ref: 491107 (S. Steel)



Ref: 491209



Ref: 491206



Ref: 491222
Ref: 491223 (S. Steel)

ISO 9001

 Made in EUROPE