

## APPLICATION:

Multi-cell scales

## CAPACITY RANGE:

15kg - 25kg - 30kg - 50kg - 75kg -  
100kg - 150kg - 200kg - 250kg - 300kg  
- 500kg - 750 kg - 1000kg - 1500 kg

## MATERIAL:

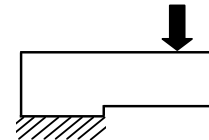
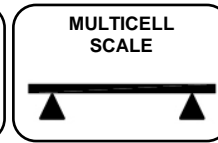
Stainless Steel

## ENVIRONMENTAL PROTECTION:

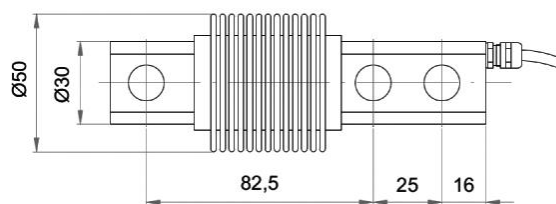
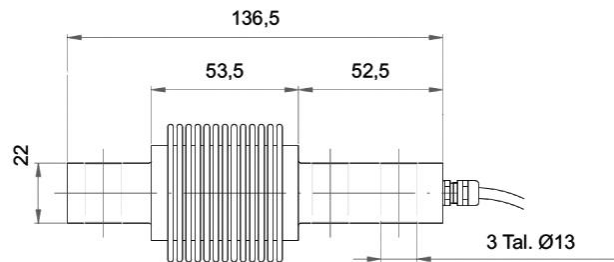
IP68

## APPROVALS:

According to OIML R60



**TEFLÓN®** protects all the internal cables



**Dimensions in mm**

## APPLICATIONS

The CFSIF model is manufactured to maintain its performance capabilities in the environmental conditions existing in industries, where tasks and cleaning demand a good environmental protection.

## OPTIONS

Length of the cable is optional.

Hostile environmental cable.

ATEX option

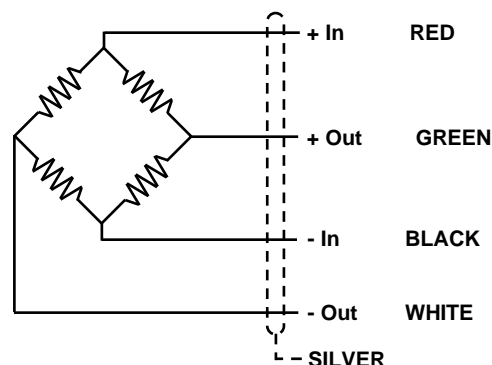
EC-Type examination certificate  
CEC 11 ATEX 040 X according  
directive 94/9/EC

**Ex** II 1G EExia IIC T6 (Ta-20÷+40°C)  
TX (Ta-20÷+65°C)

**Ex** II 1D tD A20 TX°C (Ta-20÷+40°C)  
TX°C (Ta-20÷+65°C)

For more information look up the EC-type examination certificate, and documentation.

Consult for special requirements.



## GENERAL TECHNICAL CHARACTERISTICS FOR $g= 9,8031 \text{ m/ s}^2$

OIML Class	C3	UNITS
Divisions $n_{LC}$	3000	
Minimum Dead load $E_{min}$	0	kg
$Z= E_{max} / 2DR$	3000	
$Y= E \text{ max.} / V_{min.}$	10000	
Rated Capacity $E_{max}$	15 - 25 - 30 - 50 - 75 - 100 - 150 - 200 - 250 - 300 - 500 - 750 - 1000 - 1500	kg
Rated Sensitivity C	$2 \pm 0,1 \%$	mV/V
Rated Input Voltage	10	V dc
Input Voltage Range	5...15	V ac/dc
Input Resistance $R_{LC}$	$350 \pm 5$	$\Omega$
Output Resistance	$350 \pm 4$	$\Omega$
Zero Balance	$\pm 2$	% Emax
Insulation Resistance at 50 V DC	> 5000	M $\Omega$
Service Overload	> 150	% Emax
Overload Limit	> 300	% Emax
Temperature Range : Compensated	- 10 ... 40	$^{\circ}\text{C}$
: Operating	- 30 ... 85	$^{\circ}\text{C}$
: Storage	- 30 ... 90	$^{\circ}\text{C}$
Max. Nonlinearity	0,02	% Emax
Max. Hysteresis	0,02	% Emax
Max. No repeatability	0,01	% Emax
M Max. Creep in 4 hours	0,03	% Emax
Max. Zero Recovery Test in 1/2 hour	0,011	% Emax
Max Temperature effect : On Sensitivity	0,0013	% Emax / $^{\circ}\text{C}$
: On Zero	0,0014	% Emax / $^{\circ}\text{C}$
Weight	800	g
Cable Length	5	m
Environmental Protection	IP68 - DIN 40050 (100h 1m)	