

APPLICATION:

Multi-cell scales

CAPACITY RANGE:

15kg - 25kg - 50kg - 100kg - 150kg - 200kg

MATERIAL:

Stainless Steel

ENVIRONMENTAL PROTECTION:

IP68

APPROVALS:

According to OIML R60

CHARACTERISTICS

Construction using stainless steel. The laser soldered closing protects from the typical environment in food and chemical industry. Mounting compatibility.

APPLICATIONS

The CFLIF model is manufactured to maintain its performance capabilities in the environmental conditions existing in industries, where tasks and cleaning demand a good environmental protection.

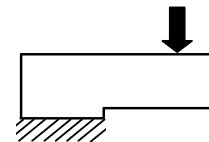
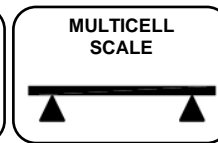
OPTIONS

Length of the cable is optional.
Hostile environmental cable.
ATEX option
EC-Type examination certificate
CEC 11 ATEX 040 X according
directive 94/9/EC

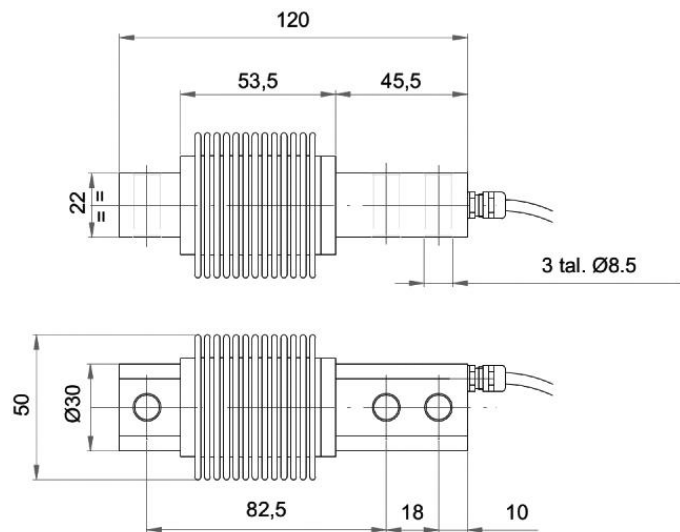
II 1G EEExia IIC T6 (Ta2-0÷+40°C)
TX (Ta-20÷+65°C)

II 1D tD A20 TX°C (Ta-20÷+40°C)
TX°C (Ta-20÷+65°C)

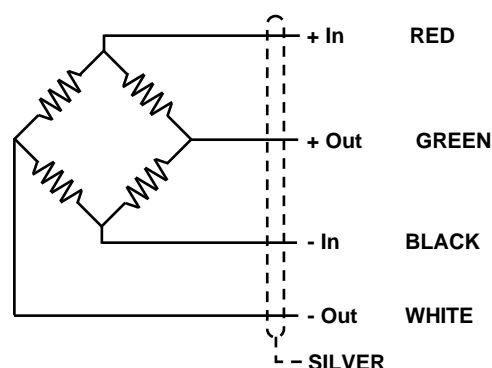
For more information look up the EC-type examination certificate, and documentation.
Consult for special requirements.



TEFLÓN® protects all the internal cables



Dimensions in mm



GENERAL TECHNICAL CHARACTERISTICS FOR $g= 9,8031 \text{ m/ s}^2$

OIML Class	C3	UNITS
Divisions n_{LC}	3000	
Minimum Dead load E_{min}	0	kg
$Z= E_{max} / 2DR$	3000	
$Y= E \text{ max.} / V_{min.}$	10000	
Rated Capacity E_{max}	15 - 25 - 50 - 100 - 150 - 200	kg
Rated Sensitivity C	$2 \pm 0,1 \%$	mV/V
Rated Input Voltage	10	V dc
Input Voltage Range	5...15	V ac/dc
Input Resistance R_{LC}	350 ± 5	Ω
Output Resistance	350 ± 4	Ω
Zero Balance	± 2	% E_{max}
Insulation Resistance at 50 V DC	> 5000	M Ω
Service Overload	> 150	% E_{max}
Overload Limit	> 300	% E_{max}
Temperature Range : Compensated	- 10 ... 40	$^{\circ}\text{C}$
: Operating	- 30 ... 85	$^{\circ}\text{C}$
: Storage	- 30 ... 90	$^{\circ}\text{C}$
Max. Nonlinearity	0,02	% E_{max}
Max. Hysteresis	0,02	% E_{max}
Max. No repeatability	0,01	% E_{max}
M Max. Creep in 4 hours	0,03	% E_{max}
Max. Zero Recovery Test in $\frac{1}{2}$ hour	0,011	% E_{max}
Max Temperature effect : On Sensitivity	0,0013	% $E_{max} / ^{\circ}\text{C}$
: On Zero	0,0014	% $E_{max} / ^{\circ}\text{C}$
Weight	800	g
Cable Length	5	m
Environmental Protection	IP68 - DIN 40050 (100h 1m)	