

### APPLICATION:

Weighbridges and silos

### CAPACITY RANGE:

20t - 30t - 40t

### MATERIAL:

Stainless Steel Housing.

### ENVIRONMENTAL PROTECTION:

IP68

### APPROVALS:

CE 3000 Div - E.04.02.C04

OIML - R60/2000-ES1-13.03

### CHARACTERISTICS

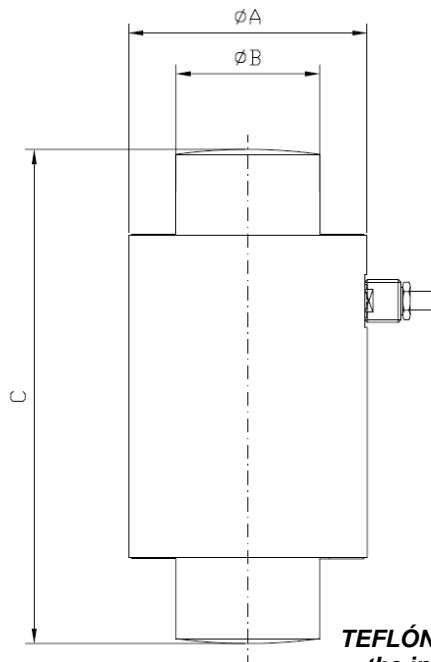
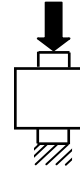
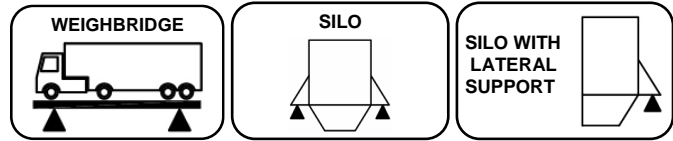
Construction using special steel.  
The laser soldered closing protects from the typical environment in food and chemical industry.  
Mounting compatibility.

### APPLICATIONS

The CCI-A model is manufactured to maintain its performance capabilities in the environmental conditions existing in food industries, where tasks and cleaning demand special steel and a good environmental protection.

### OPTIONS

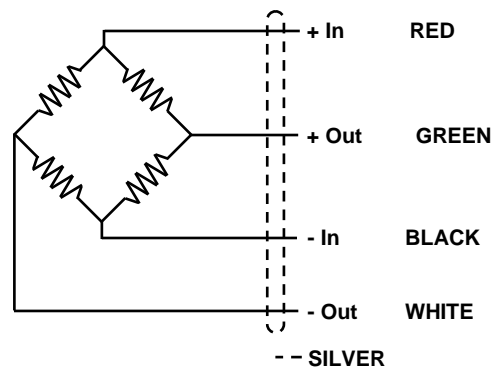
Consult for special requirements.



**TEFLÓN® protects all the internal cables**

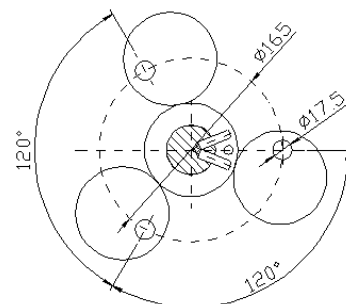
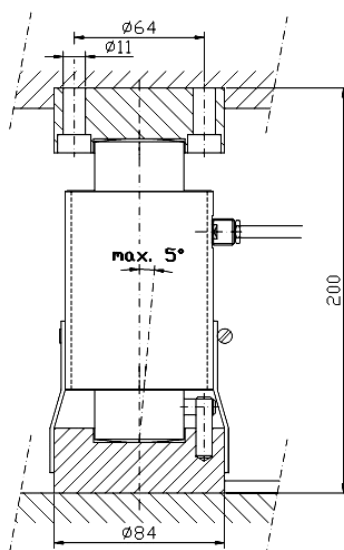
Capacity	A	B	C
20 - 40T	73	44	150

Dimensions in mm



## GENERAL TECHNICAL CHARACTERISTICS FOR $g = 9,8031 \text{ m/s}^2$

OIML Class	C3	UNITS
Divisions $n_{LC}$	3000	
Minimum Dead load $E_{min}$	0	kg
$Z = E_{max} / 2DR$	3000	
$Y = E_{max} / V_{min}$	10000	
Rated Capacity $E_{max}$	20000 - 30000 - 40000	kg
Rated Sensitivity C	$2 \pm 0,1 \%$	mV/V
Rated Input Voltage	10	V dc
Input Voltage Range	5...15	V ac/dc
Input Resistance $R_{LC}$	$700 \pm 10$	$\Omega$
Output Resistance	$700 \pm 10$	$\Omega$
Zero Balance	$\pm 2$	% $E_{max}$
Insulation Resistance at 50 V DC	> 5000	M $\Omega$
Service Overload	> 150	% $E_{max}$
Overload Limit	> 300	% $E_{max}$
Temperature Range : Compensated	- 10 ... 40	$^{\circ}\text{C}$
: Operating	- 30 ... 85	$^{\circ}\text{C}$
: Storage	- 30 ... 90	$^{\circ}\text{C}$
Max. Nonlinearity	0,015	% $E_{max}$
Max. Hysteresis	0,015	% $E_{max}$
Max. No repeatability	0,01	% $E_{max}$
M Max. Creep in 4 hours	0,02	% $E_{max}$
Max. Zero Recovery Test in $\frac{1}{2}$ hour	0,007	% $E_{max}$
Max Temperature effect : On Sensitivity	0,00097	% $E_{max} / ^{\circ}\text{C}$
: On Zero	0,00116	% $E_{max} / ^{\circ}\text{C}$
Weight	From 20t to 40t ~ 2100	g
Cable Length	15	m
Environmental Protection	IP68 - DIN 40050 (100h 1m)	



**ISO** 9001

Made in EUROPE

www.ascellsensor.com  
info@ascellsensor.com

Tel: (+34) 93 776 60 89  
Fax: (+34) 93 775 14 72

*These specifications are subjected to changes, due to continuous improvement of the design.*

ft\_en\_ccia\_010212