

- Non-contact, Hall-effect technology
- Wear free – unlimited mechanical life
- Simple mounting, low-profile design
- Measurement angle 20-360°
- 5V regulated supply
- Dual redundant outputs
- Analog output – 0.5-4.5V or 0.2-4.8V
- PWM output option
- Fail-safe outputs
- Sealing to IP69K
- Flying leads



The NRH305DR is a non-contact, Rotary Position Sensor that offers the optimal combination of performance, safety and cost. The sensor utilises proven Hall-effect, sensing technology in a low-profile (8mm) housing with separate magnet for true non-contact sensing.

The electrical output span can be set to correspond to rotations of 20° to 360°, and the positional information is determined by the angle of the supplied magnet relative to the sensor body. Outputs are ratiometric with respect to a regulated 5Vdc supply voltage.

The maximum air gap between magnet and sensor is 8mm, while concentric offsets of up to 2mm can be tolerated with minimal impact on output linearity. The magnet can be supplied in a convenient carrier, housed in a bolt, as a plug or loose.

To enhance system performance, the NRH305DR has a second, redundant output that can be used for error checking in safety-critical applications. The versatile, factory-programmable electronics can be easily set to one of two analog voltage output ranges or one of three PWM frequencies. In addition, the polarities of each of the analog outputs can be independently set. On-board diagnostic functions ensure the outputs are put into safe, pre-defined states should an internal sensor error be detected.

The sealed design offers exceptional levels of performance with respect to water and dust, shock, vibration and temperature, meaning the sensor is ideal for use in hostile, on- and off-highway vehicle environments.

Connection to the sensor is with simple flying leads for customer termination.



## CONTENTS

<b>Configuration &amp; Ordering Codes.....</b>	<b>3</b>
Measurement Angle .....	3
Output .....	3
Direction .....	4
Magnet .....	4
Cable .....	4
<b>Installation .....</b>	<b>5</b>
Mechanical .....	5
Sensor .....	5
Magnet .....	6
Electrical Connections.....	7
Flying Leads.....	7
<b>Specifications.....</b>	<b>8</b>
Electrical .....	8
Voltage Outputs .....	9
PWM Outputs .....	10
Mechanical .....	11
Environmental .....	11

© 2017 Curtiss-Wright. All rights reserved.

Curtiss-Wright accepts no responsibility for possible errors in catalogs, brochures and other printed material. Curtiss-Wright reserves the right to alter its products without prior notice. This also applies to products already ordered provided that such alterations can be made without affecting agreed specifications. All trademarks in this material are properties of their respective owners.



## CONFIGURATION & ORDERING CODES

NRH305DR-XXX-XX-X-X-XX

Type	Measurement Angle	Output	Direction	Magnet	Cable
NRH305DR	XXX	XX	X	X	XX
	XXX	A1	3	O	P5
		A5	4	B	
		P1	5	P	
		P2	6	M	
		P3			

### MEASUREMENT ANGLE

NRH305DR-XXX-XX-X-X-XX

---

Code	Description
XXX	20-360° in 1° increments

---

### OUTPUT

NRH305DR-XXX-XX-X-X-XX

---

Code	Description
A1	Analog voltage: 10-90% of 5V supply
A5	Analog voltage: 4-96% of 5V supply
P1	PWM: 244Hz
P2	PWM: 500Hz
P3	PWM: 1kHz

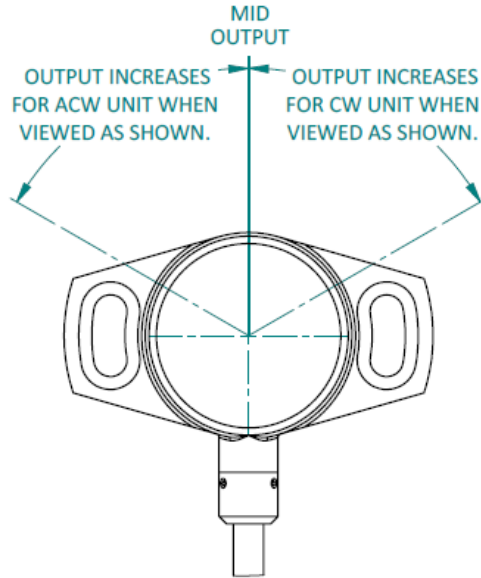
---



**DIRECTION**

NRH305DR-XXX-XX-X-X-XX

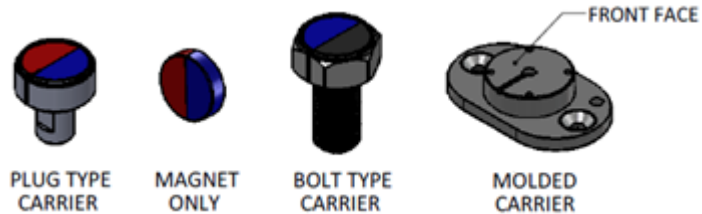
Code	Description
3	Both clockwise
4	Both anti-clockwise
5	Output 1 clockwise, Output 2 anti-clockwise
6	Output 1 anti-clockwise, Output 2 clockwise



**MAGNET**

NRH305DR-XXX-XX-X-X-XX

Code	Description
O	Molded carrier
B	Bolt-type carrier
P	Plug-type carrier
M	Magnet only



**CABLE**

NRH305DR-XXX-XX-X-X-XX

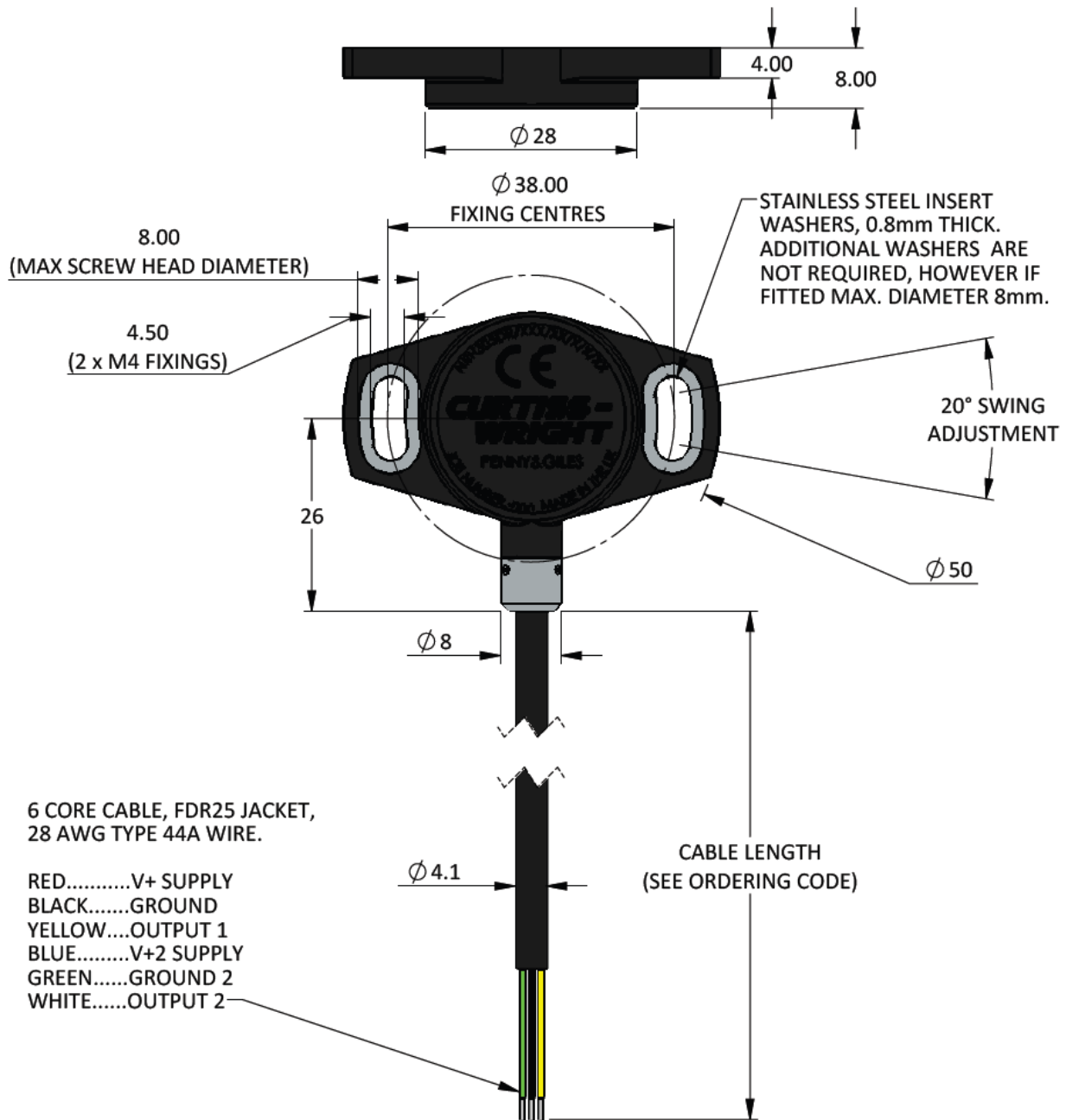
Code	Description
P5	0.5m length, 28AWG flying leads



## INSTALLATION

### MECHANICAL

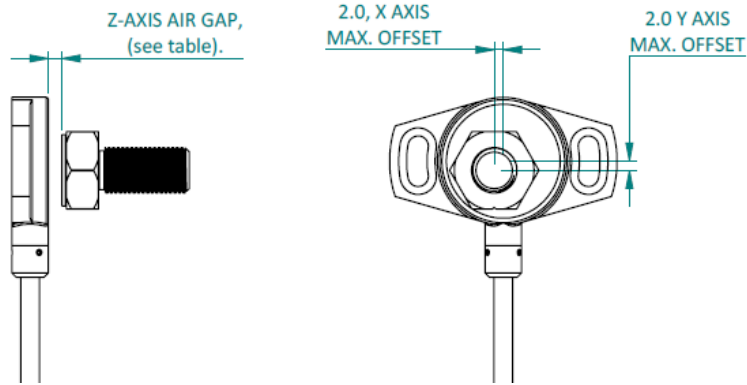
#### Sensor



Dimensions in mm



**Magnet**

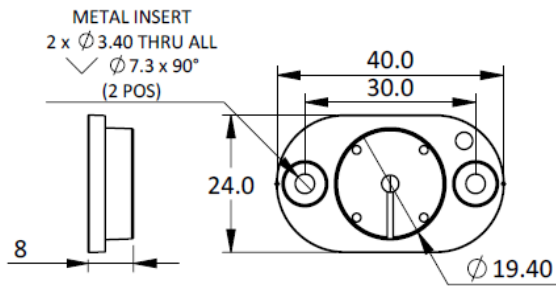


Magnet Type	Air Gap
MOLDED CARRIER	1.5-6.5mm from front face of carrier
BOLT & PLUG TYPE	2-7mm
MAGNET ONLY	3-8mm

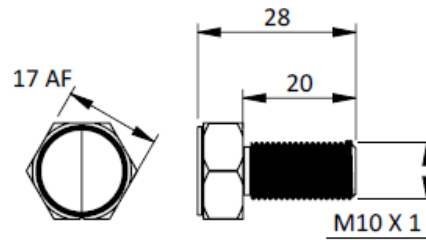
**NOTE**

All stated specifications are based on a nominal air gap of 3.5mm. Per the table above, other air gaps are possible but some specifications may vary. Please consult Curtiss-Wright for further details.  
 This product includes diagnostic features that will put the sensor into a safe operating mode if the unit is operated when the magnet is absent or outside of the recommended air gap (the output will default to <0.1Vdc or a 0% PWM duty cycle). For applications requiring air gaps other than specified please consult Curtiss-Wright for further details.

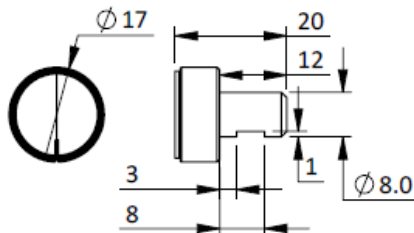
**Molded Carrier**



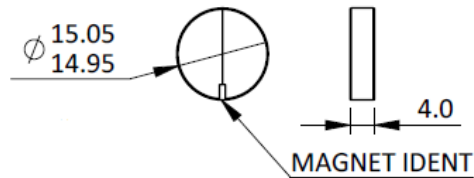
**Bolt Type**



**Plug Type**



**Magnet Only**





## ELECTRICAL CONNECTIONS

### Flying Leads

---

<b>Color</b>	<b>Function</b>
RED	Vsupply 1
BLACK	GND (0V) 1
YELLOW	Output 1
BLUE	Vsupply 2
GREEN	GND (0V) 2
WHITE	Output 2

---

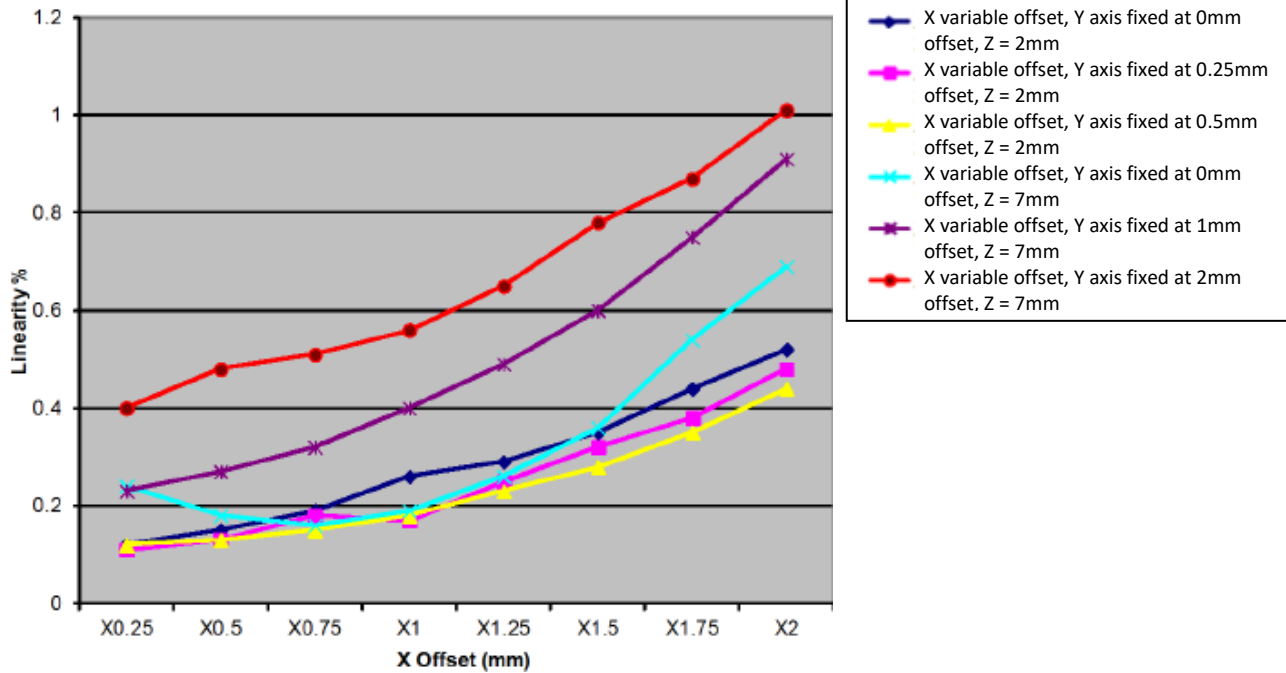


## SPECIFICATIONS

### ELECTRICAL

MEASUREMENT RANGE	20-360° in 1° increments
SUPPLY VOLTAGE	5Vdc ±0.5Vdc
SUPPLY CURRENT	<25mA
SUPPLY REVERSE POLARITY PROTECTION	Yes
SHORT-CIRCUIT PROTECTION TO GND	Yes
SHORT-CIRCUIT PROTECTION TO SUPPLY	Yes
OVER-VOLTAGE PROTECTION	Up to 10Vdc
POWER-ON SETTLEMENT	<1s
RESOLUTION	12-bit (0.025% of measurement range)
LINEARITY (ABSOLUTE)	<±0.4%

Linearity versus magnetic misalignment



TEMPERATURE COEFFICIENT	< ±30ppm /°C
-------------------------	--------------





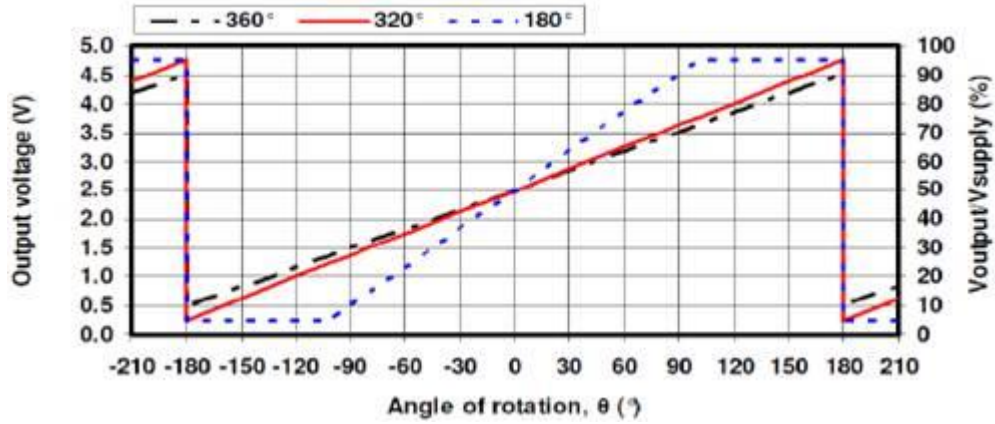
### VOLTAGE OUTPUTS

---

OUTPUT RANGE A1	10-90% $\pm 1\%$ of $V_{supply}$ over measurement range
MONOTONIC RANGE	5% to 95% nominal
OUTPUT RANGE A5	4-96% $\pm 1\%$ of $V_{supply}$ over measurement range
MONOTONIC RANGE	1% to 99% nominal

---

Voltage output law examples



---

LOAD RESISTANCE	10k $\Omega$ min. (resistive to GND)
OUTPUT NOISE	<1mV rms
INPUT/OUTPUT DELAY	<2ms

---

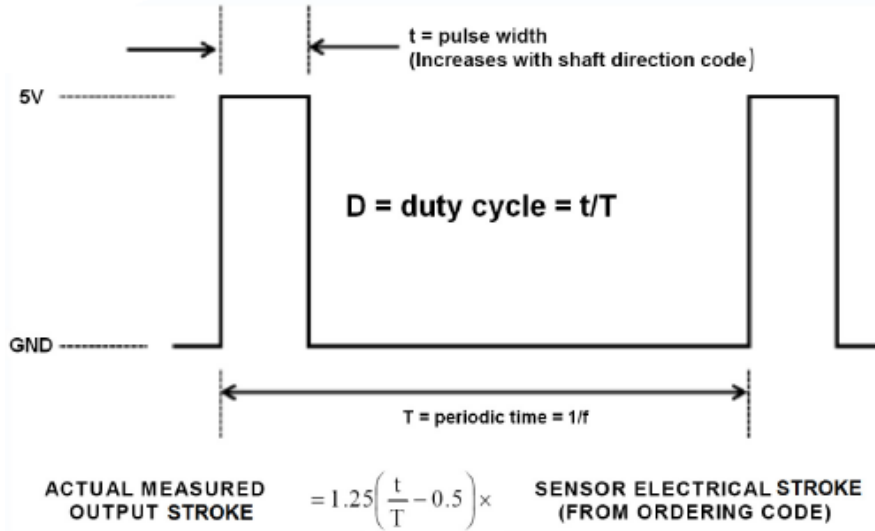


**PWM OUTPUTS**

---

PWM FREQUENCY	244Hz, 500Hz or 1kHz ±20%
PWM LEVELS	0V and Vsupply ±1%
DUTY CYCLE	10-90% over measurement range
MONOTONIC RANGE	5-95% nominal
LOAD RESISTANCE	10kΩ min. (resistive to GND)
RISE/FALL TIME	<15µs typical

---





**MECHANICAL**

---

MECHANICAL ANGLE	360° continuous
MAXIMUM OPERATING SPEED	3600°/s
WEIGHT	<45g
MOUNTING	2x M4 screws, recommended tightening torque 2.0Nm
Cable	6-core cable, DR-25 jacket, 28 AWG Spec 44A wires Minimum bend radius is 5x the cable OD for static applications (20.5mm) and 10x the cable OD for dynamic applications (41mm).

---

**ENVIRONMENTAL**

---

OPERATING TEMPERATURE RANGE	-40°C to 120°C
STORAGE TEMPERATURE RANGE	-40°C to 120°C
SEALING	IP68, IP69K
VIBRATION	BS EN 60068-2-64:2008 section 8.4 (31.4gn rms) 20-2000Hz random
SHOCK	2500g
MTTFd	> 400 years
ELECTROMAGNETIC INTERFERENCE	EN 61000-4-3 to 100V/m 80-1000MHz & 1.4-2.7GHz
SALT SPRAY	BS EN 60068-2-52 test Kb severity 2

---

**IMPORTANT INFORMATION**

Whilst Curtiss-Wright Industrial Group - Penny & Giles has designed this sensor to meet a range of applications it is the responsibility of the customer to ensure it meets their specific requirement.

Penny & Giles Controls Ltd makes no warranty or representation in respect of product fitness or suitability for any particular design application, environment, or otherwise, except as may subsequently be agreed in contract for the sale and purchase of products. Customers should therefore satisfy themselves of the actual performance requirements and subsequently the product's suitability for any particular design application and the environment in which the product is to be used.

Continual research and development may require change to products and specification without prior notification.

All trademarks acknowledged.