

SRH501P AND SRH502P

AVAILABILITY

All standard configurations can be supplied rapidly from the factory – check with your local supplier for more details

ORDERING CODES

NOTE: When selecting output option A3 (4-20mA), cable codes Sxx are the only cable codes allowable.

SINGLE OUTPUT SRH501P

			SRH501P/...../...../...../.....
Measurement range	- angle in °		
Output	A1 – Analog 0.5-4.5Vdc A2 – Analog 0-10Vdc A3 – Analog 4-20mA A4 – Analog 0.1-4.9Vdc		
	P1 – PWM, 244 Hz P2 – PWM, 500 Hz P3 – PWM, 1000 Hz		
Direction	1 – Clockwise 2 – Anticlockwise		
Cable code	A00 – No cable, gland fitting S00 – No cable, screened cable gland (A3 output option – see note)		
	B01 – 1m 3-core unshielded cable, IP69K B05 – 5m 3-core unshielded cable, IP69K B10 – 10m 3-core unshielded cable, IP69K		
	S01 – 1m 3-core screened cable, IP69K (A3 output options – see note) S05 – 5m 3-core screened cable, IP69K S10 – 10m 3-core screened cable, IP69K		
	C01 – M12 screw locking receptacle		

DUAL OUTPUT SRH502P

			SRH502P/...../...../...../.....
Measurement range	CH1 – angle in °		
Measurement range	CH2 – angle in °		
Output	A1 – Analog 0.5-4.5Vdc A2 – Analog 0-10Vdc A3 – Analog 4-20mA A4 – Analog 0.1-4.9Vdc		
	P1 – PWM, 244 Hz P2 – PWM, 500 Hz P3 – PWM, 1000 Hz		
Direction	3 – Both clockwise 4 – Both anticlockwise 5 – CH1 CW; CH2 ACW		
Cable code	A00 – No cable, gland fitting S00 – No cable, screened cable gland (A3 output option – see note)		
	B01 – 1m 4-core unshielded cable, IP69K B05 – 5m 4-core unshielded cable, IP69K B10 – 10m 4-core unshielded cable, IP69K		
	S01 – 1m 4-core screened cable, IP69K (A3 output options – see note) S05 – 5m 4-core screened cable, IP69K S10 – 10m 4-core screened cable, IP69K		
	C01 – M12 screw locking receptacle		

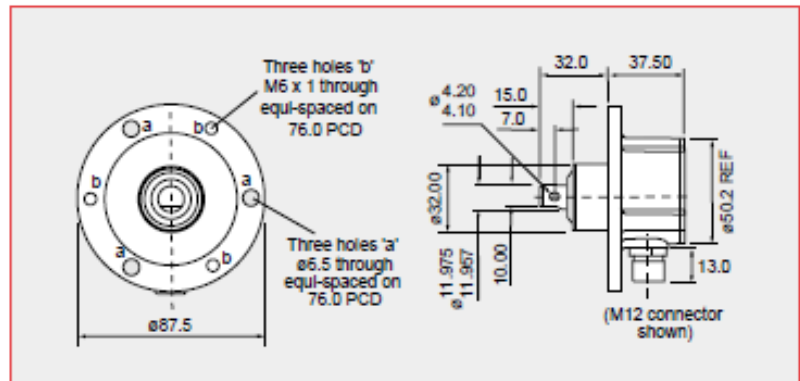
Accessories (order separately)

Drive lever kit – SA202195/MK - see page 25

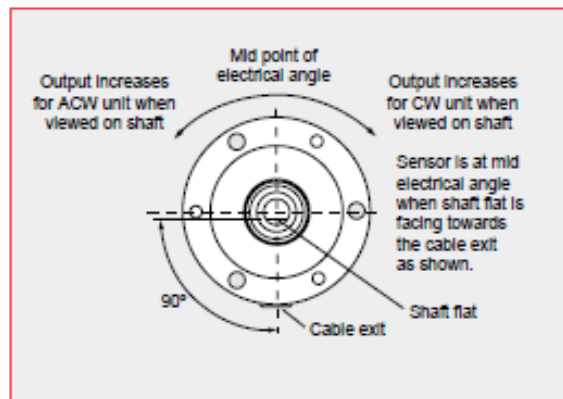
Mating connectors - see details on page 26

DIMENSIONS

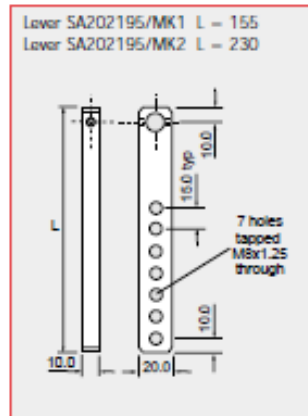
Note: drawings not to scale



PHASING OF SHAFT TO HOUSING



LEVER OPTIONS (order separately)



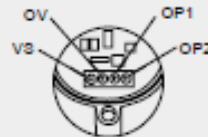
SRH501P AND SRH502P

ELECTRICAL CONNECTIONS

- Option A00** – No cable supplied
- Option S00** – No cable supplied (Fitted gland to suit screened cable)
- Option Bxx** – Cable supplied (1m, 5m or 10m)
- Option Sxx** – Screened cable supplied (1m, 5m or 10m)
- Option C01** – Series M12 screw locking receptacle to IEC 61076-2-101 (Ed.1) /IEC 60947-5-2 fitted to sensor body. Mating cabled sockets to be ordered separately.

CONNECTING CABLE OPTIONS

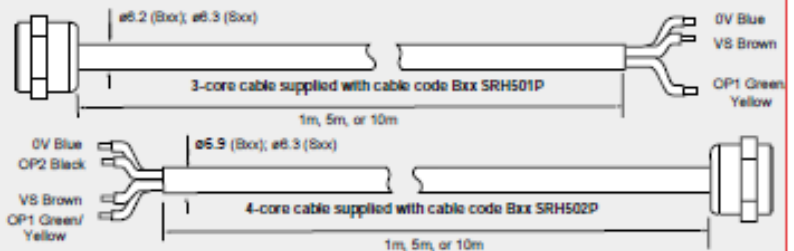
Connection details for no cable option A00 S00



Cable gland for cable between $\phi 4$ -8mm

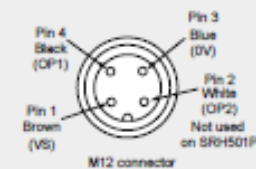
Connection capacity - AWG 26-16 or 0.14-1.5mm²

Connection details for cable option Bxx and Sxx



Note: Sxx option includes a cable screen required for output option A3

Connection details for option C01 - M12 connector (not available for output A3)



Pin No.	Cable colour	Description
1	Brown	+V Supply
2	White	Output 2 (not used on SRH501P)
3	Blue	OV Supply (GND)
4	Black	Output 1

Output increases with CW or ACW rotation viewed on shaft - depending on selected order code

M12 mating connectors for cable option C01 (order separately)

Connector IP68
 2 metre XG1-220-101
 5 metre XG1-220-102
 10 metre XG1-220-103



Steel connector IP69K
 1.5 metre XG1-222-001
 5 metre XG1-222-003
 10 metre XG1-222-005

When connecting the sensor, care should be taken with the correct connections.

The sensor is provided with indefinite reverse polarity protection and short circuit protection between output to GND, **but if the outputs are connected to the supply this will result in device failure.**