

ETP-BC-M6-100-PT1000A ETP-BC-1/8NPT-100-PT1000A

- Ideal for measuring air flow
- Robust and compact design
- For harsh environments
- Wide environmental temperature range



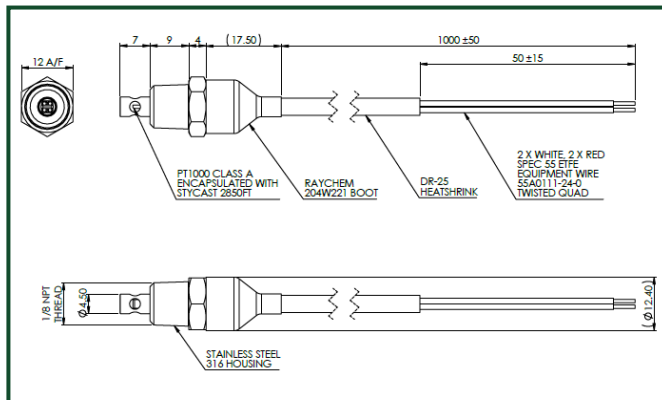
The **ETP-BC-M6-100-PT1000A** and the **ETP-BC-1/8NPT-100-PT1000A** have been specifically designed for demanding temperature measurement tasks as can be found in motor vehicles. The probes are designed to withstand shock and vibration due to a robust overall construction. The selected materials are oil and fuel resistant for use in typical mobile applications whilst supporting a wide environmental temperature range. The probe design allows air/gas to pass the exposed PT1000A temperature sensing element directly and thus providing accurate and fast response time whilst mechanically protecting the sensing element.

Technical information

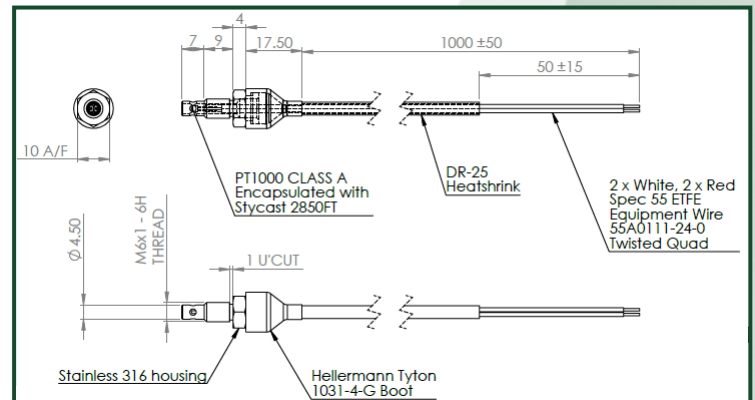
Element:	PT1000A other elements on request
Accuracy:	$\pm (0.15 K + 0.002 \times t)$
Working temperature:	-40° C to +150° C
Environmental temperature:	-40° C to +150° C

Recommend applied current (self heating must be considered)	0.3 mA at 1000 Ω
Housing:	316 stainless steel
Cable:	2x white, 2 x Red, twisted quad
Heat shrink:	sleeved DR-25

Dimensions in mm



NPT



M6

Ordering Information

Order code: **94802-ETP-BC-M6-100-PT1000A**

94845-ETP-BC-1/8NPT-100-PT1000A