

HS-130F Accelerometer

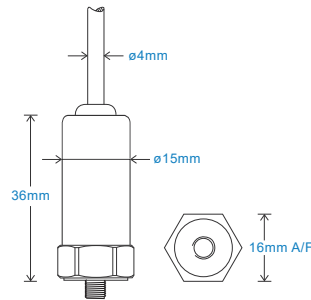
AC acceleration output via Flame Retardant Cable

Key Features

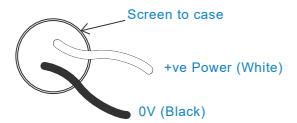
- For use with data collector
- Compact design
- High Frequency range

Industries

Building services, Pulp and Paper, Mining, Metals, Utilities, Automotive, Water, Pharmaceutical



Connection Details



Technical Performance

Mounted Base Resonance	see 'How To Order' table (nominal)
Sensitivity	see: 'How To Order' table $\pm 10\%$ Nominal 80Hz at 22°C
Frequency Response	2Hz (120cpm) to 14kHz (840kcpm) $\pm 5\%$ 1.5Hz (90cpm) to 20kHz (960kcpm) $\pm 10\%$ 0.8Hz (48cpm) to 28kHz (1,140kcpm) $\pm 3dB$
Isolation	Base isolated
Range	see: 'How To Order' table
Transverse Sensitivity	Less than 5%

Mechanical

Case Material	Stainless Steel
Sensing Element/Construction	PZT/Compression
Mounting Torque	8Nm
Weight	30gms (nominal) body only
Maximum Cable Length	300 metres
Standard Cable Length	5 metres
Screened Cable	Flame Retardant - length to be specified with order
Mounting Threads	see: 'How To Order' table

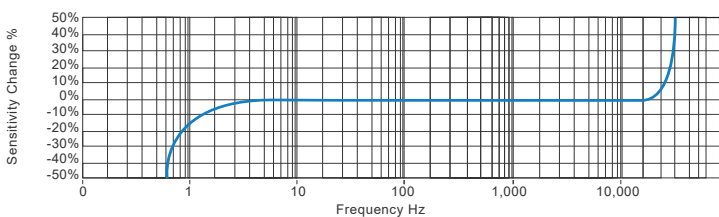
Electrical

Electrical Noise	0.1mg max
Current Range	0.5mA to 8mA
Bias Voltage	10 - 12 Volts DC
Settling Time	2 seconds
Output Impedance	200 Ohms max.
Case Isolation	$>10^8$ Ohms at 500 Volts

Environmental

Operating Temperature Range	-40 to 100°C
Sealing	IP65
Maximum Shock	5000g
EMC	EN61326-1:2013

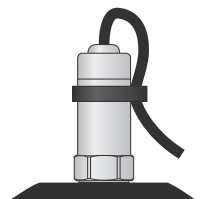
Typical Frequency Response (at 100mV/g)



Applications

Fans, Motors, Pumps, Compressors, Centrifuges, Conveyors, Air Handlers, Gearboxes, Rolls, Dryers, Presses, Cooling, VAC, Spindles, Machine Tooling, Process Equipment

Vibration sensor should be firmly fixed to a flat surface (spot face surface may be needed to be produced and cable anchored to sensor body.)



How To Order

Product Prefix HS - Hansford Sensors	Product Series 130 - Industrial Vibration Sensor	Cable Length (if integral cable) QXX - length specified in metres												
H	S	1	3	0	F	X	X	X	X	X	X	X	X	X
Extra Options (if required) F - Filter		Sensitivity 010 - 10mV/g 100 - 100mV/g	Range $\pm 800g$ $\pm 80g$	Resonant Frequency 30kHz (1,680kcpm) 28kHz (1,320cpm)		Cable/Connector 08 - Flame Retardant			Mounting Threads 06 - M6 x 1mm Male					



www.hansfordsensors.com
sales@hansfordsensors.com

We reserve the right to alter the specification of this product without prior notice
TS1050

