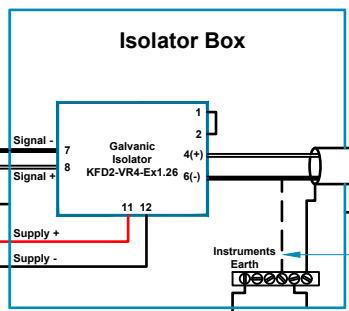


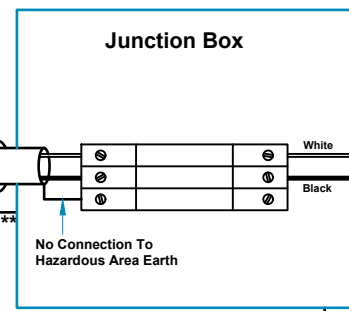
Non-hazardous area apparatus which is unspecified except that it must not be supplied from nor contain under normal or abnormal conditions, a source of potential with respect to earth in excess of 250 volts DC. under normal conditions the potential at the connections to the galvanic isolator must not exceed 40 volts DC.

Non-Hazardous Area



Connection Optional

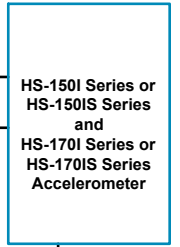
Hazardous Area
CI I, II, III, Div 1, 2 Gr A-G
CI 1 Zone 0, CI Zone 20



**Outer shield only connected to chassis via Ex approved cable gland

*Outer shield & inner screen connected to chassis via Ex approved cable gland

See Note 1



Certificate details: Group II and III Integral Cable
SGSNA/19/BAS/00005
CI I, II, III, Div 1, 2 Gr A-G T*
CI I Zn 0 AEx ia IIC T6...T4 Ga
CI II Zn 20 AEx ia IIIC T*...T* Da
CI II Zn 20 AEx ia IIIB T*...T* Da
Ex ia IIC T6...T4 Ga
Ex ia IIIC T110°C...T145 Da

Terminal Parameters 92m of cable
Ui = 28V, li = 93mA, Pi = 0.65W
Ci = 35.9nF
Li = 66µH

Certificate details: Group II and III Connector
SGSNA/19/BAS/00005
CI I, II, III, Div 1, 2 Gr A-G T*
CI I Zn 0 AEx ia IIC T6...T4 Ga
CI II Zn 20 AEx ia IIIC T135°C Da
Ex ia IIC T6...T4 Ga
Ex ia IIIC T135°C Da

Isolators/Zenner Barriers
Ui ≥ Uo
li ≥ lo
Pi ≥ Po
Co ≥ Ci + Ccable
Lo ≥ Li + Lcable

SGSNA/19/BAS/00005
CI I, II, III, Div 1, 2 Gr A-D G and F T*
CI I Zn 0 AEx ia IIC T6...T4 Ga
CI II Zn 20 AEx ia IIIB T110°C...T145°C Da
Ex ia IIC T6...T4 Ga
Ex ia IIIB T110°C...T145°C Da

Certified Temperature Range
Ex ia IIC T6 Ga (-55°C ≤ Ta ≤ +57°C) (Gas)
Ex ia IIC T4 Ga (-55°C ≤ Ta ≤ +103°C) (Gas)
Ex ia IIIB T110°C Da (-55°C ≤ Ta ≤ +57°C) (Dust Connector Only)
Ex ia IIIC T110°C Da (-55°C ≤ Ta ≤ +57°C) (Dust Integral Cable Only)
Ex ia IIIC T135°C Da (-55°C ≤ Ta ≤ +70°C) (Dust Connector and Integral cable)
Ex ia IIIB T145°C Da (-55°C ≤ Ta ≤ +92°C) (Dust Connector Only)
Ex ia IIIC T145°C Da (-55°C ≤ Ta ≤ +92°C) (Dust Integral Cable Only)

Terminal Parameters Connector
Ui = 28V, li = 93mA, Pi = 0.65W
Ci = 1.2nF
Li = 0

500V Isolation Units Will Pass A 500V Isolation Test

Terminal Parameters 10m of cable
Ui = 28V, li = 93mA, Pi = 0.65W
Ci = 5.0nF
Li = 7.2µH

Special conditions of use: When a sensor is supplied with integral cable, this must be terminated in an enclosure providing at least degree of protection IP20.

Note: If the equipment is to be used in unusual environments or aggressive substances are likely to be encountered, contact the manufacturer to discuss suitability.

Hansford Sensors Ltd
HS-150I, HS-150IS, HS-170I and HS-170IS Series Accelerometer System

Notes:
1. The cable from the accelerometer to the junction box must not be installed in a high velocity dust laden atmosphere
2. The installer is to perform a risk assesment in accordance with clause 10 of EN 60079-25 and install lightning protection arrestors as deemed necessary.

Rev No	DRF No	Date Drg	Drg By	Appd By	Material: N/A
A	Release	15/03/19	MJS	CMH	
					Tolerances Unless Stated
					0 or 0.0 ±0.5
					0.00 ±0.15
					Angle ±5°
					1.6/√ Finish All Over
					Threads g6 H6

Hansford Sensors
Excellence in Vibration Monitoring
Hansford Sensors Ltd
Artisan, Hillbottom Road
Sands Industrial Estate
High Wycombe
Bucks HP12 4HJ

Do Not Scale
All Dimensions In mm Unless Otherwise Stated
If In Doubt - Ask!

Description: System Connections For HS-150I, HS-150IS and HS-170I, HS-170IS Group II Accelerometers With Armoured Cable F.U.W. Galvanic Isolation
Drawing No: M06-083-A
Scale: NTS
Sheet: 1 of 2
Form Number: QF024 Issue 3