

## COACH-II

## DATA RECORDING AND MANAGEMENT FOR EOT CRANES

The COACH-II is a data recording system specially dedicated to crane monitoring.



COACH-IP65-II



### Features

- o The COACH-II is a new generation of electronic data logging, monitoring and management system for overhead travelling cranes (EOT), adaptable to other types of crane.
- o It is designed to optimise the maintenance with full knowledge of mechanical stress during use.
- o It can be used as a “black box” tracing the history of all recent movements.

### Application(s)

SENSY's COACH-II is perfectly designed for the following application:

- Survey and monitoring of overhead travelling cranes (EOT).

### Function(s)

- Hourly recording on a duration of 25 years of:
  - upward (ascent), downward (descent), long travel (translatory) and short travel (trolley direction)
  - number of inchings
  - lifted load's spectrum and overloads
- Recording of sequences of recent movements (6 months)
- SWP (Safe Working Period) calculation
- Display on front colour touch screen (lifted load, movements, SWP, alarms, temperatures, etc.)
- Alarm detection and management (overloads, SWP, etc.) with activation of a relay
- Detection of wire break in the analogue input
- Protection against overvoltage and reverse polarity at the analogue input
- Coach-II programming and data retrieval via the USB stick or via Ethernet (option)
- Centralization of EOT cranes utilization data on a server accessible from any browser (GPRS option)
- COACH-II is supplied with COACH-VIEW software (configuration and analysis of the data by means of graphs and tables)

Specifications	COACH-IP54-II	COACH-IP65-II	
Analog input	1 x 0...10 V / 4...20 mA	1 x 0...10 V / 4...20 mA	-
Digital input	4 **	4 **	-
Display	Touchscreen 5.7" colour	Touchscreen 5.7" colour	-
Accuracy	0.1	0.1	% F.S.*
Output signal	0...10 V / 4...20 mA (SWP)	0...10 V / 4...20 mA (SWP)	-
Internal memory	128 Mo***	128 Mo***	-
Service temperature range	0...+50	0...+50	°C
Storage temperature range	-20...+70	-20...+70	°C
Power supply	24 VDC	24 VDC / 100..240 VAC ****	-
Qty of relay	2	2	-
Contact rating	5 A @ 240 VAC / 28 VDC	5 A @ 240 VAC / 28 VDC	-
IP rating	IP54	IP65	-

\*F.S. : Full Scale

\*\* : potential free contact

\*\*\* : compact flash

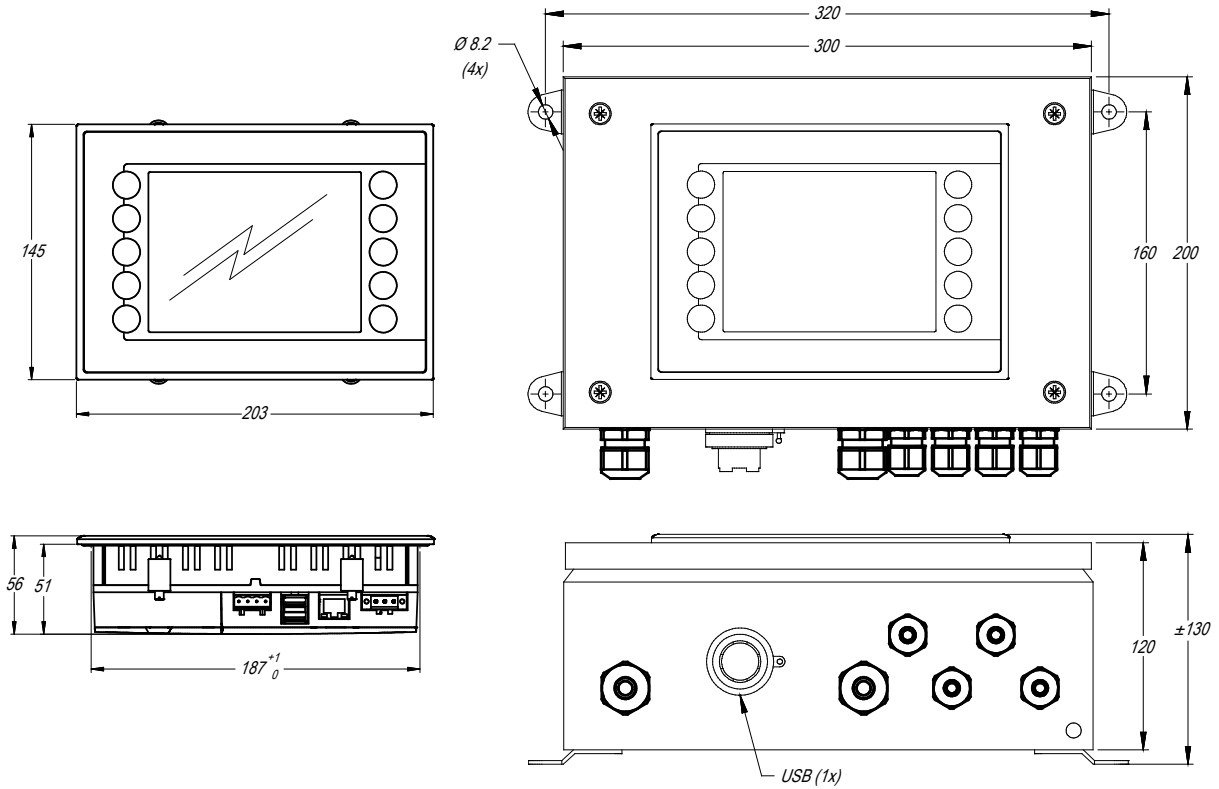
\*\*\*\* : 48 VAC (option)

Specifications subject to change without notice.

COACH-II > STANDARD DIMENSIONS

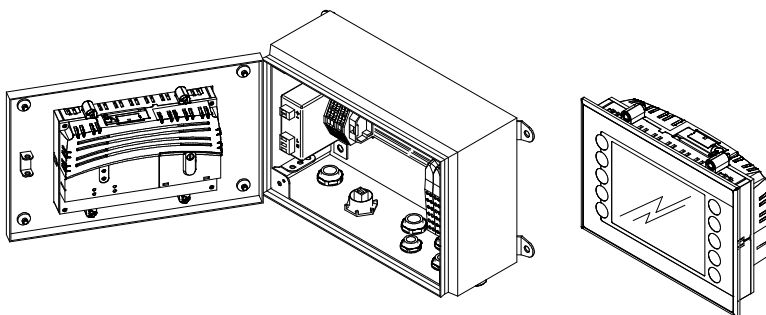
COACH-II-IP54

COACH-II-IP65

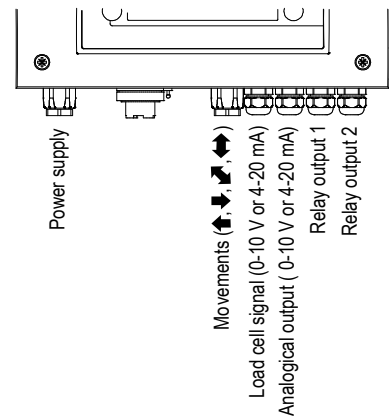


Dimensions in mm

Other views



Terminals

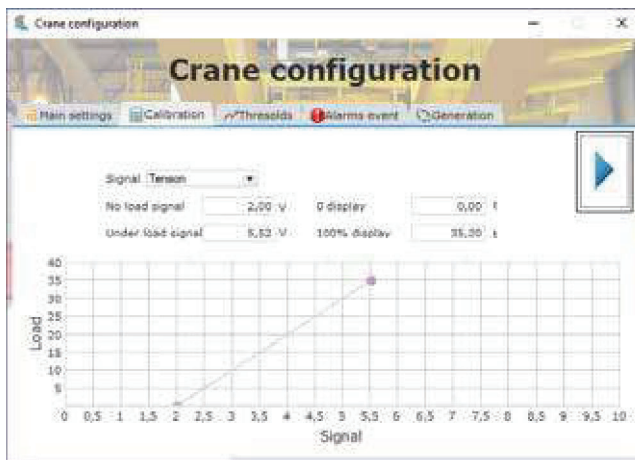


The COACHVIEW software is delivered with the COACH-II (data logger dedicated to hoisting equipment).

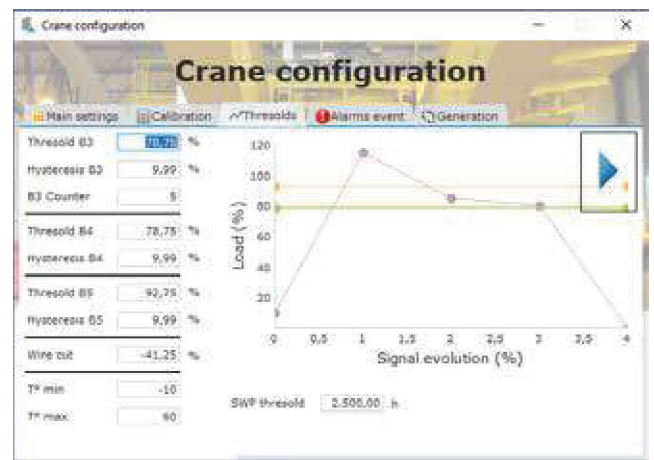
This very-user-friendly program allows for optimisation of the servicing schedule, the detection of downtimes and calculation of the FEM classification of the crane.

## The main functions of COACHVIEW are:

- Creation and management of configuration files for COACH-II (capacity, set-point, alarms, SWP),
- Analysis of the recordings performed by COACH-II,
- Generation of charts and tables.



**Usage spectrum**



**Movement repartition**

