

Thread Choice

MOUNTING THREADS

| Thread Code | Thread Size | Outside Dia A | Spanner A/F | Torque ±10% | Thread Code | Thread Size | Outside Dia | Spanner A/F | Torque ±10% |
|-------------|---------------|---------------|-------------|-------------|-------------|----------------|-------------|-------------|-------------|
| A | M22 x 1.5 | 26.0 | 22.0 | 50 Nm | N | M42 x 2.0 | 67.0 | 60.0 | 100 Nm |
| B | M24 x 2.0 | 26.0 | 22.0 | 50 Nm | P | 1 1/2" BSPP | 67.0 | 60.0 | 100 Nm |
| C | 3/4" x 16 UNF | 26.0 | 22.0 | 50 Nm | Q | 1" BSPP | 67.0 | 60.0 | 100 Nm |
| D | 1/2" BSPP | 26.0 | 22.0 | 50 Nm | R | 1 1/8" 12 UNF | 67.0 | 60.0 | 100 Nm |
| E | M20 x 1.5 | 26.0 | 22.0 | 50 Nm | S | 1 5/16" 12 UNF | 67.0 | 60.0 | 100 Nm |
| F | M25 x 1.5 | 32.0 | 22.0 | 50 Nm | | | | | |
| G | M26 x 1.5 | 32.0 | 22.0 | 50 Nm | | | | | |
| H | M27 x 2.0 | 32.0 | 22.0 | 50 Nm | | | | | |
| J | M30 x 1.5 | 32.0 | 22.0 | 50 Nm | | | | | |
| K | 3/4" BSPP | 32.0 | 22.0 | 50 Nm | | | | | |
| L | 1" 14 UNF | 32.0 | 22.0 | 50 Nm | | | | | |



Cable Coiling

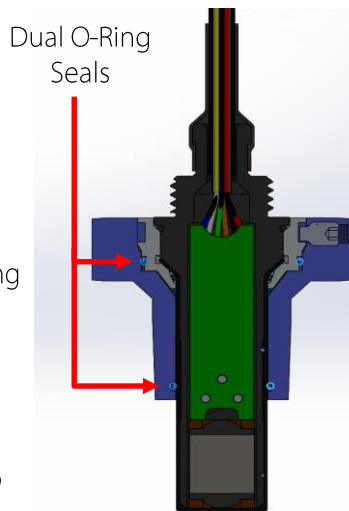
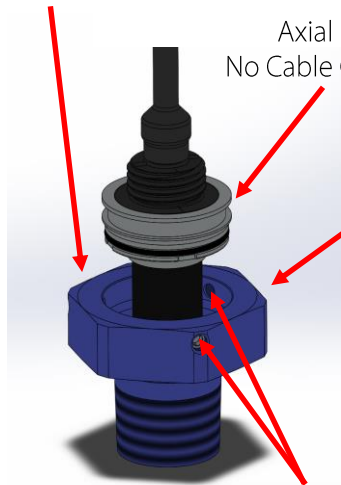
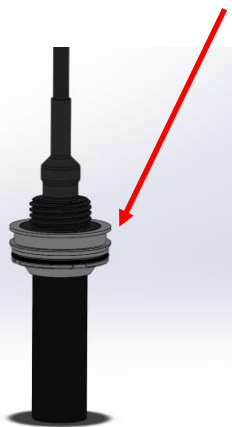


Making The Product Even Easier To Sell

Previous Issues With The Product

- 16 existing thread types.
- Thread must be known at point of order as is fixed to the sensor probe at the factory.
- Customers often cannot identify the thread required until oil is out of the machine and they can look at the drain port plug or port thread.
- Need to have the right thread on-hand when the oil is out of the machine to fit the sensor. That's a lot of stock!!
- No NPT threads for North American market.
- Fixed cable a problem when screwing in the sensor probe. Cable coiling.

The Solution – ‘Vanilla’ Probe / Separate Threads



Axial Fit
No Cable Coiling

New NPT Options
1/2, 3/4, 1, 1.25, 1.5 & 2"

Dual O-Ring
Seals

Three Ports For Fixing
Grub Screws
(Only 1 Needed)

Account For 85%
Of Sales

Six Sensor Part Numbers

| | | |
|---------------------|---------|-------------|
| With LED Display | 4-20mA | 4212-PK-145 |
| With LED Display | 0-10V | 4212-PK-146 |
| With LED Display | CAN Bus | 4212-PK-147 |
| Without LED Display | 4-20mA | 4212-PK-148 |
| Without LED Display | 0-10V | 4212-PK-149 |
| Without LED Display | CAN Bus | 4212-PK-150 |

Making The Product Even Easier To Sell

Q1 - 2021

- Reduces number of sensors to stock to 6. Normally 3 if following the 85% rule!
- Axial fit = No cable coiling.
- 6 x new NPT threads.
- Fully vibration & pressure tested.
- Now stainless steel rather than aluminum to increase durability.
- A new “thread kit” containing our 10 most popular variants available to buy so you can loan to customers during a first install.
- For a customer who doesn’t know the thread type, if they buy a sensor and borrow a thread kit, they will be able to install during a regular oil change.