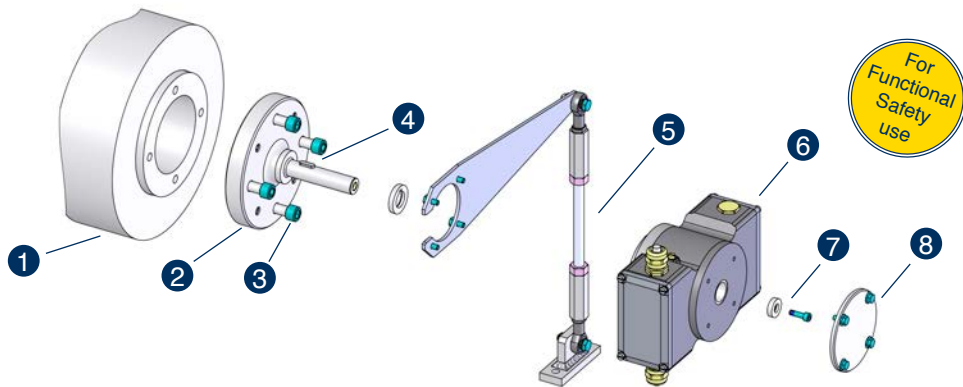


„A chain is only as strong as its weakest link.“

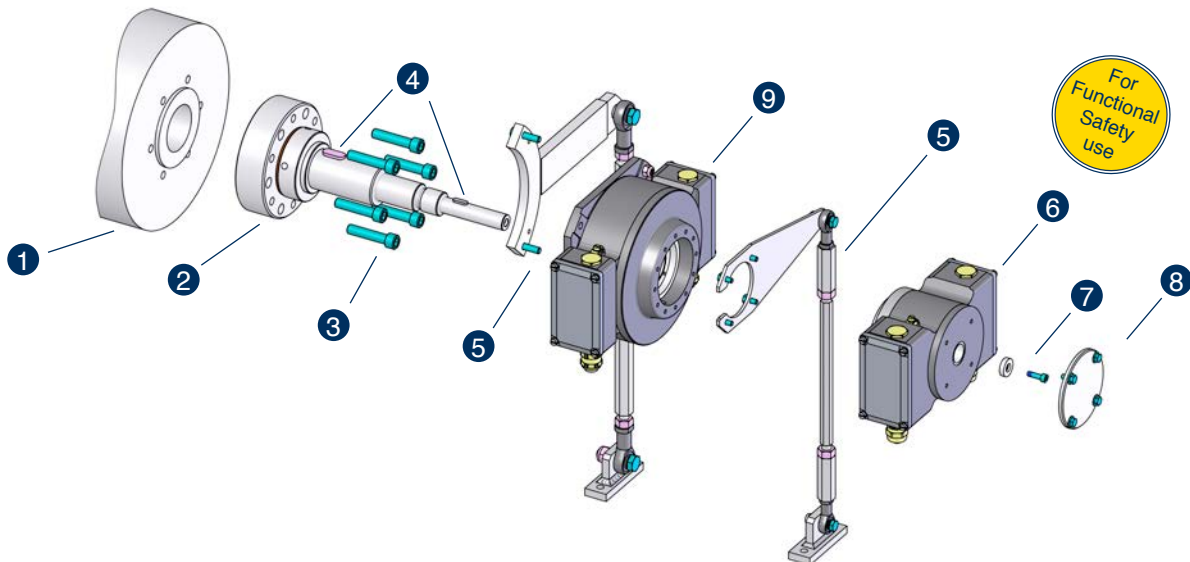
Reliable system solution: Safety encoder (SIL/PL) with fault exclusion assembly

What is the use of a safety-certified encoder if the mechanical connection with the shaft of the application has not been sufficiently dimensioned to ensure reliable transmission of the encoder signals? With immediate effect Johannes Hübner Giessen offers reliable system solutions consisting of safety encoders with SIL/PL certification as well as mechanically reliable assembly incorporating fault exclusion. That in turn simplifies risk assessment and acceptance on the part of the customer. The safety requirements are calculated for each individual system solution and customized to fulfil the demands of the customer's application. If desired, the specialists from Gießen can also carry out mechanical and instrumental measurements as well as on-site installation.

Example 1: A series 41 safety encoder including fitting directly onto the shaft of the application



Example 2: A series 41 safety encoder in combination with a standard encoder (e. g. series 6/60)



- | | |
|--|--|
| 1 Application shaft (customer interface) | 6 Series 41 safety encoder (SIL/PL certified) |
| 2 Flange adapter shaft (calculated safety) | 7 Axial tensioning disc and bolt (calculated safety) |
| 3 Fastening bolts (calculated safety) | 8 Cover plate (guarantees degree of protection) |
| 4 Feather key (keyed joint) | 9 Standard encoder (e. g. series 6/60) |
| 5 Torque bracket (calculated safety) | |

Customized encoder assembly - simple and reliable!

