

## COND-SGA

# CONDITIONERS - AMPLIFIERS FOR STRAIN-GAUGE-BASED TRANSDUCERS

The COND-SGA conditioners - amplifiers provide standardised signals in current and voltage from every load cell, force transducer and torque sensor based on strain-gauge technology.



COND-SGA



### Features

- o Input: Wheatstone bridge 0.1 to 30 mV/V
- o Output: 4(0)...20 mA, -10...0...+10 V
- o Power supply:
  - COND-SGA-A: 115...230 VAC / 18...24 VDC
  - COND-SGA-D: 18...24 VDC
- o Low-cost
- o Enclosure: ABS case 164 x 84 x 57 mm

### Application(s)

SENSY's COND-SGA are perfectly designed for the following applications:

- Industrial weighing,
- Industrial force and torque measurement.

### Function(s)

- Zero point and full scale by internal dip-switches and potentiometers
- With internal shunt calibration resistor of 120 kohms
- Direct connection to PLC, display unit, industrial instrumentation, chart recorder or computer

| Specifications                             | COND-SGA-A                                  | COND-SGA-D                                  |                |
|--|---|---|----------------|
| Type                                       | Strain-gauge conditioner (mV/V)             | Strain-gauge conditioner (mV/V)             | -              |
| Input range                                | 0.1...30 mV/V                               | 0.1...30 mV/V                               | -              |
| Sensor excitation                          | 5 / 10 VDC (Zmin.: 85 ohms)                 | 5 / 10 VDC (Zmin.: 85 ohms)                 | -              |
| Non-linearity error                        | < 0.03                                      | < 0.03                                      | % F.S.*        |
| Low pass filter                            | 1...5000                                    | 1...5000                                    | Hz             |
| Bandwidth                                  | DC...6000                                   | DC...6000                                   | Hz             |
| Service temperature range                  | -10...+50                                   | -10...+50                                   | °C             |
| Storage temperature range                  | -20...+70                                   | -20...+70                                   | °C             |
| Temperature coefficient of the sensitivity | <± 0.07                                     | <± 0.07                                     | % F.S.* / 10°C |
| Temperature coefficient of zero signal     | <± 0.02                                     | <± 0.02                                     | % F.S.* / 10°C |
| Power supply                               | 110...230 VAC / 18...24 VDC                 | 18...24 VDC**                               | -              |
| Output tension                             | 0...10 / -10...0...+10 (load R. >= 5 kohms) | 0...10 / -10...0...+10 (load R. >= 5 kohms) | V              |
| Output current                             | 0...20 / 4...20 (load R. <= 500 ohms)       | 0...20 / 4...20 (load R. <= 500 ohms)       | mA             |
| IP rating                                  | IP67  | IP67  | -              |

\*F.S. : Full Scale.

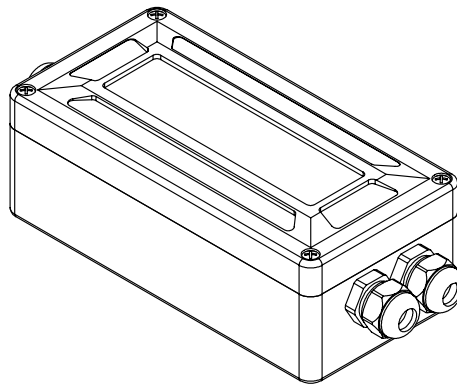
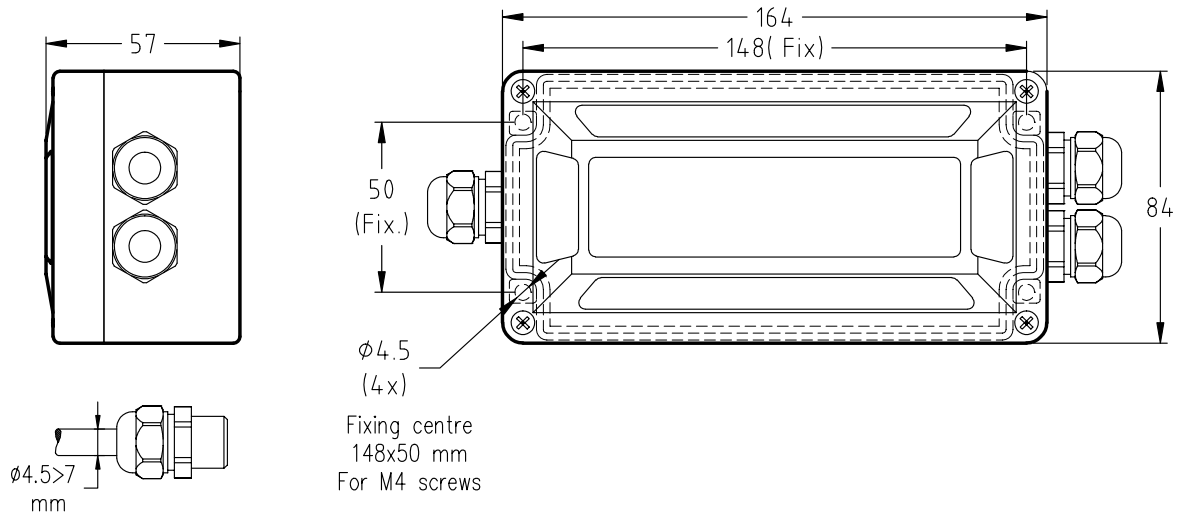
\*\* : Power supply 9...36 VDC available on request.

Specifications subject to change without notice.



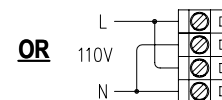
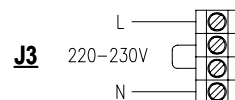
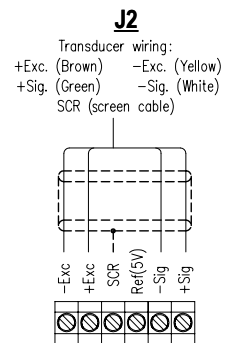
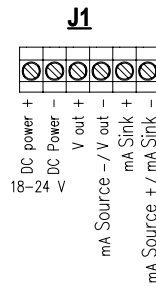
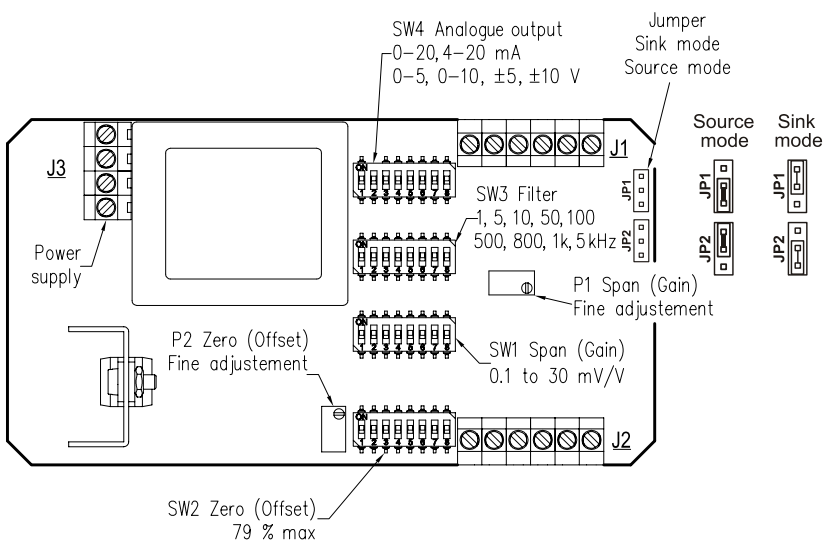
ISO 9001 certified

COND-SGA-A > STANDARD DIMENSIONS

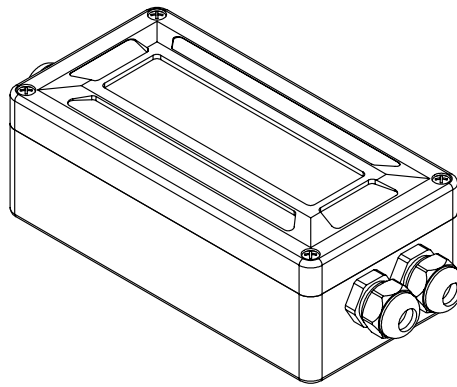
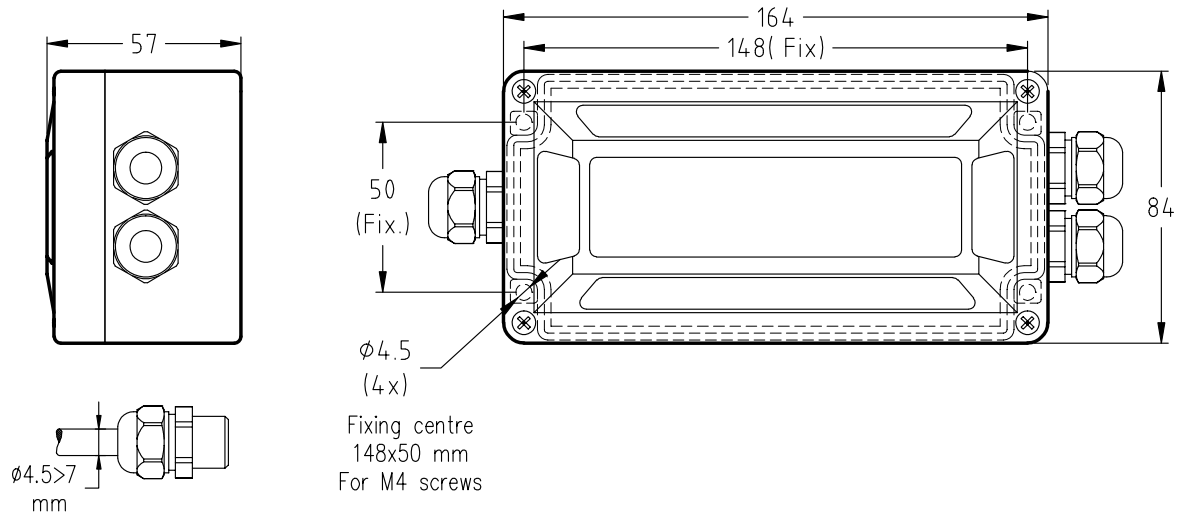


Dimensions in mm

Terminals



COND-SGA-D > STANDARD DIMENSIONS



Dimensions in mm

Terminals

