

## WI-T24RE-AO1

## WIRELESS ANALOGUE OUTPUT RECEIVER MODULES

WI-T24RE-AO1 and WI-T24RE-AO1I convert data from a WI-T24TR-ACM module into an analogue output.



WI-T24RE-AO1



### Features

- o Voltage and current output
- o Frequency: 2.4 GHz
- o Licence: exemption
- o Up to 2000 updates / s
- o High accuracy
- o High resolution
- o Industrial (WI-T24RE-AO1I) and desktop (WI-T24RE-AO1) versions available

### Application(s)

SENSY's WI-T24RE-AO1 and -AO1I are perfectly designed for the following applications:

- Reception of an analogue signal transmitted by a load cell with WI-T24TR-ACM option,
- Wireless reception of a process signal (4...20 mA or 0..10 V) from mobile equipment.

### Function(s)

- One to one transmission
- WI-T24RE-AO1 and WI-T24RE-AO1I provide both output signals:
  - o Voltage: 0..5 V, 0..10 V, -5..0..+5 V, -10..0..+10 V
  - o Current: 4..20 mA, 0..20 mA source and sink

Specifications	WI-T24RE-AO1 (V)	WI-T24RE-AO1 (mA)	WI-T24RE-AO1I (V)	WI-T24RE-AO1I (mA)	
Non-linearity error	± 0.01	± 0.02	± 0.01	± 0.02	% F.S.*
A/D converter	16 bits	16 bits	16 bits	16 bits	-
Internal resolution	65 000 div.	65 000 div.	65 000 div.	65 000 div.	-
Output signal	0...10 V, ± 10 V**	4 (0)...20 mA	0...10 V, ± 10 V**	4 (0)...20 mA	-
Load resistance	>= 5000	<= 500	>= 5000	<= 500	ohm(s)
Range	Up to 100 m	Up to 100 m	Up to 800 m	Up to 800 m	-
Service temperature range	-20...+55	-20...+55	-20...+55	-20...+55	°C
Storage temperature range	-40...+85	-40...+85	-40...+85	-40...+85	°C
Temperature coefficient of the sensitivity	± 0.15	± 0.3	± 0.15	± 0.3	% F.S./10°C
Temperature coefficient of zero signal	± 0.15	± 0.2	± 0.15	± 0.2	% F.S./10°C
Power supply	9...32 VDC	9...32 VDC	9...32 VDC	9...32 VDC	-
Consumption	100 mA (typ.)	100 mA (typ.)	100 mA (typ.)	100 mA (typ.)	-
IP rating	IP50	IP50	IP67	IP67	-

\*F.S. : Full Scale.

\*\* : 0...5 V, ±5 V also available.

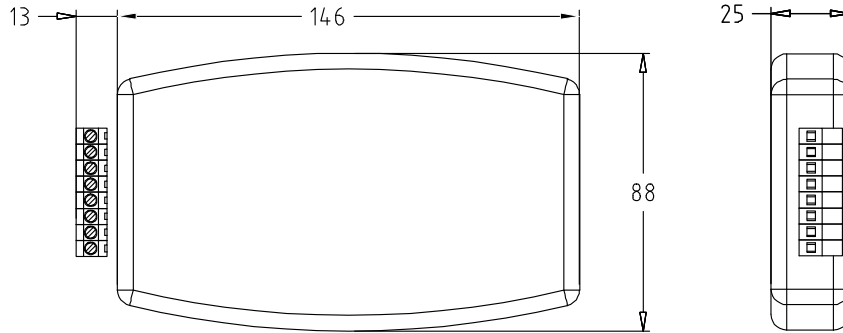
Specifications subject to change without notice.



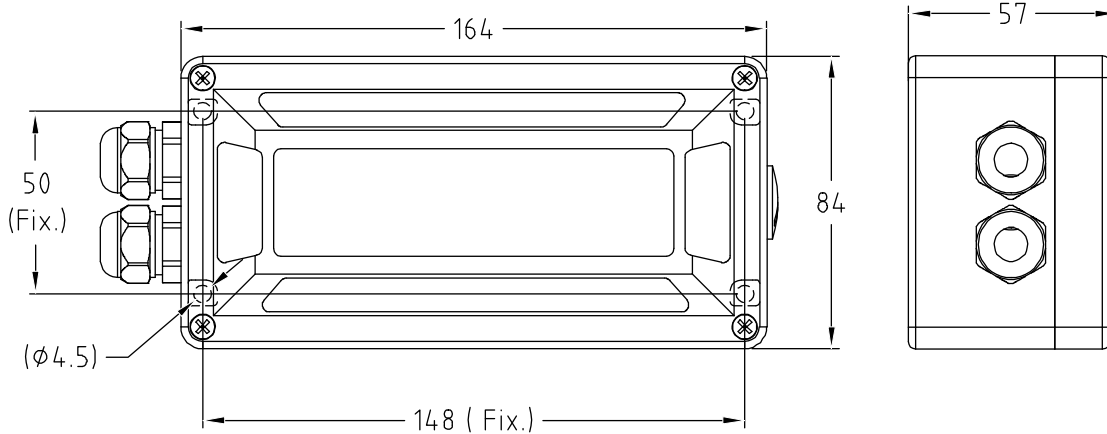
ISO 9001 certified

WI-T24RE-AO1 > STANDARD DIMENSIONS

Desktop version (WI-T24RE-AO1)

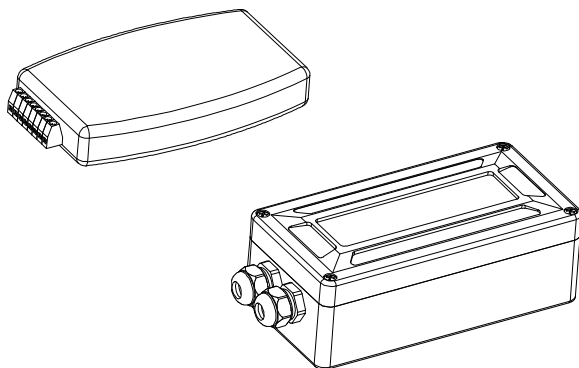


Industrial version (WI-T24RE-AO1I)



Dimensions in mm

Other views



Terminals

