

ACCESSORY | MANIFOLDS

Product No.: OQ-MAN-I / OQA-UMK-I



PRODUCT DESCRIPTION

On most equipment inspection ports provide a suitable location for an OQSx-G2 sensor installation. However where such a port is not appropriate due to there not being a port or incorrect orientation such that the sensor head is not immersed in oil, then Tan Delta provides a range of standard and custom designed manifolds suitable for any application that facilitate simple, reliable and robust installation of an OQSx-G2 oil condition sensor on any equipment.

KEY FEATURES

• FLEXIBLE SOLUTION

Allowing quick and simple installation on any piece of equipment whether brand new or being installed as part of a retrofit

• OFF THE SHELF

Off the shelf manifolds to fit the vast majority of equipment for quick and easy installation.

• INSTALLATION KITS

For many common engines we build installation kits to give your engineers everything they need for a successful implementation.

• BESPOKE SERVICE

On the very rare occasion we face a unique challenge for fitting our sensors, we offer a full bespoke design service to cost effectively overcome any obstacles to installation.

• OIL FILTER READY

With our innovative oil filter adapter design we can retrofit your equipment in a few minutes.

BENEFITS

Every equipment operator knows that machine monitoring enables effective management and thus increased reliability, efficiencies and profits. Oil condition monitoring with Tan Delta takes this to a new level through much greater insight into the real condition of your equipment, delivering significantly enhanced financial and operating benefits.

• FLEXIBLE

Flexible integration and customisation options for original equipment manufacturers.

• REDUCE SERVICE INTERVALS

Less maintenance and servicing means increased equipment availability and reduced costs.

• SIMPLE INSTALLATION

All of Tan Delta product are simple to configure and install. Long term maintenance free for continuous operation.

TECHNICAL DATA

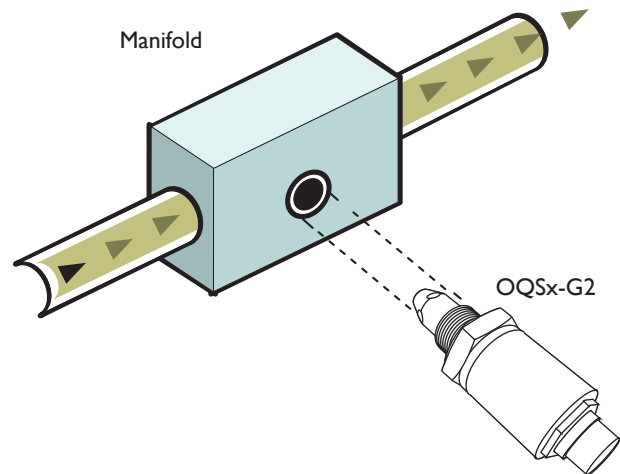
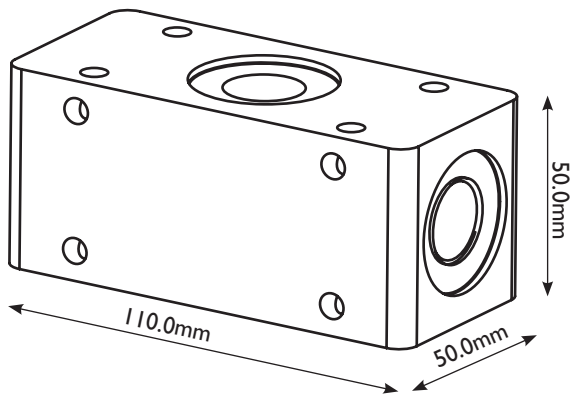
PRODUCT INFORMATION

Name	Full Flow Manifold
Product Number	OQ-MAN-1

PHYSICAL

Material	Aluminium
Weight	700g
Thread	1/2" BSPP Thread for sensor with 1/2" BSPP thread for connections (Customised sizes and form factors are available upon request)

DIMENSIONS, INSTALL & CONNECT



*OQSx-G2 sold separately

WHY TAN DELTA

Tan Delta's advanced real-time oil condition monitoring is used by equipment owners around the world to improve reliability and reduce costs. Our core FSH technology delivers exceptional real-time oil analysis and condition insight. From wind turbines and ships to mining trucks and railways, Tan Delta real-time oil condition monitoring solutions are proven to deliver substantial operational and financial benefits. Our products are easy to install and use on any equipment and are fully supported by our dedicated support team.



Tan Delta provide OEM equipment manufacturers with fully customised integrated and cost optimised solutions. Please contact us directly to discuss your oil condition requirements.