

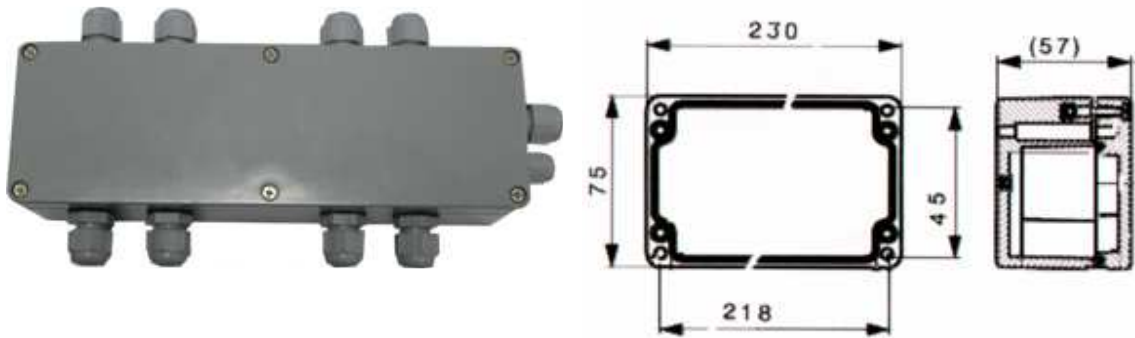
Junction box CJ8



APPLICATION

: Junction box to interconnect the load cells and the display.

DESIGN



Dimensions In mm

Includes : Mechanized box with 8 inputs PG9, 1 output PG9 & 1 output PG7. Junction board to adjust the 8 cells output, 65 metallic endings for cables, 1 cable with ground terminal, 1 connections squematic, 1 anti-humidity bag, 3 covers PG9, 4 fixing screws M4x12 stainless steel and 1 small screwdriver.

CHARACTERISTICS

8 inputs with watertight system PG9 for the cells cable.

1 output with watertight system PG9 for the connection cable to the weight indicator.

1 output with watertight system PG7 for the ground cable to connect the scale chassis.

Net weight 835 gr. Gross weight 910 gr.

The box is made of polyester which is reinforced by fiber glass and provided with adequate watertight systems for the cable inputs and the watertight joint of the cover. The system offers an IP68 protection that permits its properly performance in extremely humid and corrosive environments. The lock screws of the cover are made of stainless steel.

SPECIFICATIONS

Material:	Polyester reinforced by fiber glass
Color surface:	Natural grey
Watertight joint:	Silicon rubber
Cover fixing:	Stainless steel nut M4
Box fixing:	Drill holes M4
Protection category:	IP 68
Shock resistance:	7 Nm.
Temperatures:	- 40 + 130 °C
Inflammability:	UL94 V-O
Toxicity:	Free from Cd & halogens

CONNECTIONS

