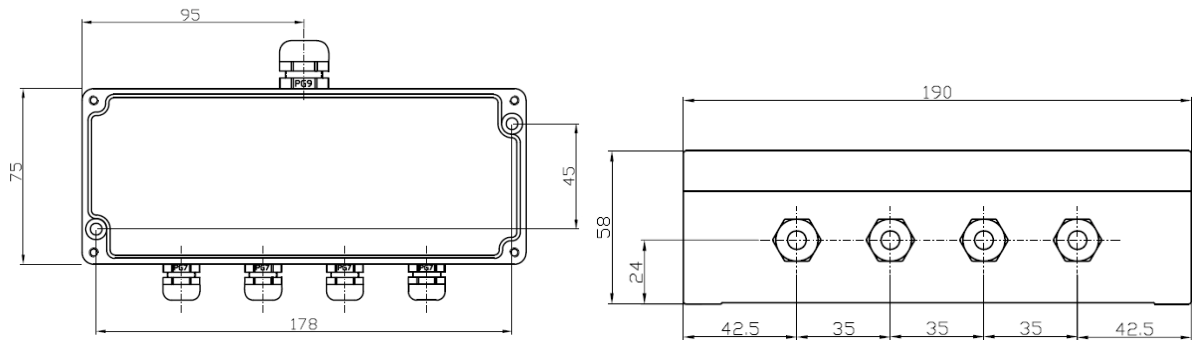
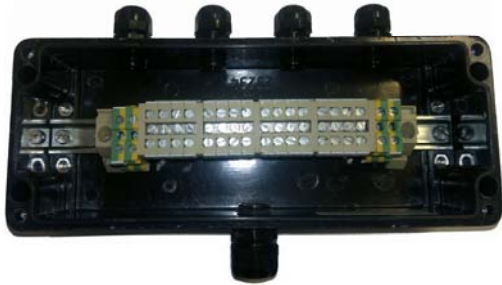


Junction Box CJ4Atex



APPLICATION: Junction box Atex for connection up to 4 load cells and indicator.

DESIGN



Dimensions in mm

CHARACTERISTICS

Machined aluminum box with 4 Inputs with watertight pass-through PG7 and 1 Indicator Output with watertight pass-through PG9.

Explosion protection Ex II 2 G/D EEx e II IP 66.

Temperatura Range: -20°C to +40°C

CONNECTIONS

