

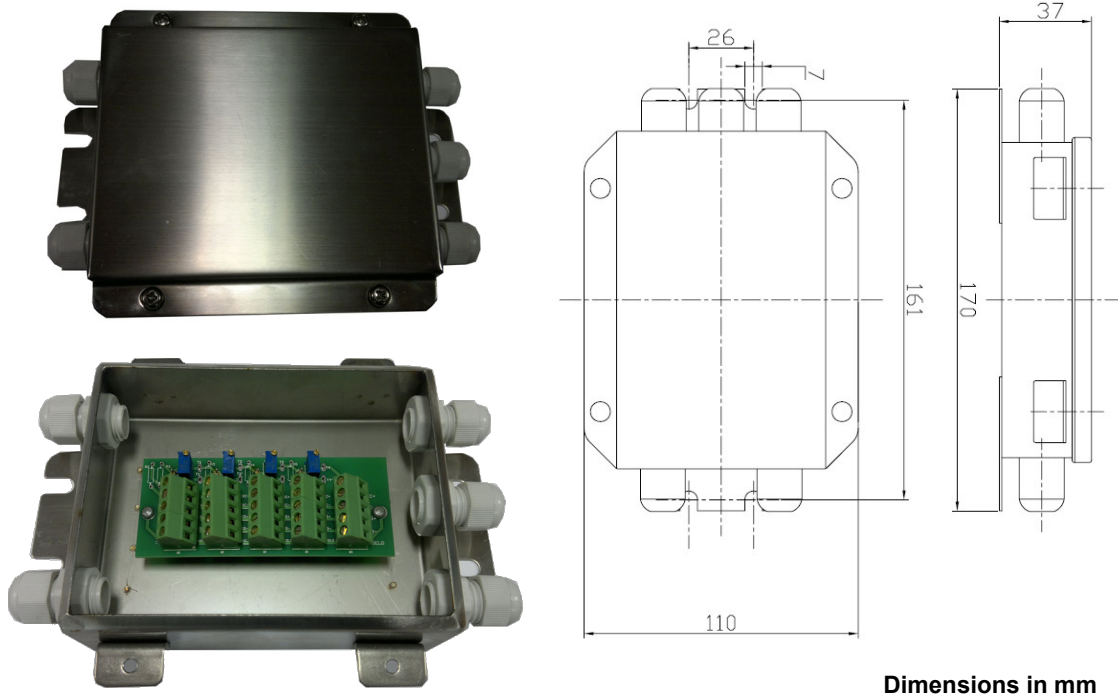
Junction box I-CJ4



APPLICATION

: Serial junction box to interconnect up to 4 load cells from 350Ω to 1000Ω and the display.

DESIGN



Dimensions in mm

CHARACTERISTICS

- Box in stainless steel.
- Plate joints filled with silicone.
- IP67 protection.
- Regulation by multiturn potentiometer which is serial connected.
- Range of the potentiometer:
 - For 305Ω load cell 5%
 - For 700Ω load cell 3%
 - For 1000 Ω load cell 2%
 - Operating temperature -40 ~130°C
 - Relative humidity <85% RH

Includes :
 Stainless steel mechanized box with 4 entries with watertight pass-through PG9 and 1 output to display with watertight pass-through PG9.
 Adaptive covers for load cells cables are included from 4,5 mm diameters on.

CONNECTIONS

GND = \perp
 IN- = OUT-
 IN+ = OUT+
 E- = V-
 E+ = V+

