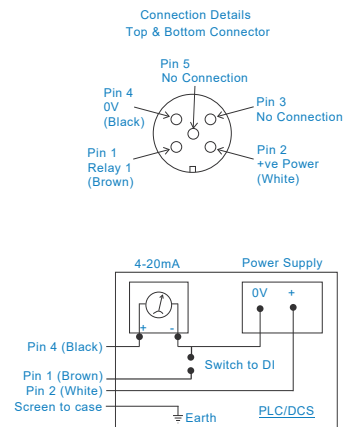
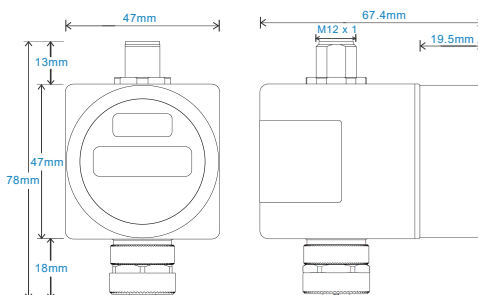


# HS-517I Intrinsically Safe Vibration Trip Display

## with LED display

### Key Features

- Fully configurable
- Relay Function
- 4 Digit LED Display
- Suitable for HS-420I & HS-422I Series
- Display turns 330°
- Connector turns 300°



### Technical Performance

Input/Output	4-20mA from HS-420I or HS-422I
Output	Sensor Signal + Relay (when configured)
Power Requirements	16 to 28 VDC (HS-570 Power Supply Module)
Maximum Current	93 mA (refer to electrical parameters)
Display Range Options	1- Programmable, Unit selectable via Front Sticker
Display	4 digit (Red LED)
Relay Reset	Auto Reset Hysteresis
Relay Default Setting	80% Relay, 75% Reset

### Mechanical

Case Material	Polycarbonate
Connections	4 Pin M12 Input and Output
Weight	150 gms (nom)
Screened Cable Assembly	HS-AC010 - straight HS-AC011 - right angle

### Electrical

Set Points	PNP Relay (button panel programmable)
Relay Rating	1,25 Amps at 2 Volts DC
Relay Status	N/O or vN/C Latching / Non Latching
Relay Delays	Up to 100 secs
Output	4-20 mA Signal from Sensor HS-420I or HS-422I Relay (when configured)
Input	4-20 mA from HS-420I or HS-422I Series

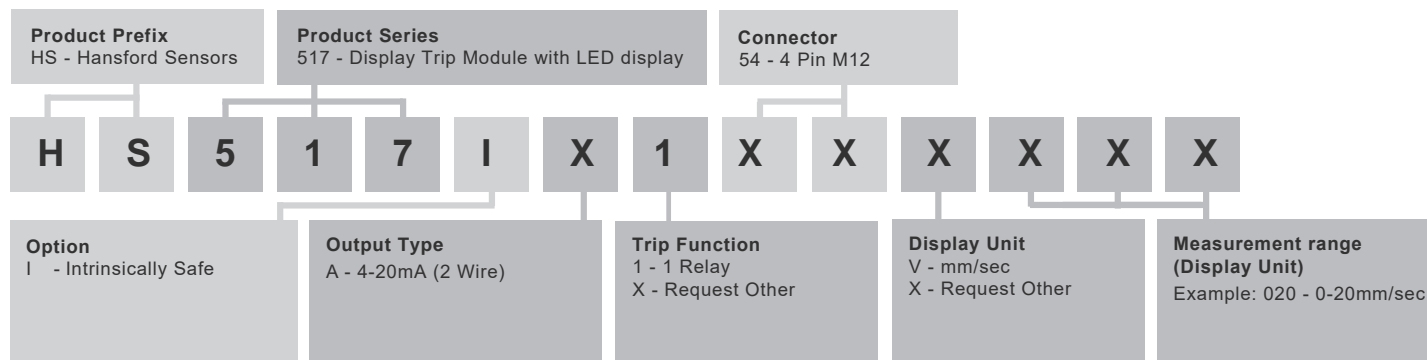
### Environmental

Operating Temperature Range	see: attached certification details
EMC	2014/30/EU
Shock Resistance	100g / 11ms
Sealed	IP65

### Intrinsically Safe Requirements

Certifications		Terminal Parameters	U <sub>i</sub> = 28V, I <sub>i</sub> = 93mA, P <sub>i</sub> = 660mW C <sub>i</sub> ≈ 0 nF, L <sub>i</sub> ≈ 0 μH Group II
Certificate details: Group II	 Ex ia IIC T4 Gb (-25°C ≤ Ta ≤ +70°C)	Barrier	MTL 7787+ P&F 787
System Certificate	IBEXU21ATEX1064 X		

### How To Order



[www.hansfordsensors.com](http://www.hansfordsensors.com)  
[sales@hansfordsensors.com](mailto:sales@hansfordsensors.com)

We reserve the right to alter the specification of this product without prior notice  
TS1139.3

