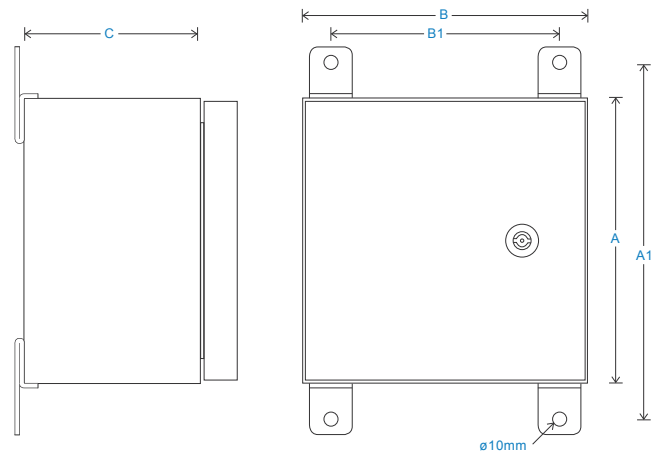


HS-CE-M Connection Enclosure

Painted Mild Steel

Key Features

- Provides a terminal to take readings from accelerometers via a portable data-collector
- Multiple outputs via multiple connectors



dimensions to be specified in 'how to order' table

Technical Performance

Inputs	Via accelerometer	Door	Twist Handle
Output	BNC as standard (TNC as alternative)	Glanding	Glands supplied but not fitted
Mounting Board	PCB Panel		Holes are punched for:
Material	Mild Steel painted		Single input M12 - \varnothing 3.5-7mm cable
	RAL 7042 as standard		Single input M20 - \varnothing 7-13mm multi-core cable
Dimensions	see: 'How To Order' table		Multi input M20 - 3 x \varnothing 5.3mm
Sealing	IP66	Labelling	Channel locations - other
Termination	Klippon Type	Mounting	labelling available upon request
		EMC	supplied are 4 x Brackets
			EN61326-1:2013

How To Order

