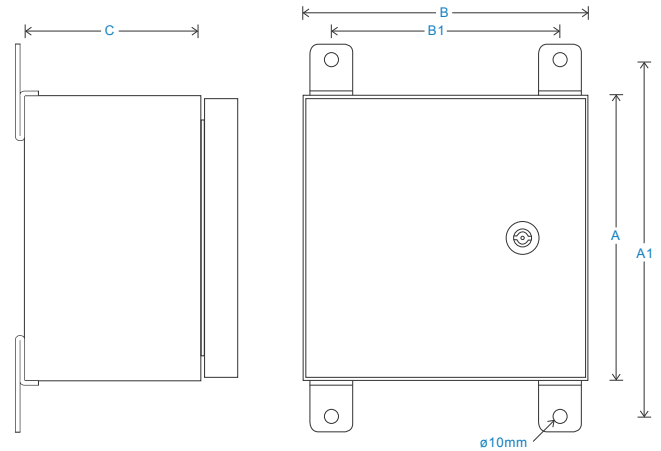


HS-CE-SSM Connection Enclosure

Stainless Steel

Key Features

- Provides a terminal to take readings from accelerometers via a portable data-collector
- Multiple outputs via multiple connectors

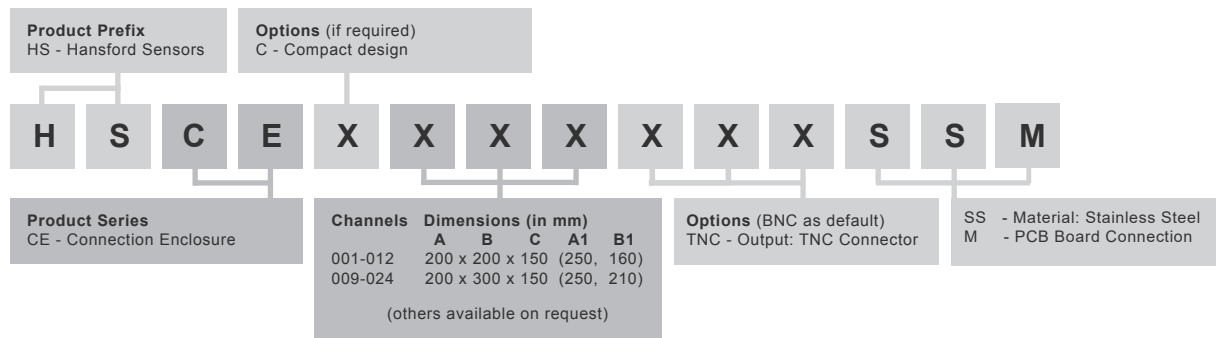


dimensions to be specified in 'how to order' table

Technical Performance

Inputs	Via accelerometer	Door	Lock and polyamide key
Output	BNC as standard (TNC as alternative)	Glanding	Glands supplied but not fitted
Mounting Board	PCB Panel		Holes are punched for:
Material	304 Stainless Steel		Single input M12 - ø3.5-7mm cable
Dimensions	see: 'How To Order' table		Single input M20 - ø7-13mm multi-core cable
Sealing	IP66		Multi input M20 - 3 x ø5.3mm
Termination	Klippon Type	Labelling	Channel locations - other labelling available upon request
		Mounting	supplied are 4 x Brackets
		EMC	EN61326-1:2013

How To Order



www.hansfordsensors.com
sales@hansfordsensors.com



We reserve the right to alter the specification of this product without prior notice
TS110.4