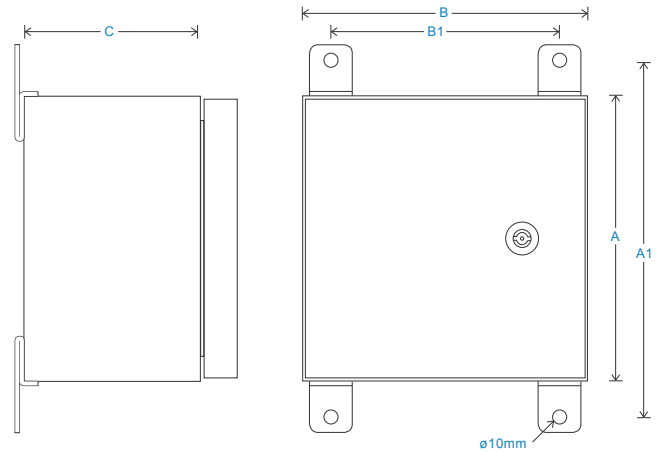
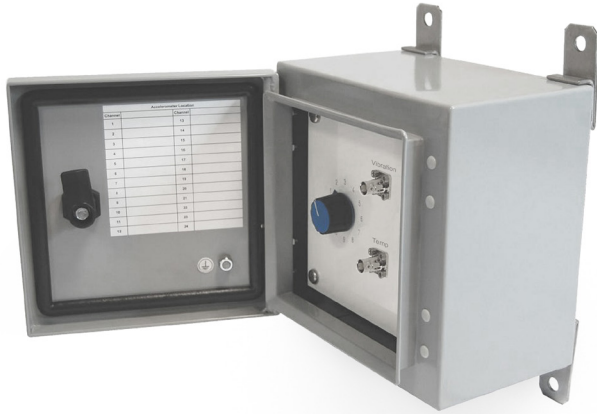


# HS-SE-DT Switching Enclosure

Painted Mild Steel - vibration and temperature output

## Key Features

- Provides a terminal to take readings from accelerometers via a portable data-collector
- Dual output for vibration and temperature
- Multiple outputs via one connector



dimensions to be specified in 'how to order' table

## Technical Performance

Inputs	Via dual output vibration and temperature accelerometer	Termination	Din rail terminals wired to switch
Output	BNC as standard (alternatives can be specified in 'How To Order' table)	Door	Twist Handle
Mounting Board	Engraved traffolyte panel (customisable upon request)	Glanding	Glands supplied but not fitted Holes are punched for: Single input M12 - $\varnothing$ 3.5-7mm cable Single input M20 - $\varnothing$ 7-13mm multi-core cable Multi input M20 - 3 x $\varnothing$ 5.3mm
Material	Mild Steel painted RAL 7042 as standard (alternatives can be specified in options of 'How To Order' table)	Labelling	Channel locations - other labelling available upon request
Dimensions	see: 'How To Order' table	Mounting	supplied are 4 x Brackets
Sealing	IP66	EMC	EN61326-1:2013

## How To Order

