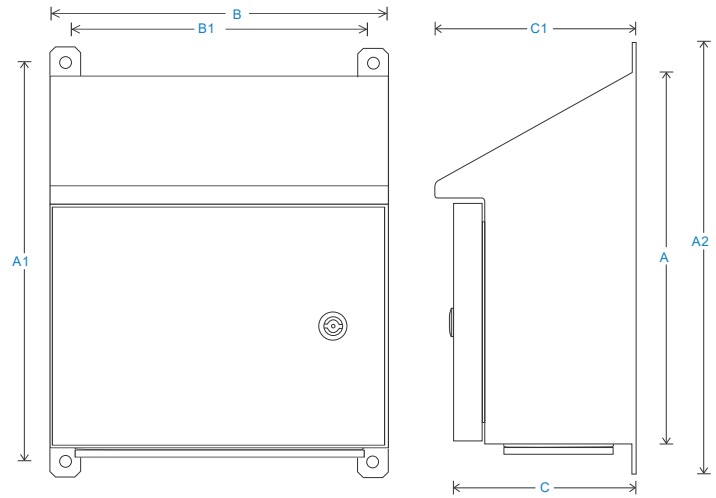


HS-SE-SRM Switching Enclosure

Stainless Steel with protective roof

Key Features

- Protective roof to stop dust and dirt settling
- BNC and 2 Pin MS output
- Provides a terminal to take readings from accelerometers via a portable data-collector
- Multiple outputs via one connector
- Easy to install



Technical Performance

Inputs	Via accelerometer	Door	Lock and polyamide key
Output	BNC and 2 Pin MS as standard	Glanding	Glands supplied but not fitted
Mounting Board	PCB Panel		Holes are punched for:
	(customisable upon request)		Single input M12 - \varnothing 3.5-7mm cable
Material	304 Stainless Steel (to be specified in options of 'How To Order' table)		Single input M20 - \varnothing 7-13mm multi-core cable
			Multi input M20 - 3 x \varnothing 5.3mm
Dimensions	see: diagram	Labelling	Channel locations - other labelling available upon request
Termination	Spring-loaded terminal (no screwdriver required)	Mounting	supplied are 4 x Brackets
Sealing	IP66	EMC	EN61326-1:2013

How To Order

