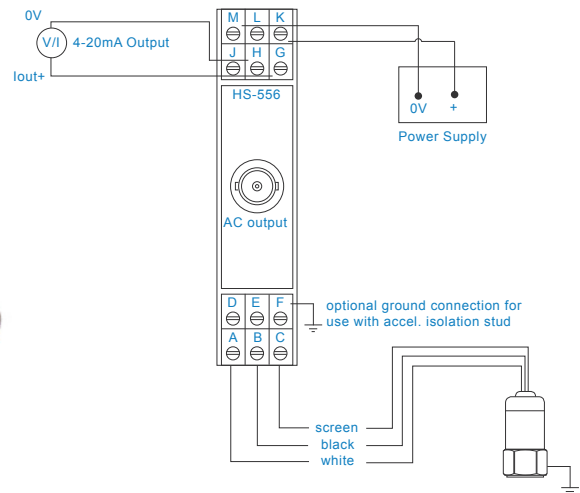


# HS-556 Vibration Module

4-20mA output

## Key Features

- Industrial Accelerometer input
- 4-20mA Velocity or 'g' output
- Low pass filter
- Din Rail Mounted
- Buffered Accelerometer output (for data collection) via BNC



## Technical Performance

Input	100 mV/g constant current accelerometer (other sensitivities available)
Acceleration Range or Velocity Range	To be specified
Frequency Range	2 Hz to 10 kHz (-3 dB) - ISO 10816
Filters	Velocity version: 10 Hz to 1 kHz (-3dB) 2-pole Butterworth 'g' version: 10 Hz to 5 kHz (-3dB) 2-pole Butterworth

## Mechanical

Case Material	Plastic
Mounting	DIN Rail TS35 (Top Hat)
Dimensions	120 x 75 x 23 mm (HxDxW) including BNC
Connections	Screw Clamp
Conductor Size	0.5 to 4.0 mm
Weight	80 gms (nom)

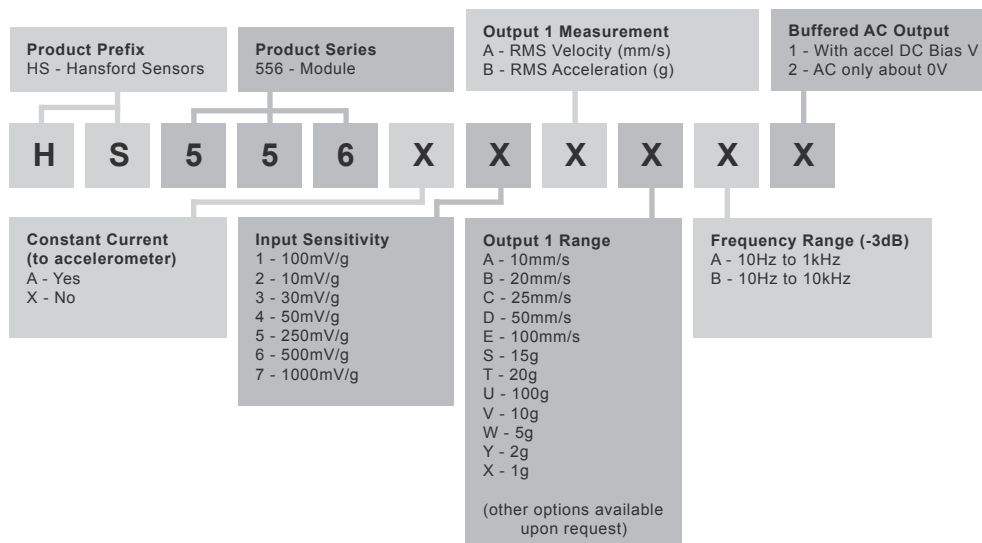
## Electrical

Power Input	24 V DC @ 50 mA (from HS-570 Power Supply Module)
Output 1	Velocity version: 4-20 mA = 0-25 mm/s rms 'g' version: 4-20 mA = 0-5 g rms Max. load resistance = 500 Ohms
Output 2	Buffered accel. Output with DC bias voltage (nom 12 VDC) AC only about 0 V on request

## Environmental

Operating Temperature Range	0 to 55 °C
Installation Category (IEC664)	II
Equipment Class (IEC536)	III
EMC	EN61326-1:2013

## How To Order



[www.hansfordsensors.com](http://www.hansfordsensors.com)  
[sales@hansfordsensors.com](mailto:sales@hansfordsensors.com)

We reserve the right to alter the specification of this product without prior notice  
TS069.9

